

HAYBUSTER®



Operating Instructions and Parts Reference

2564™

BALEBUSTER

SERIAL NUMBER FJ053164 AND UP

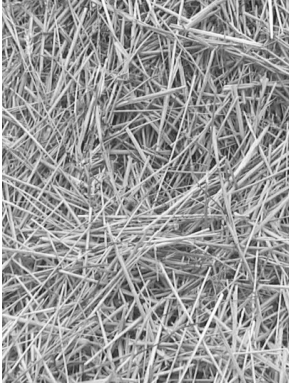


PRODUCT INFORMATION

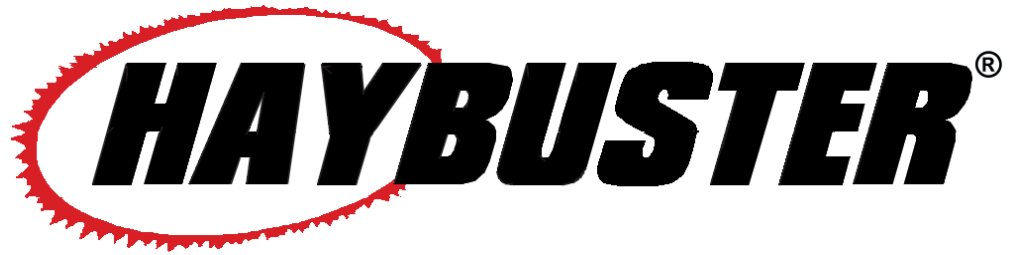
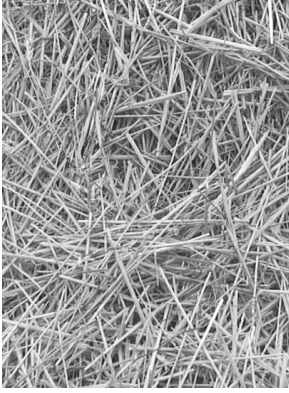


0500128 • SEPTEMBER 2018

DURATECH INDUSTRIES INTERNATIONAL INC.
PO BOX 1940, JAMESTOWN, ND 58402-1940
TEL: (701) 252-4601 • FAX: (701) 252-0502
WWW.DURATECHINDUSTRIES.NET • WWW.HAYBUSTER.COM



HAYBUSTER[®]
A Tradition of Innovation Since 1966



2564TM



BALEBUSTERTM

SERIAL NUMBER FJ053164 AND UP

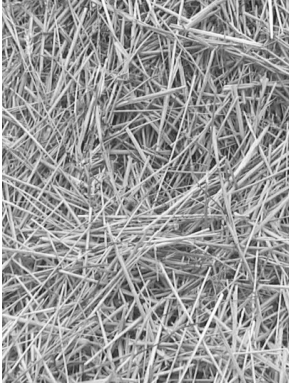
Operating Instructions and Parts Reference

DuraTech Industries International Inc.(DuraTech Industries) has made every effort to assure that this manual completely and accurately describes the operation and maintenance of the 2564TM BALEBUSTERTM as of the date of publication. DuraTech Industries reserves the right to make updates to the machine from time to time. Even in the event of such updates, you should still find this manual to be appropriate for the safe operation and maintenance of your unit.

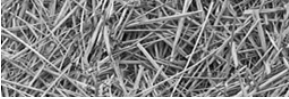
This manual, as well as materials provided by component suppliers to DuraTech Industries are all considered to be part of the information package. Every operator is required to read and understand these manuals, and they should be located within easy access for periodic review.

 **DURATECH**[®] &  are registered trademarks of Duratech Industries International, Inc. 2564 and Balebuster are trademarks of Duratech Industries International, Inc.

STRAW CANNON[®] and logo are registered trademarks of Duratech Industries International, Inc.



HAYBUSTER[®]
A Tradition of Innovation Since 1966



Foreword

All personnel must read and understand the following sections before operating the *BALEBUSTER™*.

- Section 2, "Dealer Preparation," to verify that the machine has been prepared for use.
- Section 3, "Operation," which explain normal operation of the machine.
- Foreword and Section 1, important safety information.
- Section 3.1, "Pre-Operation Inspection".

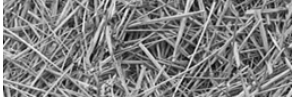
Appropriate use of unit

Your model 2564™ *BALEBUSTER™* is designed to load and shred most types of baled livestock forage. It is designed specifically for use on 6 foot. diameter round bales weighing up to 2,000 pounds and 5-1/2 feet in length

To avoid possible damage to the machine and risk of injury to the operator, consult with a DuraTech representative before attempting to shred materials other than livestock forage.

The *BALEBUSTER* has multiple uses:

- Laying forage windrows in open fields.
- Filling feed bunks - fenceline, circular etc.
- Spreading straw for livestock bedding.
- Spreading mulch over perennial plants, such as strawberries, mushrooms, etc.
- Spreading mulch over reclaimed land areas.
- Spreading mulch over sugar beets for storage.



Operator protection

As with all machinery, care needs to be taken in order to insure the safety of the operator and those in the surrounding area.



WARNING: The **OPERATOR IS RESPONSIBLE** for the safety of the operator and those in the surrounding area. Operators of the **BALEBUSTER** are required to wear head, eye, and ear protection, No loose clothing is allowed.

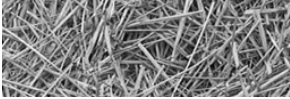


TABLE OF CONTENTS

Part 1: Operating Instructions 1

Introduction 2

Appropriate use of unit 2

Purpose 2

How to use this manual 3

Section 1: Safety..... 4

 1.1 Safety-alert symbols 4

 1.2 Operator - personal equipment..... 6

 1.3 Machine safety labels 7

 1.4 Shielding..... 9

 1.5 Personal equipment 9

 1.6 Safety review 9

 1.7 Towing/road transport 11

Section 2: Dealer preparation 12

 2.1 Assembly required..... 12

 2.2 Pre-delivery inspection..... 12

 2.3 Machine operation check..... 13

 2.4 Loader tines..... 14

Section 3: Operation 15

 3.1 Pre-operation inspection 16

 3.2 Introduction to the machine 17

 3.2.1 Operator controls..... 17

 3.2.2 Bale conveyor..... 17

 3.2.3 Rotor..... 17

 3.2.4 Auger 18

 3.2.5 Slug bars 18

 3.2.6 Screen..... 18

 3.2.7 Fan..... 18

 3.2.8 Discharge spout and deflector 18

 3.3 Machine Operation & Adjustments..... 19

 3.3.1 Tractor Set Up 19

 3.3.2 Hitching the BALEBUSTER to a tractor..... 20

 3.3.3 Starting the machine..... 20

 3.3.4 Normal shut-down procedure..... 21

 3.3.5 Unhitching the BALEBUSTER from a tractor 21

 3.3.6 P.T.O. Shield..... 22

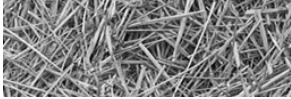


TABLE OF CONTENTS

3.3.7 Conveyor Chain Adjustment	23
3.3.8 Chain Case Adjustments.....	23
3.3.9 Slugbar Adjustment	24
3.3.10 Clean Out Door.....	24
3.3.11 Flails.....	25
3.3.12 Loader	25
3.3.13 Loading the bale	27
3.3.14 Operating the machine.....	28
3.3.15 Loader Transport Pin	28
3.3.16 Hydraulic Cylinder and Valve	28
3.3.17 Tires and Rims.....	29
3.3.18 Rack.....	29
3.3.19 Jack	29
3.3.20 Hooking up hydraulic control box and hydraulics to tractor.....	30
3.4 Adjusting the machine	31
3.4.1 Changing the output distribution pattern	31
3.4.2 Changing length of cut	32
3.4.3 Changing screens.....	32
3.4.4 Adjusting the bale conveyor speed	32
3.4.5 Changing the slug bar settings.....	33
3.5 Road transport	33
3.5.1 Preparing the BALEBUSTER for transport	33
3.5.2 Changing Back To Operate.....	34
3.6 Storage.....	34
3.6.1 Preparing the machine for storage	34
3.6.2 Removing the machine from storage.....	35
Section 4: General maintenance	36
4.1 Lubrication	36
4.1.1 LUBRICATION POINTS.....	36
4.2 Axle, wheels, tires	40
4.3 Conveyor chain tension	40
4.4 General appearance	40
Section 5: Troubleshooting.....	41
Appendix A: WARRANTY.....	42
Appendix B: 2564 BALEBUSTER Specifications	43

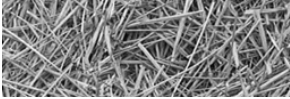
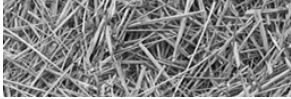
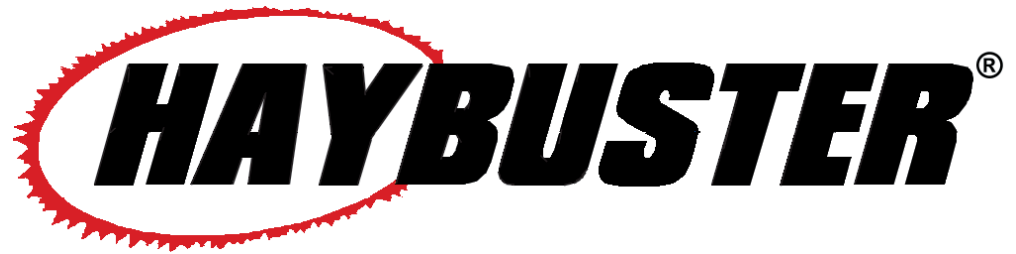
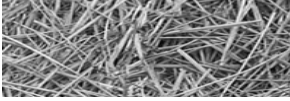


TABLE OF CONTENTS

Appendix C: Options	44
Appendix D: Required For Operation	45
Appendix E: 2564 BALEBUSTER SHIPPING LIST	46
Part 2: Parts Reference	47
MAIN FRAME ASSEMBLY (S.N. UP TO 0640)	48
MAIN FRAME ASSEMBLY (S.N. 0641 AND UP).....	50
STANDARD DRIVE LINE ASSEMBLY.....	52
OPTIONAL DRIVE LINE ASSEMBLY	54
PTO ASSEMBLY	56
3600672 PTO - OPTIONAL THRU S.N. 0940	58
3600779 PTO - WWCV EQUAL ARM - OPTIONAL S.N. 0941 AND UP	59
FAN ASSEMBLY	60
CHAIN CASE ASSEMBLY (S.N. UP TO 0640).....	62
CHAIN CASE ASSEMBLY (S.N. 0641 AND UP).....	64
SHREDDER ASSEMBLY FRONT (THRU S.N. 10089064).....	68
SHREDDER ASSEMBLY FRONT (S.N. 10089164 & UP)	70
SHREDDER ASSEMBLY - SHIELDS, DOOR, & SCREEN (S.N. UP TO 0640)	72
SHREDDER ASSEMBLY - SHIELDS, DOOR, & SCREEN (S.N. 0641 THRU S.N. 10089064)	74
SHREDDER ASSEMBLY - SHIELDS, DOOR, & SCREEN (S.N. 10089164 & UP).....	76
ROTOR AND AUGER ASSEMBLY (S.N. UP TO 0640).....	78
ROTOR AND AUGER ASSEMBLY (S.N. 0641 AND UP).....	80
SLUG BAR ASSEMBLY.....	82
CONVEYOR ASSEMBLY (THRU S.N. 10089064)	84
CONVEYOR ASSEMBLY (S.N. 10089164 THRU 12101564).....	86
CONVEYOR ASSEMBLY (S.N. 13101664 & UP)	88
RACK ASSEMBLY	90
LOADER ASSEMBLY	92
WHEEL AND BEARING ASSEMBLY (THRU S.N. IJ084-064)	94
WHEEL AND BEARING ASSEMBLY (S.N. 10084164 THRU 15131564).....	96
WHEEL AND BEARING ASSEMBLY (S.N. 16131664 AND UP).....	98
2564 HYDRAULIC SCHEMATIC - 3 SPOOL VALVE	100
2564 HYDRAULIC SCHEMATIC - 4 SPOOL VALVE	101
2564 ELECTRICAL SCHEMATIC.....	102



HYDRAULICS ASSEMBLY (THRU S.N. 10089064).....	104
HYDRAULICS ASSEMBLY (S.N. 10084164 AND UP)	106
HYDRAULICS ASSEMBLY WITH BUNK CONVEYOR OPTION	108
HYDRAULIC VALVE - 4000344	110
HYDRAULIC VALVE - 4000479	112
HYDRAULIC VALVE - 4000344 WIRE LAYOUT	114
TRACTOR / IMPLEMENT WIRING HARNESS.....	116
57PB925 TAILLIGHT HARNESS	117
FLOW CONTROL VALVE (4000331).....	118
CONTROL PANEL ASSEMBLY& SWITCH BOX	120
JOYSTICK CONTROL BOX.....	122
ORBIT MOTOR ASSEMBLY	125
OPTIONAL COVERED SPOUT ASSEMBLY	126
OPTIONAL 5-1/2 FT. STRAW CANNON ASSEMBLY	128
ENCLOSED CURVED SPOUT	130
FLOTATION TIRE (OPTION).....	132
AXLE EXTENSIONS (OPTION)	134
OPTIONAL STATIONARY SLUG BAR ASSEMBLY	136
OPTIONAL SHREDDER EXTENSION ASSEMBLY	138
OPTIONAL FENDER ASSEMBLY.....	140
TAILLIGHTS - STANDARD MOUNTING	142
OPTIONAL TAILLIGHT - FENDER MOUNTING.....	144
OPTIONAL BUNK CONVEYOR	146
OPTIONAL SHREDDER EXTENSION KIT	148
OPTIONAL HYDRAULIC SLUG BAR.....	150
DECALS	152
DECAL LOCATIONS	154
2564 BALEBUSTER DOCUMENTATION COMMENT FORM.....	157

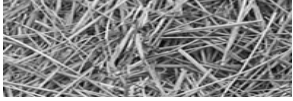


2564TM

BALEBUSTERTM

SERIAL NUMBER FJ053164 AND UP

**Part 1:
Operating Instructions**



Introduction

Appropriate use of unit

Your model 2564™ BALEBUSTER™ is designed to load and shred most types of baled livestock forage. It is designed specifically for use on 6 foot. diameter round bales weighing up to 2,000 pounds and 5-1/2 feet in length



NOTE: To avoid possible damage to the machine and risk of injury to the operator, consult with a DuraTech Industries International, Inc. (DuraTech Industries) representative before attempting to shred materials other than livestock forage.

The 2564 BALEBUSTER has multiple uses:

- Laying forage windrows in open fields.
- Filling feed bunks - fenceline, circular etc.
- Spreading straw for livestock bedding.
- Spreading mulch over perennial plants, such as strawberries, mushrooms, etc.
- Spreading mulch over reclaimed land areas.
- Spreading mulch over sugar beets for storage.

Purpose

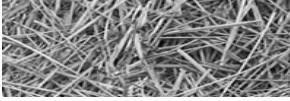
The purpose of this owner's manual is to explain maintenance requirements and routine adjustments for the most efficient operation of your 2564 BALEBUSTER. There is also a trouble shooting section that may help in case of problems in the field. Any information not covered in this manual may be obtained from your dealer.



SPECIAL NOTE: When reference is made as to front, rear, left hand, or right hand of this machine, the reference is always made from standing at the rear end of the machine and looking toward the hitch. Always use serial number and model number when referring to parts or problems. Please obtain your serial number and write it below for your future reference.

MODEL: 2564 BALEBUSTER

SERIAL NO. _____



How to use this manual

Manual organization

This manual is organized into the following parts:

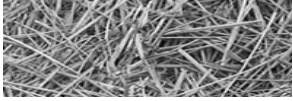
- Part 1: Operating instructions explain how to set up, use and maintain the 2564 BALEBUSTER.
- Part 2: Parts reference contains diagrams of each assembly, with the part number of each part. A key on the facing page contains a description of the part and the quantity used.

Dealer responsibilities

- Read Section 2, “Dealer Preparation,” and perform the tasks outlined. Also perform a pre-operation inspection as described in Section 3.1.
- Upon delivery of the unit to the customer, it is your responsibility to conduct a training session on the safe operation of the unit for the primary operator(s). You must also conduct a “walk-around” inspection of all safety instructional decals on the machine itself. Decals are illustrated in Part 2: Parts Reference.
- Complete and return the Warranty Registration Card. Receipt of this form is required to activate the warranty. Appendix A provides details of the warranty.

Operator responsibilities

- Operator is responsible for his safety.
- Operator is also responsible for safety of others near the machine.
- Review Section 2, “Dealer Preparation,” to verify that the machine has been prepared for use.
- Thoroughly review sections 1 and 3, which explain normal operation of the machine, and section 4, which explain maintenance requirements.
- Note the important safety information in the Foreword and in Section 1, “Safety.”
- Keep copies of all manuals in a readily -accessible location for future reference.
- Tractor is setup according to section 3.3.1 “tractor set-up”



Section 1: Safety

The safety of the operator is of great importance to DuraTech Industries/Haybuster. We have provided decals, shield and other safety features to aid you in using your machine safely. In addition, we ask you to be a careful operator who will properly use and service your Haybuster equipment.



WARNING: FAILURE TO COMPLY WITH SAFETY INSTRUCTIONS THAT FOLLOW WITHIN THIS MANUAL COULD RESULT IN SEVERE PERSONAL INJURY OR DEATH. BEFORE ATTEMPTING TO OPERATE THIS MACHINE, CAREFULLY READ ALL INSTRUCTIONS CONTAINED WITHIN THIS MANUAL. ALSO READ THE INSTRUCTION MANUAL PROVIDED WITH YOUR TRACTOR.

THIS MACHINE IS NOT TO BE USED FOR ANY PURPOSE OTHER THAN THOSE EXPLAINED IN THE OPERATOR'S MANUAL, ADVERTISING LITERATURE OR OTHER DURATECH INDUSTRIES WRITTEN MATERIAL PERTAINING TO THE 2564 BALEBUSTER.

1.1 Safety-alert symbols

Decals are illustrated in **Part 2: Parts Reference**.

The safety decals located on your machine contain important and useful information that will help you operate your equipment safely.

To assure that all decals remain in place and in good condition, follow the instructions below:

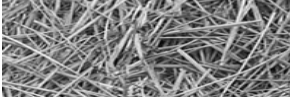
- Keep decals clean. Use soap and water - not mineral spirits, adhesive cleaners and other similar cleaners that will damage the decal.
- Replace all damaged or missing decals. When attaching decals, surface temperature of the machine must be at least 40° F (5° C). The surface must be also be clean and dry.
- When replacing a machine component to which a decal is attached, be sure to also replace the decal.
- Replacement decals can be purchased from your Haybuster dealer.

DuraTech Industries uses industry accepted ANSI or ASAE standards in labeling its products for safety and operational characteristics.



Safety-Alert Symbol

Read and recognize safety information. Be alert to the potential for personal injury when you see this safety-alert symbol.



DANGER: Indicates an imminently hazardous situation that, if not avoided, will result in death or serious injury. This signal word is to be limited to the most extreme situations, typically for machine components that, for functional purposes, cannot be guarded.

WARNING: Indicates a potentially hazardous situation that, if not avoided, could result in death or serious injury, and includes hazards that are exposed when guards are removed. It may also be used to alert against unsafe practices.

CAUTION: Indicates a potentially hazardous situation that, if not avoided, may result in minor or moderate injury. It may also be used to alert against unsafe practices.

This manual uses the symbols to the right to denote important safety instructions and information.

The **DANGER**, **WARNING** and **CAUTION** symbols are used to denote conditions as stated in the text above. Furthermore, the text dealing with these situations is surrounded by a box with a white background, will begin with **DANGER**, **WARNING**, or **CAUTION**.

The **INFORMATION** symbol is used to denote important information or notes in regards to maintenance and use of the machine. The text for this information is surrounded by a box with a light grey background, and will begin with either **IMPORTANT** or **NOTE**.



DANGER:
Signal word - White Lettering/Red Background
Safety Alert Symbol - White Triangle/Red Exclamation Point



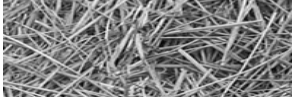
WARNING:
Signal word - Black Lettering/Orange Background
Safety Alert Symbol - Black Triangle/Orange Exclamation Point



CAUTION:
Signal word - Black Lettering/Yellow Background
Safety Alert Symbol - Black Triangle/Yellow Exclamation Point



	<p>1. Yellow warning triangle/black graphical symbol, indicates what the hazard is. Hazard Identification</p>
	<p>2. Red circle-with-slash/black graphical symbol indicates a prohibited action to avoid the hazard. Prohibited Action</p>
	<p>3. Blue mandatory action circles/white graphical symbol - indicates an action to take to avoid the hazard. Mandatory Action</p>



1.2 Operator - personal equipment

THE OPERATOR

Physical Condition

You must be in good physical condition and mental health and not under the influence of any substance (drugs, alcohol) which might impair vision, dexterity or judgment.

Do not operate a **2564 BALEBUSTER** when you are fatigued. Be alert - If you get tired while operating your **2564 BALEBUSTER**, take a break. Fatigue may result in loss of control. Working with any farm equipment can be strenuous. If you have any condition that might be aggravated by strenuous work, check with your doctor before operating

Proper Clothing



Clothing must be sturdy and snug-fitting, but allow complete freedom of movement. Avoid loosefitting jackets, scarfs, neckties, jewelry, flared or cuffed pants, unconfined long hair or anything that could become entangled with the machine.



Protect your hands with gloves when handling flail and sections. Heavyduty, nonslip gloves improve your grip and protect your hands.



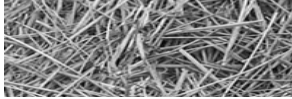
Good footing is most important. Wear sturdy boots with nonslip soles. Steel-toed safety boots are recommended.



To reduce the risk of injury to your eyes never operate a **2564 BALEBUSTER** unless wearing goggles or properly fitted safety glasses with adequate top and side protection.




Tractor noise may damage your hearing. Always wear sound barriers (ear plugs or ear muffers) to protect your hearing. Continual and regular users should have their hearing checked regularly.



1.3 Machine safety labels


The safety decals located on your machine contain important information that will help you operate your equipment. Become familiar with the decals and their locations.

 **DANGER: FLYING HAY, ROCKS, AND OTHER OBJECTS THROWN BY MACHINE.**

STAY CLEAR OF DISCHARGE SIDE OF MACHINE UNLESS OPERATOR HAS STOPPED TRACTOR ENGINE AND MACHINE HAS STOPPED ROTATING. FAILURE TO FOLLOW THESE INSTRUCTIONS MAY RESULT IN SEVERE PERSONAL INJURY OR DEATH.

<p>⚠ DANGER</p> 	<p>FLYING HAY, ROCKS, AND OTHER OBJECTS THROWN BY MACHINE.</p> <p>STAY CLEAR OF DISCHARGE SIDE OF MACHINE UNLESS OPERATOR HAS STOPPED TRACTOR ENGINE AND MACHINE HAS STOPPED ROTATING.</p> <p>FAILURE TO FOLLOW THESE INSTRUCTIONS MAY RESULT IN SEVERE PERSONAL INJURY OR DEATH.</p>
<p>⚠ PELIGRO</p> 	<p>LA PAJA, LAS PEORAS Y OTRAS COSAS TIRADAS POR LA MAQUINA.</p> <p>NO SE PARE JUNTO AL LADO DEPARADOR DE LA MAQUINA SI EL MOTOR ESTÁ EN MARCHA Y LAS PALETAS ESTÁN EN MOVIMIENTO.</p> <p>NO SIGUIR ESTAS INSTRUCCIONES PUEDE RESULTAR EN HERIDAS GRAVES E INCLUSO LA MUERTE.</p>


6500034

 **DANGER: ROTATING FLAILS CAN KILL OR DISMEMBER**

KEEP CLEAR OF MACHINE UNTIL POWER TAKE-OFF HAS BEEN DISENGAGED, TRACTOR ENGINE SHUT OFF AND FLAIL ROTATION STOPPED

<p>⚠ DANGER PELIGRO</p>	<p>ROTATING FLAILS CAN KILL OR DISMEMBER</p> <p>KEEP CLEAR OF MACHINE UNTIL POWER TAKE-OFF HAS BEEN DISENGAGED, TRACTOR ENGINE SHUT OFF AND FLAIL ROTATION STOPPED</p>	<p>LAS PALETAS EN MOVIMIENTO PUEDEN DESMEMBRAR E INCLUSO MATAR</p> <p>MANTENGA SU DISTANCIA HASTA QUE SE DESCONECTE LA TOMA DE FUERZA, EL MOTOR PARE Y LAS PALETAS DEJEN DE MOVERSE</p>
--------------------------------	---	--


6500035

 **DANGER: ROTATING DRIVELINE, KEEP AWAY! ENTANGLEMENT CAN CAUSE SERIOUS INJURIES OR DEATH.**

DO NOT OPERATE WITHOUT

- ALL DRIVELINE GUARDS, TRACTOR AND EQUIPMENT SHIELDS IN PLACE
- DRIVELINES SECURELY ATTACHED AT BOTH ENDS
- DRIVELINE GUARDS THAT TURN FREELY ON DRIVELINE

⚠ DANGER




Rotating Driveline Keep Away!
Entanglement can cause serious injuries or death.

Do Not Operate Without -

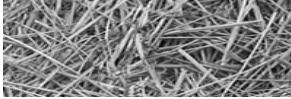
- All driveline guards, tractor and equipment shields in place.
- Drivelines securely attached at both ends.
- Drivelines guards that turn freely on driveline.

6500085

 **WARNING: FOR YOUR PROTECTION KEEP ALL SHIELDS IN PLACE AND SECURED WHILE MACHINE IS OPERATING MOVING PARTS WITHIN CAN CAUSE SEVERE PERSONAL INJURY.**

<p>⚠ WARNING</p>	<p>⚠ ADVERTENCIA</p>
<p>FOR YOUR PROTECTION KEEP ALL SHIELDS IN PLACE AND SECURED WHILE MACHINE IS OPERATING. MOVING PARTS WITHIN CAN CAUSE SEVERE PERSONAL INJURY.</p>	<p>PARA ASEGURAR SU PROTECCION, MANTENGA TODOS LOS PROTECTORES EN SU LUGAR Y ASEGURADOS MIENTRAS LA MAQUINA ESTE OPERANDO. LAS PIEZAS MOVILES INTERNAS PUEDEN CAUSAR LESIONES PERSONALES GRAVES.</p>

6500040



WARNING: FOR YOUR PROTECTION AND PROTECTION OF OTHERS, **PRACTICE THE FOLLOWING SAFETY RULES.**

1. BEFORE OPERATING THIS MACHINE, READ THE OPERATOR'S MANUALS SUPPLIED WITH THIS MACHINE AND YOUR TRACTOR.
2. CHECK OPERATORS MANUALS TO BE SURE YOUR TRACTOR MEETS THE MINIMUM REQUIREMENTS FOR THIS MACHINE.
3. READ ALL DECALS PLACED ON THIS MACHINE FOR YOUR SAFETY AND CONVENIENCE.
4. NEVER ALLOW RIDERS ON THIS IMPLEMENT OR THE TRACTOR.
5. KEEP OTHERS AWAY FROM THIS MACHINE WHILE IN OPERATION.
6. KEEP ALL SHIELDS IN PLACE WHILE MACHINE IS OPERATING.
7. KEEP HANDS, FEET, LOOSE CLOTHING, ETC., AWAY FROM POWER DRIVEN PARTS.
8. ALWAYS SHUT OFF MACHINE AND ENGINE BEFORE SERVICING, UNCLOGGING, INSPECTING, OR WORKING NEAR THIS MACHINE FOR ANY REASON. ALWAYS PLACE TRANSMISSION IN PARK OR SET PARK BRAKE AND WAIT FOR ALL MOVEMENT TO STOP BEFORE APPROACHING THIS MACHINE.

WARNING

ADVERTENCIA

FOR YOUR PROTECTION AND PROTECTION OF OTHERS, PRACTICE THE FOLLOWING SAFETY RULES.

SIGA LAS REGLAS SIGUIENTES DE SEGURIDAD PARA SU PROTECCION Y LA PROTECCION DE OTROS

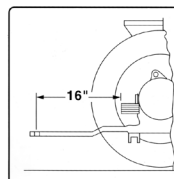
1. BEFORE OPERATING THIS MACHINE, READ THE OPERATOR'S MANUALS SUPPLIED WITH THIS MACHINE AND YOUR TRACTOR.
2. CHECK OPERATORS MANUALS TO BE SURE YOUR TRACTOR MEETS THE MINIMUM REQUIREMENTS FOR THIS MACHINE.
3. READ ALL DECALS PLACED ON THIS MACHINE FOR YOUR SAFETY AND CONVENIENCE.
4. NEVER ALLOW RIDERS ON THIS IMPLEMENT OR THE TRACTOR.
5. KEEP OTHERS AWAY FROM THIS MACHINE WHILE IN OPERATION.
6. KEEP ALL SHIELDS IN PLACE WHILE MACHINE IS OPERATING.
7. KEEP HANDS, FEET, LOOSE CLOTHING, ETC., AWAY FROM POWER DRIVEN PARTS.
8. ALWAYS SHUT OFF MACHINE AND ENGINE BEFORE SERVICING, UNCLOGGING, INSPECTING, OR WORKING NEAR THIS MACHINE FOR ANY REASON. ALWAYS PLACE TRANSMISSION IN PARK OR SET PARK BRAKE AND WAIT FOR ALL MOVEMENT TO STOP BEFORE APPROACHING THIS MACHINE.

1. LEA LOS MANUALES DEL OPERADOR INCLUIDOS CON ESTA MAQUINA Y SU TRACTOR ANTES DE OPERAR ESTA MAQUINA.
2. PARA ASEGURARSE QUE SU TRACTOR CUMPLE CON LOS REQUERIMIENTOS MÍNIMOS PARA ESTA MAQUINA, REVISLE LOS MANUALES DEL OPERADOR.
3. PARA SU SEGURIDAD Y CONVENIENCIA, LEA TODAS LAS CALCOMANIAS COLOCADAS EN LA MAQUINA.
4. NUNCA PERMITA PASAJEROS EN ESTA MAQUINA O EN EL TRACTOR.
5. MANTENGA ALEJADOS A LOS ESPECTADORES MIENTRAS ESTA MAQUINA ESTE OPERANDO.
6. MANTENGA TODOS LOS PROTECTORES EN SU LUGAR MIENTRAS LA MAQUINA ESTE OPERANDO.
7. MANTENGA LAS MANOS, PIES, ROPAS HOLIDADAS, ETC., ALEJADAS DE LAS PIEZAS PROPULSADAS.
8. SIEMPRE APAGUE LA MAQUINA Y EL MOTOR ANTES DE PRESTAR SERVICIO, DESTROBAR, INSPECCIONAR O TRABAJAR CERCA DE ESTA MAQUINA POR CUALQUIER MOTIVO. ANTES DE ACERCARSE A ESTA MAQUINA COLOQUE SIEMPRE LA TRANSMISION EN ESTACIONAMIENTO O ENGANCHE EL FRENO DE ESTACIONAMIENTO.

6500041



CAUTION: ADJUST TRACTOR DRAWBAR SO THAT THE DISTANCE FROM THE END OF THE P.T.O. SHAFT ON THE TRACTOR TO THE CENTER OF THE DRAWBAR HITCH PIN IS 16".



CAUTION

PRECAUCIÓN

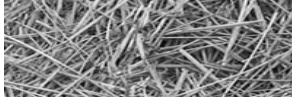
1. ADJUST TRACTOR DRAWBAR SO THAT THE DISTANCE FROM THE END OF THE PTO SHAFT ON THE TRACTOR TO THE CENTER OF THE DRAWBAR HITCH PIN IS 16".
2. ADJUST THE HITCH CLEVIS SO THE MACHINE IS PARALLEL WITH THE GROUND WHEN HITCHED TO TRACTOR.
3. HITCH MACHINE TO TRACTOR WITH A 1" HITCH PIN AND SECURE TO PREVENT LOSS.
4. ADJUST PTO BEARING BRACKET SO THE SHAFT ON THE MACHINE IS LEVEL WITH THE PTO SHAFT ON THE TRACTOR.

1. AJUSTAR LA BARRA DE TIRO DEL TRACTOR DE MODO QUE LA DISTANCIA DEL EXTREMO DEL EJE DE LA TDP DEL TRACTOR AL CENTRO DEL ENGANCHE DEL ENGANCHE DE LA BARRA DE TIRO MON-ROJES (16" 413 mm).
2. AJUSTAR LA HORQUILLA DEL ENGANCHE DE MODO QUE LA MAQUINA QUEDA PARALELA CON EL SUELO CUANDO ESTA ENGANCHADA AL TRACTOR.
3. ENGANCHAR LA MAQUINA AL TRACTOR CON UN PIVOTE DE ENGANCHE DE 1" (25.4 mm) Y FIJARLO PARA EVITAR LA DESCONEXION.
4. AJUSTAR LA ESCUDORA DEL CORMETE DE LA TDP DE MODO QUE EL EJE DE LA MAQUINA QUEDA AL MISMO NIVEL CON EL EJE DE LA TDP DEL TRACTOR.

SEE OWNERS MANUAL FOR MORE INFORMATION

VER EL MANUAL DEL OPERADOR PARA MAS INFORMACION.

6500322



1.4 Shielding

Shields are installed for your protection. Keep them in place, and replace damaged shields.

1.5 Personal equipment

Operators of this machine are encouraged to wear head, eye, and ear protection. Operators should not wear loose clothing.

1.6 Safety review

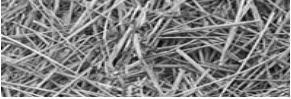
BEFORE OPERATING THE MACHINE

- Read and follow all instructions contained in:
 - A. This 2564 BALEBUSTER Operator's manual
 - B. Tractor Operator's manual
 - C. Decals placed on the 2564 BALEBUSTER



NOTE: Additional copies of the above mentioned materials can be obtained from your dealer.

- Allow only responsible, properly instructed individuals to operate your machine. Carefully supervise inexperienced operators.
- Use a tractor which meets the tractor requirements contained within this manual. **See Appendix D., Required For Operation:**
- Make sure the machine is in good operating condition and that all protective shields are in place and in proper working order. Replace damaged shields before operating.
- Make no modifications to the machine unless specifically recommended or requested by DuraTech Industries.
- Check periodically for broken or worn parts and make any necessary repairs.
- If required install the PTO safety chain. Check local regulations regarding safety chain requirements.



DURING OPERATION

Enforce the following safety precautions and others contained in this manual to prevent serious personal injury.

- Everyone must be kept clear of work area except operator seated at tractor controls.
- Disengage PTO before starting engine.
- **Never work on or near BALEBUSTER unless engine is shut off and flails have stopped.**
- Keep shields in place and in good condition.
- Watch out for and avoid any object that might interfere with the proper operation of the machine.
- Power takeoff shafts must be locked in place with protective PTO shields in place.
- Keep hands, feet and clothing away from power driven parts.
- **Never leave tractor controls unattended while the engine is running.**
- Exercise extreme care when operating on rough and/or steep terrain. Avoid operation on terrain which is excessively rough or steep.
- **Make surer your tractor PTO speed never exceeds 1000 RPM.**

WHEN PERFORMING SERVICE AND MAINTENANCE



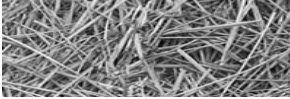
CAUTION: Before performing any maintenance or adjustments make sure machine is NOT running. If for any reason arc welding is to be done, always ground the welder close to the point where the welding is being done. It is recommended that the rotor be grounded to frame of machine to prevent arcing on bearings.

- Before working on or near the BALEBUSTER for any reason, including servicing, cleaning, unplugging or inspecting machine, use normal shut-down procedures unless instructed differently in this manual.
- Use only replacement parts that are provided by DuraTech Industries.
- If it is necessary to operate the tractor engine indoors for more than a few seconds, be sure to provide enough ventilation to remove the tractor exhaust fumes.
- Relieve all pressure in the hydraulic system before disconnecting the hose or performing other work on the system. Make sure all connections are tight and the hose is in good condition before applying pressure to the system.



WARNING: Hydraulic fluid escaping under pressure can be visible and have enough force to penetrate the skin. When searching for a suspected leak, use a piece of wood or cardboard rather than your hands. If injured, seek medical attention immediately to prevent serious infection or reaction.

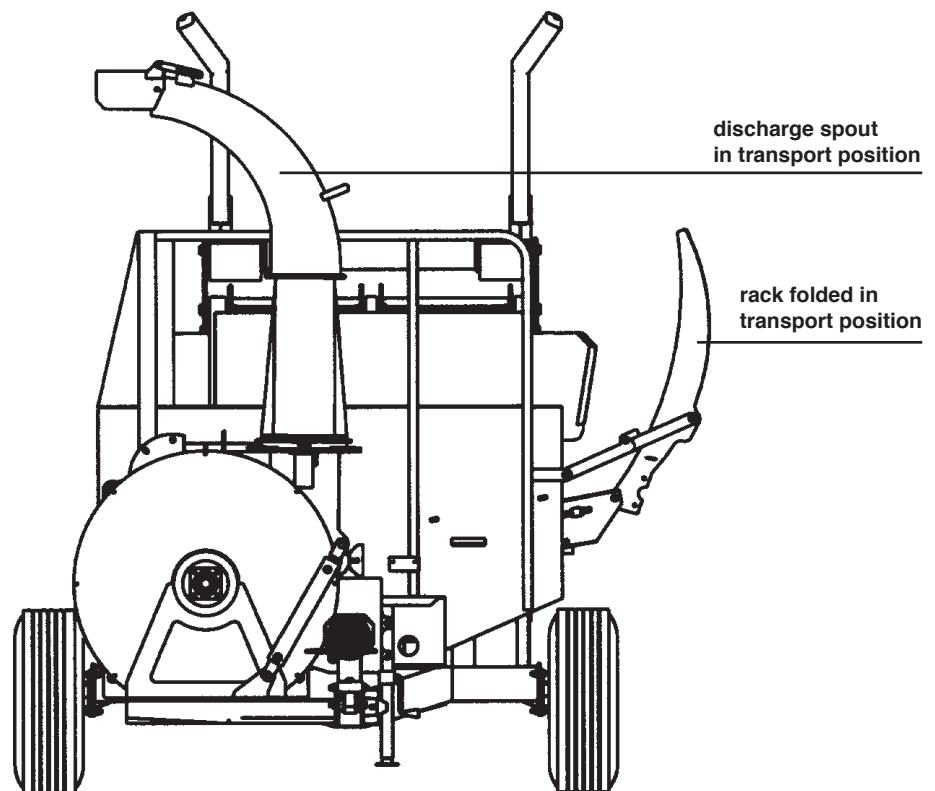
- **Never work on the BALEBUSTER with the bale loader in the raised position. Lower the bale loader to ground level.**
- Check for loose or badly worn bolts or connectors.



- Check for loose or misaligned sprockets on bale conveyor.
- Follow Lubrication Instructions.
- Inspect rotor and all rotating parts for twine or wire build-up. REMOVE DAILY
- Check air pressure in tires, inflate to the tire manufacturers recommended psi. The manufacturers recommended psi will be listed on the side wall of the tire.
- Check wheel bearings, and seals.
- Check flail bolts and tighten flail knife anchor bolts to 200 foot pounds torque. Flail should pivot on the bushing not on the bolt. Flail bolts are 5/8"x4", Gr 8 fine thread.

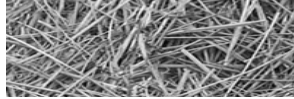
1.7 Towing/road transport

Figure 1.1
Rack, discharge spout
and fan housing in the
transport position



This machine is designed to fold for ease of transportation and storage. The rack assembly folds inside of bale chamber. A commercial driver's license may be required to tow this unit on public roads; verify with traffic control or licensing authorities.

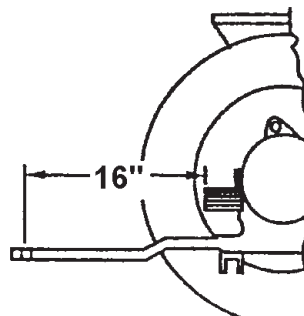
- Use good judgment and drive slowly over rough or uneven terrain.
- Be sure tractor brakes are properly adjusted and foot pedals are locked together.
- When preparing implement for transport, it is recommended that the tines be removed or a pin be removed on each tine so they can pivot into the bale chamber.
- The discharge spout must be rotated to an upright position, and the fan housing must be locked in position with the strap bolted on the right side of the main frame (see Figure 1.1).
- Check your state laws regarding the use of lights, slow moving vehicle signs, safety chain and other possible requirements.



Section 2: Dealer preparation

2.1 Assembly required

1. Hitch the BALEBUSTER to the tractor drawbar. Adjust the hitch so machine is parallel with ground.
2. Raise the jack. Pull the lock pin and store in the transport position.
3. Mount fork tines to loader frame..
4. Attach the PTO shaft to the tractor PTO shaft. Depress coupling and slide the coupling onto the splined shaft. Make sure the spring loaded safety catch is properly seated.
5. Pull rack assembly into operating position.
6. If required, install the safety chain. Check local regulations regarding safety chain requirements.
7. Grease PTO before use.
8. This machine is set up to operate on 1000 RPM only!



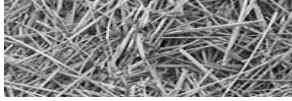
For more information
see section 3.3.1 "Tractor
Set Up"

safe distance from PTO

2.2 Pre-delivery inspection

INSTRUCTIONS: Before delivering the machine, check the following items carefully and make corrections when necessary. Place an "X" in the box after each item has been checked and found to be acceptable.

- Missing items or damage in transit.
- Loose bolts or set screws.
- Hydraulics components for leaks or damage.
- Lug bolts for tightness.
- Tires for proper air pressure.
- Condition of tire rims.
- Proper lubrication.
- All chains for proper adjustment.
- All shields for installation and condition.
- Condition of all decals.
- All phases of operation.
- Check for loose flail bolts, torque to 200 ft. lbs. (27 kg-m).



2.3 Machine operation check

With Tractor hooked up to the BALEBUSTER, try all functions on the machine.



WARNING: The electric\hydraulic system is polarity sensitive, reversing polarity will cause damage to the solenoid P\N (4000174)



CAUTION: The electric\hydraulic system has a check valve installed on the valve. Oil will flow only one direction from the tractor thru the valve.

With the engine off and key removed from the switch:

1. Adjust the spout, the fan housing should turn.
2. Adjust the deflector tip on the spout.
3. Adjust the slug bar

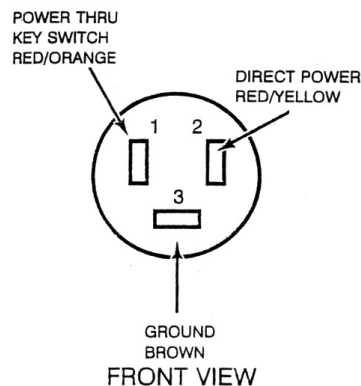
With the engine at idle:

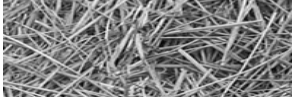
1. Raise and lower the loading arms.
2. Adjust the spout if equipped with the hydraulic motor option.
3. Engage the bale conveyor, adjust conveyor speed control valve on the BALEBUSTER.
4. Engage the tractor PTO, the rotor, transfer auger, and fan should be running. Listen for any odd noises and vibrations.

Three Pin Socket

An auxiliary power connection is provided inside the operators compartment for connecting monitors, implement controllers, C.B. radios and other 12-volt equipment.

The three pin outlet is located on the right hand side to the rear of the seat. The outlet has a ground terminal and two 12-volt power terminals. One power terminal is through the key switch and the other is direct power.



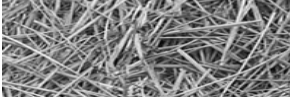


2.4 Loading tines



For shipping purposes the loading tines are placed on the loader as shown above.

After receiving the machine the loading tines need to be removed and put into the working position. See section **3.3.12 Loader** for setting the position of tines for bales.

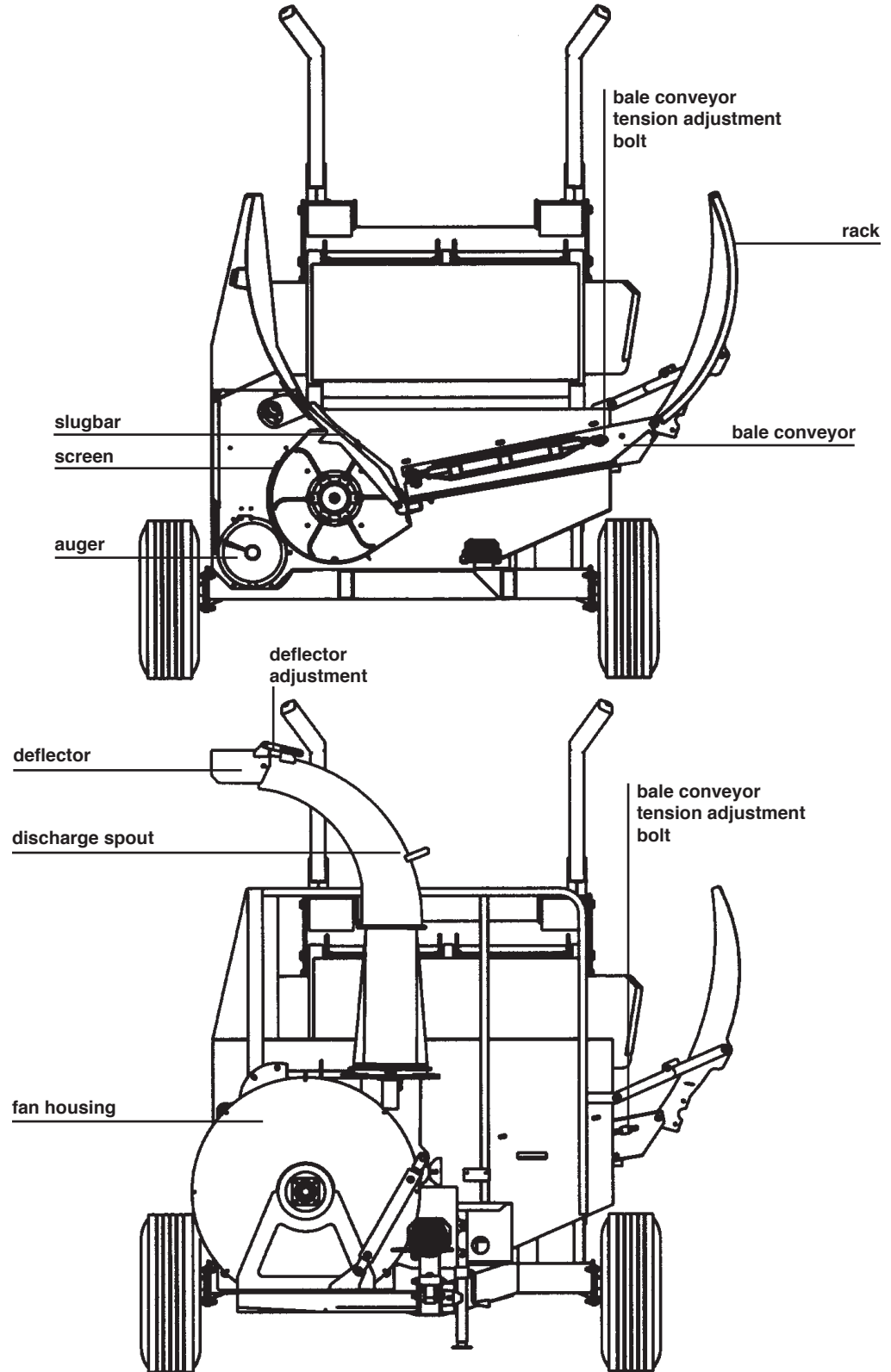


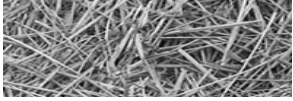
Section 3: Operation

To insure long life and economical operation, we highly recommend the operator of the BALEBUSTER be thoroughly instructed in the maintenance and operation of the machine.

There is no substitute for a sound preventative maintenance program and a well trained operator.

Figure 3.1
Location of major
components





3.1 Pre-operation inspection

Prior to starting the engine of the tractor, we recommend the operator make a visual inspection of the unit. This can be done as the lubrication is being carried out. Any items that are worn, broken, missing or needing adjustment must be serviced accordingly before operating the BALEBUSTER.



WARNING: Before inspecting the machine, use the normal shut-down procedure in section 3.3.4.

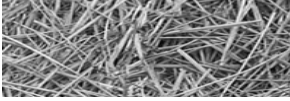
Check the following:

- Transfer auger and screen for material buildup, and chunks from screen that have fallen into the transfer auger.
- Condition of flails and attachment bolts. Flail nuts are to be tightened to 200 ft. lbs. (27 kg-m).
- Rotor for twine build-up.
- Chains for proper tension, and condition.
- Keep auger pan door closed during operation
- Check for loose bolts, worn or broken parts.
- All lubrication points have been serviced.
- Lug nuts for tightness.
- Condition of tire rims.
- Tires for proper air pressure.
- Installation of slow moving vehicle (SMV) sign if required.
- Installation and condition of shields.
- Condition of decals.
- Hydraulic components for leaks or damage.



WARNING: Hydraulic fluid escaping under pressure can be almost invisible and can have sufficient force to penetrate the skin. When searching for suspected leaks, use a piece of wood or cardboard rather than your hands. If injured, seek medical attention immediately to prevent serious infection or reaction.

- Test run the BALEBUSTER before loading. To prevent damaging the BALEBUSTER always engage PTO with engine idling. Look for excessive vibration, loose or broken parts. Make any necessary repairs before attempting to do any bale feeding.



3.2 Introduction to the machine

3.2.1 Operator controls

Operator controlled items:

- The loading tines, to load the bale. See section 3.3.6, “Loading”
- The PTO shaft, which runs the fan, auger, and rotor.
- The bale conveyor chain.

Adjustable items:

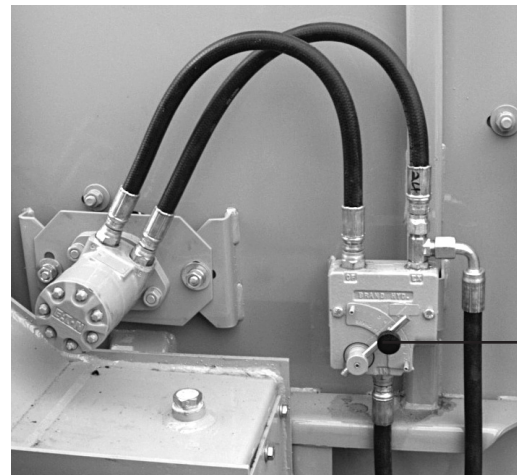
- The conveyor speed control valve. See section 3.4.4, “Adjusting the bale conveyor speed”
- Slug bar setting
- Screen size
- Spout and spout deflector settings

3.2.2 Bale conveyor

The Bale conveyor keeps the bale moving into the flails, forcing the bale to rotate, and keeping product in front of the flails

Bale conveyor speed is set with the conveyor speed control valve or tractor controls if equipped with a PFC system.

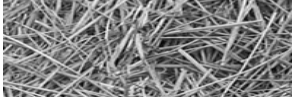
To chop the forage finer, decrease the conveyor speed by rotating the control lever up and to the left. For a coarser cut, increase the conveyor speed by rotating the lever to the right and down.



bale conveyor speed control valve

3.2.3 Rotor

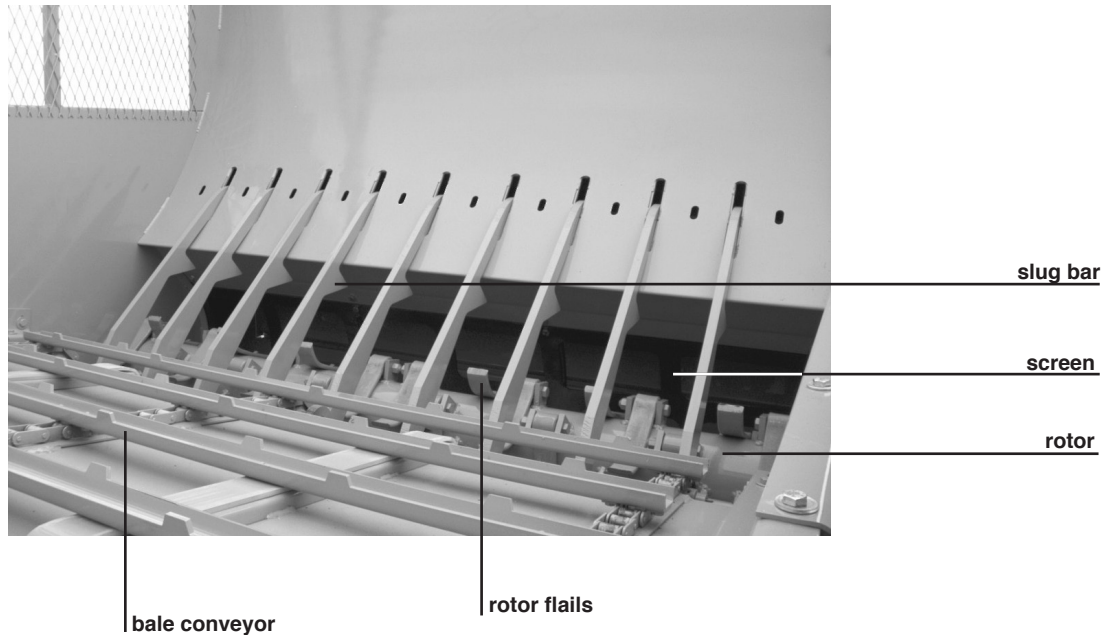
The rotor flails shred the bale and throws the material into the augers. Rotor speed should remain constant, which is done by keeping the tractor PTO at 1000 RPM.



3.2.4 Auger

Transfers material from rotor chamber to fan, driven by the rotor.

Figure 3.2
Rotor, bale conveyor,
slug bars, and the
screen



3.2.5 Slug bars

The 2564 BALEBUSTER comes standard with 9 slug bars. The slug bars control the depth that the flails cut into a bale as it is being shredded. As the depth of the cut becomes larger, the output becomes coarser. The depth of cut is controlled by the slug bar ratchet. For more information, see section 3.4.5 on changing the slug bar settings.

3.2.6 Screen

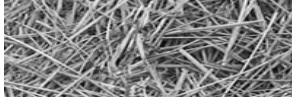
Screens are used in the 2564 to regulate product size. Screen sizes are 4-1/4"x10-1/2", and 6-1/2"x10-1/2" openings. The larger the hole, the coarser the product. Screens can be reversed when one edge becomes worn. See section 3.4.3 on changing screens.

3.2.7 Fan

Material goes through fan and is blown out discharge. Driven by PTO.

3.2.8 Discharge spout and deflector

The discharge spout and deflector assembly can be adjusted for different scattering effects. Raise the deflector for a wider spread. Lower the deflector for a narrower windrow. Rotate the discharge spout and fan housing for distribution near the machine or farther out.



3.3 Machine Operation & Adjustments

3.3.1 Tractor Set Up

A tractor drawbar and 3-point arms can cause interference with the PTO driveline IID (Implement Input Driveline). This interference can cause serious damage to the IID guarding and the IID telescoping members.

If this implement is attached to a tractor with a clevis hitch (hammer strap) style drawbar, the hammer-strap must be removed to prevent damage to the IID guarding and the IID telescoping members. See Figure 1.

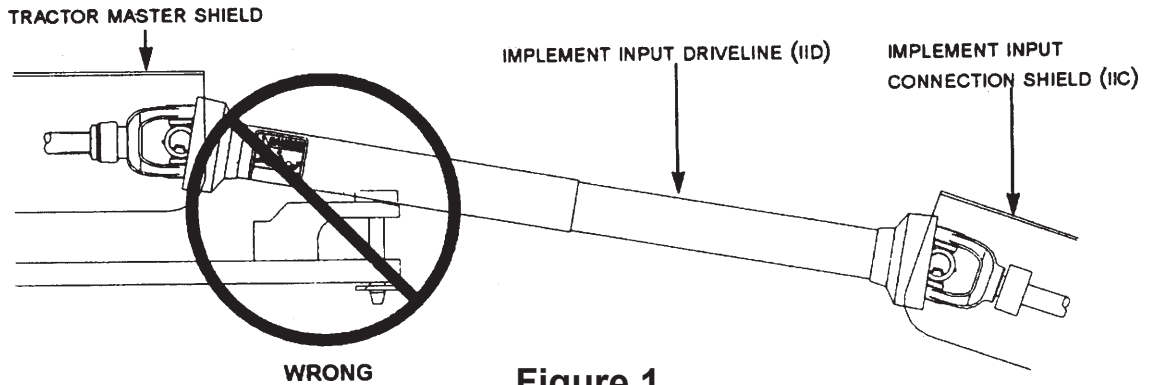


Figure 1

If this implement is attached to a tractor with an offset in the drawbar, be certain it is in the down position to prevent damage to the IID guarding and the IID telescoping members. See Figure 2.

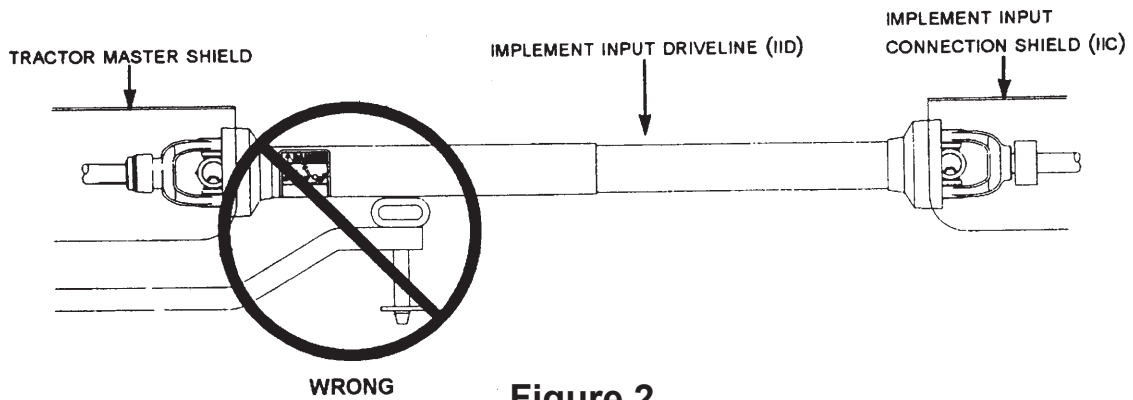
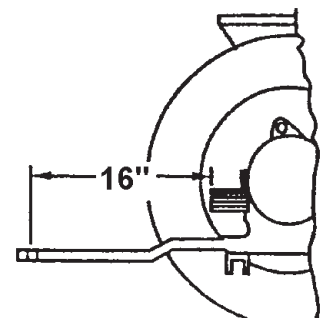


Figure 2

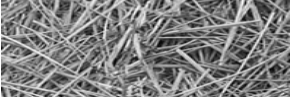
If this implement is attached to a tractor with 3-point arms, the arms must be fully raised and locked in position to prevent damage to the IID guarding and the IID telescoping members.

Hitch Adjustment

The hitch is adjustable so that the machine is parallel to the ground when attached to the tractor drawbar. This is accomplished by removing the two mounting bolts and reinstalling them with the hitch at the proper height. The distance from the end of the P.T.O. shaft on the tractor to the center of the drawbar hitch pin hole should be 16" (41 cm.), and the height from the top of the drawbar to the centerline of the P.T.O. should be 8". Refer to Page 20.



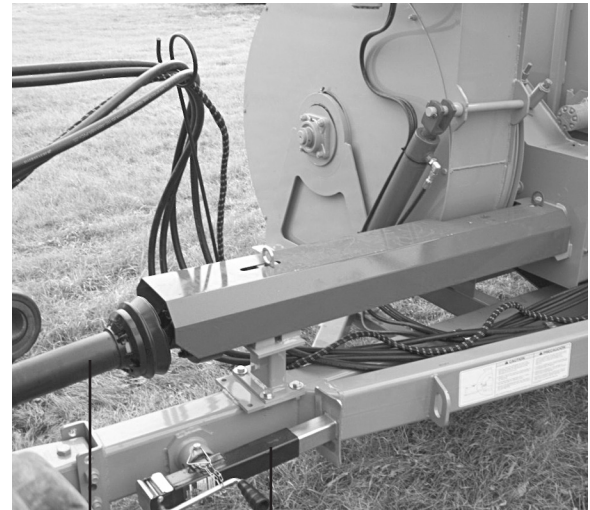
The hitch pin should be of proper size to prevent movement and length to extend through all components of the hitch. The pin should be secured with a hairpin clip or suitable device to prevent the loss of the pin.



3.3.2 Hitching the BALEBUSTER to a tractor

To hitch the BALEBUSTER to a tractor, perform the following steps:

1. Adjust jack for tractor height
2. Position tractor so hitch pin can be installed, and install the hitch pin.
3. Adjust jack so that the jackstand is loose. Then place jackstand in the raised and locked position.
4. Attach PTO to tractor.
5. Clean off the hydraulic hose ends and tractor couplings, then attach the hydraulic hoses.
6. Verify hydraulic hoses are hooked up in proper orientation.
7. Raise loading table before moving.



PTO

front jack stand (hitched position)

3.3.3 Starting the machine



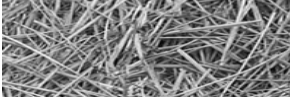
WARNING: After making all necessary hook-ups to tractor, be sure rotor chamber is clear of any solid objects. Make sure any bystanders are away from discharge before engaging PTO. Flying objects can cause serious injury or even death. Stay clear of discharge side of machine unless operator has stopped tractor engine and machine has stopped rotating. Failure to follow these instructions may result in severe injury.

To start the machine, perform the following steps:

1. Machine's hydraulic system performs two (2) functions. One function raises the bale loader for loading bales into the machine. The second function powers bale conveyor by means of a hydraulic motor.
2. Operating tractor PTO at 1000 RPM allows machine to do a better job of chopping forage and also keeps a minimum of twine build-up on the rotor. Twine build-up should be kept to a minimum to reduce fire hazard.
3. Always operate bale conveyor to rotate the bale in direction indicated by arrow on the front shield. Reverse direction only if the bale is lodged or hesitates to turn



4. **CAUTION:** Serious injury could result if machine is allowed to tip.



3.3.4 Normal shut-down procedure



WARNING: For your safety and the safety of others, you must use the following normal shut-down procedure before leaving the tractor controls unattended for any reason, including servicing, cleaning, or inspecting the BALEBUSTER. A variation of the following procedure may be used if so instructed within this manual or your tractor manual or if an extreme emergency requires it.

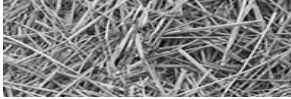
To shutdown the machine, perform the following steps:

1. Shut hydraulic drive off for chain conveyor, and wait until the fan and auger are emptied out.
2. Reduce engine RPM to a low idle, wait for the fan to slow down. Disengage PTO.
3. Lower machine to ground level.
4. Place transmission in park or set park brake
5. Shut Off engine and remove key.
6. Wait for all movement to stop.

3.3.5 Unhitching the BALEBUSTER from a tractor

To unhitch the BALEBUSTER from a tractor, perform the following steps:

1. Follow Normal shut-down procedure
2. Lower jack and secure. Raise tongue off of the tractor draw bar
3. Detach the PTO shaft from the tractor.
4. Cycle the hydraulic control levers to release any pressure in the hydraulic hoses. Be sure loading table is completely down.
5. Detach the hydraulic hoses.
6. Detach electrical cable.
7. Remove the safety chain, if installed
8. Remove the hitch pin.
9. Place jackstand in the down and locked position. Lower BALEBUSTER into jackstand. Raise Jacks.



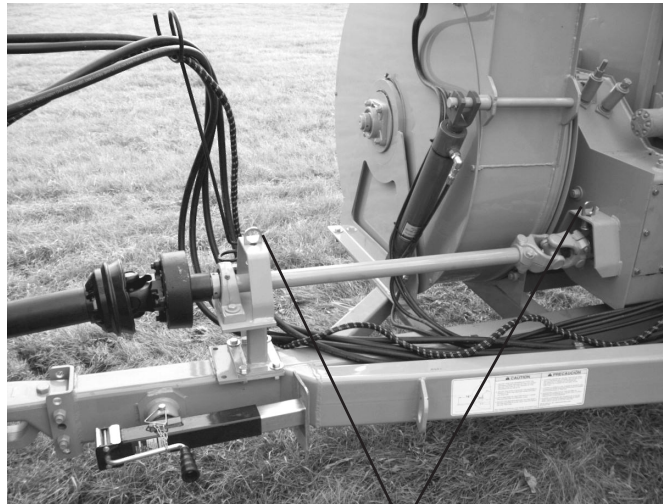
3.3.6 P.T.O. Shield



WARNING: Before removing the P.T.O. shield, be sure and follow the normal shut down procedure. Be certain that the tractor is shut off and all rotating components of the machine have come to a complete stop before removing the shield. Loose clothing is discouraged, and long hair should be restrained whenever working on P.T.O. shafts.

To remove the P.T.O. shield, unhook the hold-down latches near the front and rear of the shield and lift the shield.

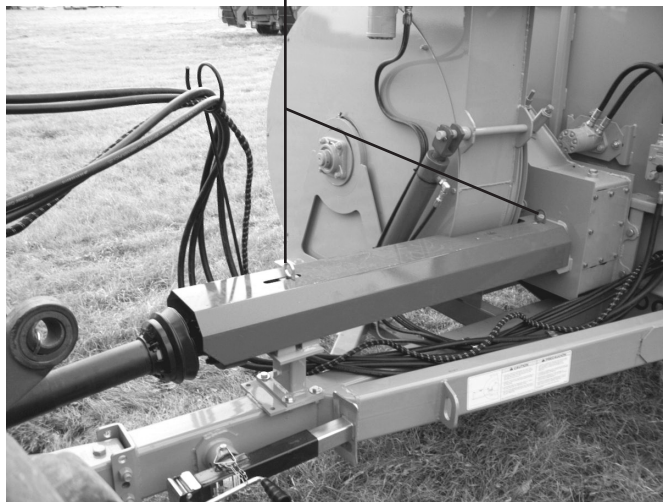
figure 3.3a
P.T.O. shield removed
-maintenance position.



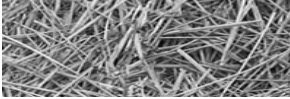
P.T.O. shield hold
down latches

Once the shield is put in place, tighten the P.T.O. hold down latches.

figure 3.3b
P.T.O. shield, working
(latched) position

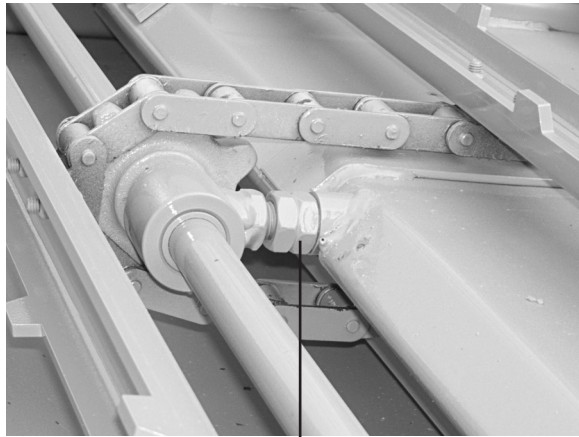


P.T.O. shield hold
down latches

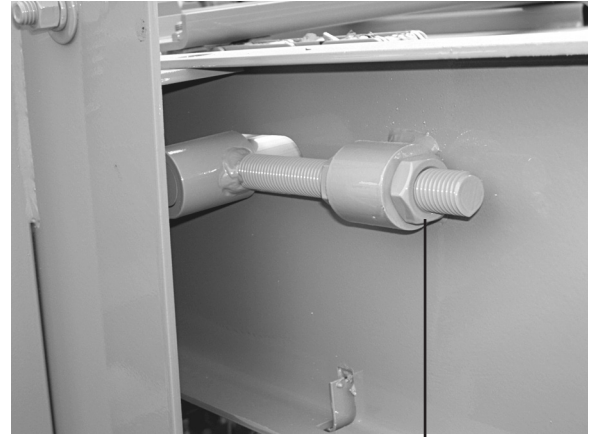


3.3.7 Conveyor Chain Adjustment

The three chain tensioning bolts should be adjusted to allow lifting the slats 1" to 1-1/2" above conveyor deck. These bolts are located, on the front of the conveyor, at the center, and on the rear. Bolts must be adjusted evenly.



center conveyor chain adjustment bolt

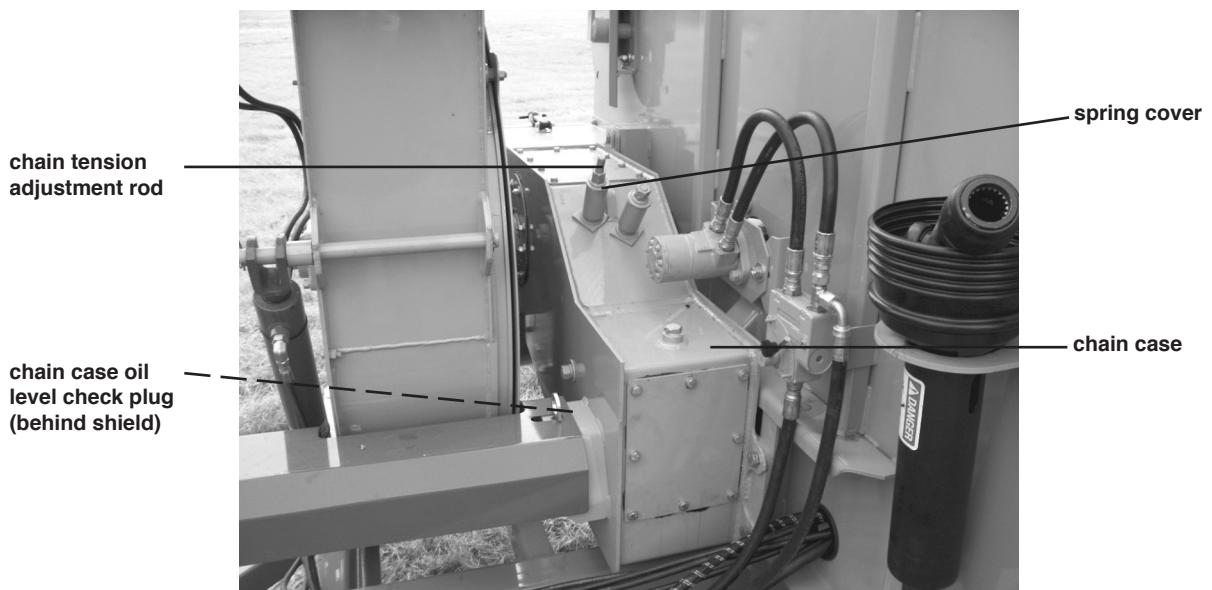


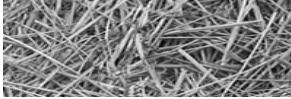
left conveyor chain adjustment bolt

3.3.8 Chain Case Adjustments.

It is normal for the chain to stretch. A spring-loaded idler sprocket maintains Chain tension. Adjusting the rod that protrudes through the top of the chain case changes chain tension. Chain tension can be checked by measuring the gap between the spring cover and the chain case. The correct dimension is 3/8 in. +/- 1/16 in.

The chain case was filled with hydraulic oil when assembled, (10-weight motor oil can be used.) To check oil level, remove the plug on the front of the chain case. The oil level is within 1/2 in. of the opening.





3.3.9 Slugbar Adjustment

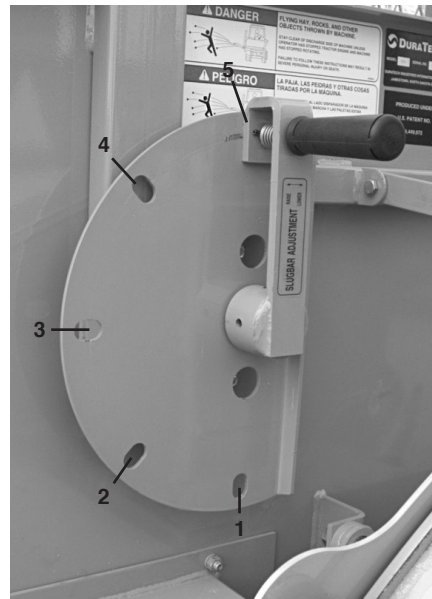
Exposing, less flail will create a finer cut and use less horsepower, while exposing more flail will produce a coarser cut.

This is accomplished by rotating the slugbar adjustment handle. Rotating the handle clockwise will expose more flail, counterclockwise will expose less flail. To rotate the handle, squeeze the lever to release the lock and rotate the handle to the desired position, and release the lever. Be sure that the lever is seated in one of the adjustment slots to ensure that slugbars stay properly adjusted.

With the handle rotated fully counterclockwise the will expose the least amount of flail (position 1).

Position	Approx. Flail Exposed
1	1"
2	1-1/4"
3	1-1/2"
4	1- 5/8"
5	1-3/4"

Positions 1 through 3 are for grinding hay. Positions 4 and-5 should only be used when spreading Dry Straw. (**DO NOT**, use positions 4 and 5 if material is wet, has high moisture content or is frozen.)



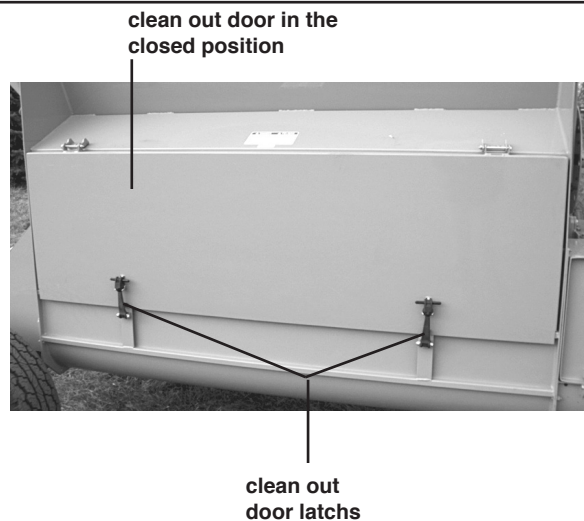
3.3.10 Clean Out Door

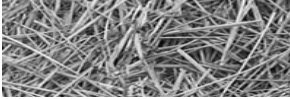


WARNING: Before opening the clean out door, be sure and follow the normal shut down procedure. Be certain that the tractor is shut off and all rotating components of the machine have come to a complete stop before opening clean out door.

The clean out door allows for easy access to the rotor for flail changes and twine removal. To open the door remove the lynch pins and release the latches. Lift the latch hooks and open the door.

To close the door, hook the latch hooks and close the handles. This should draw the door in tight. If the door is loose or can not be closed, check for obstructions. Hooks can be adjusted by screwing them in or out of the latch. Once the door is closed, replace the lynch pins.



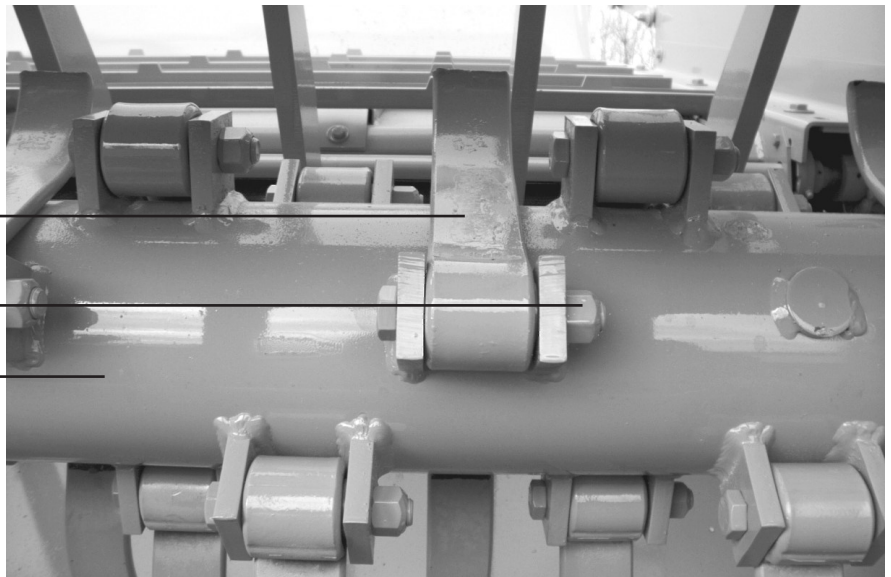


3.3.11 Flails

Flails must be free to rotate about the bushings on the rotor. The bushings must not rotate. The bushings are held secure by tightening the bolts which squeeze the tabs against the bushing. Bolts should be torqued to 200 ft.-lbs. (27 kg-m).

figure 3.4
rotor and flails

flail
flail tightening bolt
rotor



3.3.12 Loader



WARNING: Loader tines may swing down unexpectedly as they drop over center. They can move faster than you can react. Keep all bystanders away from the machine while loader is raised.

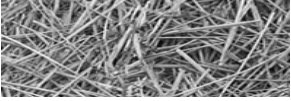
figure 3.5
Loader Tines



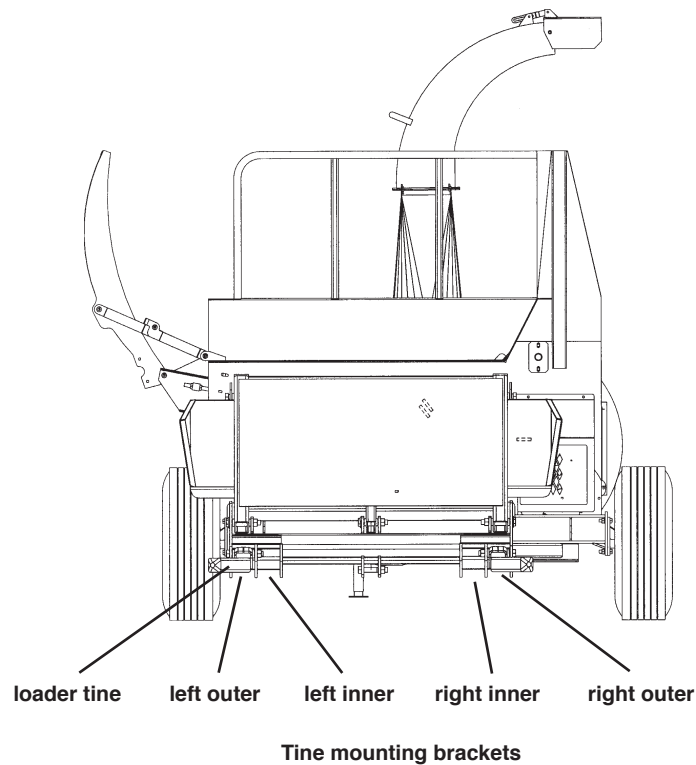
loader tine

loader wing

loader
transport pin



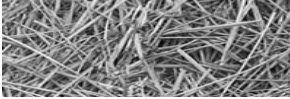
1. The loader has three settings for different size bales. For bales approximately 72" in diameter mount the loader tines in the outermost position. 60" bales require the loader tines to be positioned in the left outer slot and the right inner slot (left and right are determined while facing in the direction of travel). 48" bales require the tines to be positioned in the inner mounting slots (see below)
2. 48" bales use left inner and right inner mounting slots.
60" bales use left outer and right inner mounting slots (standard).
72" bales use left outer and right outer mounting slots.



3. These settings are accomplished by removing the pivot bolts and removing the tine. After the tine is reinstalled in the proper position, reinstall the pivot bolt and tighten. Be sure the bolt threads protrude through the entire nut so that the locking nut functions properly. Do not over tighten the pivot bolt, the tine should rotate freely about the pivot bolt.
4. The loader tines should pivot freely as the loader is raised and lowered. If the loader tines don't swing down into the loading position the bale will not load properly. With the loader fully raised the loader tines should swing down.



CAUTION: Watch for overhead hazards such as power lines.



3.3.13 Loading the bale

The bale conveyor must not be running when a bale is lifted into the shredding chamber. (*step3-5*), dropping bales on to the moving conveyor slats may bend slats.



DANGER: If it is necessary to transport a second bale over uneven terrain, make sure any bystanders are away from the 2564 BALEBUSTER. Serious injury or death could result if the bale rolls off the loader main frame loader supports.

STEP 1: Lower the bale loader part way down so you can still see the end of the tine fork. Use the fork as a guide and back up to the first bale, with the bale loader in its lowest position, back up until the bale is loaded on the main frame loader supports

STEP 2: Slowly lift bale, until the flat end is firmly against the table. If you need to travel to the second bale, transport with the bale loader on the main frame supports, use the bale as a guide to line up the second bale.

STEP 3-5: Slowly lift bale into the shredding chamber. Continue lifting the bale loader until it stops. The correct position for shedding a single bale will help prevent spillage.

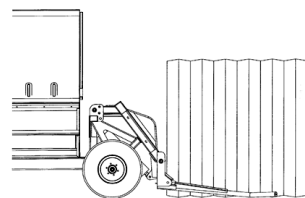


NOTE: If bale does not rotate forward the twine may be over the tine. Cut the twine at this time to prevent damage to the machine.

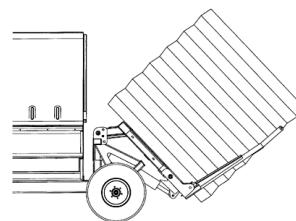
STEP 6: Load a second bale (if the first bale is on the main frame loader supports, use the bale as a guide to line up on the second bale). (If the first bale is in the shredding chamber use the conveyor and move the bale to the right so you can look past it on the left side). Back trailer until bale is loaded on the main frame loader supports. Slowly lift the bale off the ground keeping the weight of the bale on the main frame loader supports. This is the transport position for the second bale.

STEP 7: After the first bale is shredded, repeat steps, 3-5, loading and shredding the bale.

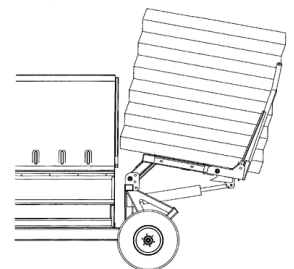
figure 3.6
loading the bale



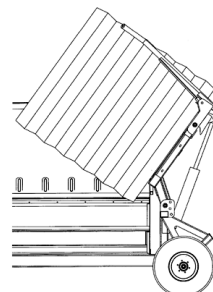
STEP 1



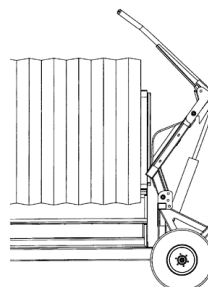
STEP 2



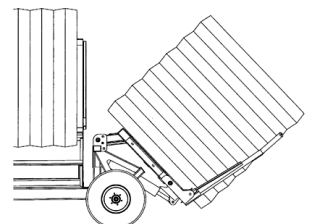
STEP 3



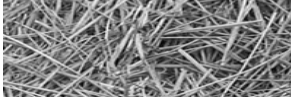
STEP 4



STEP 5



STEP 6



3.3.14 Operating the machine

To operate the machine, perform the following steps:

1. Load machine according to section 3.3.6 “Loading Bales”.
2. With tractor at half speed, engage PTO.
3. Increase tractor engine speed so PTO is at 1000 RPM.
4. Engage conveyor chain orbit motor hydraulics.
5. Drive as needed to spread as desired.

3.3.15 Loader Transport Pin



WARNING: Never stand under loader when removing transport pins. Do not attempt to force pins out, with the loader fully raised they can be easily removed.

The loader transport pins can be inserted into three positions:

1. Upper hole: Holds the loader in the fully raised position for transport.
2. Middle hole: Holds the loader partly raised. This improves rear visibility and reduces wind drag during transportation
3. Lowest hole: Holds the loader transport pin in storage position.



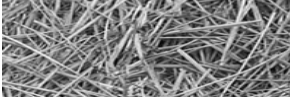
loader transport pin in storage position

3.3.16 Hydraulic Cylinder and Valve

All cylinder and valve hose connections should be tight and leak free. If the area near a hose connection becomes oily or dirty repairs should be made to seal the leak. Hoses should be free of cracks or cuts to ensure safe operation. Cylinder seal kits are available from your dealer to repair a leaky cylinder. Pin connections should be free of excessive wear. If pins become worn they should be replaced. Also check yokes and mounts for cracks and wear.



WARNING: Hydraulic fluid escaping under pressure can be almost invisible and can have sufficient force to penetrate the skin. When searching for suspected leaks, use a piece of wood or cardboard rather than your hands. If injured seek qualified medical attention immediately to prevent serious infection or reaction.



3.3.17 Tires and Rims

Tires should be inflated to 40 PSI (275 kPa) and should be free of cuts or cracks. There should also be adequate tread and no visible cords, wires or tread separation. Tires must also be of proper load rating, speed rating and size.

Rims must be free of cracks and rust pitting. Lug bolts must also be tight. Inspect the area around the lug bolts. If rust develops this is a sign of loose lug bolts. Check wheel bearings and seals, replace and grease as use requires.

3.3.18 Rack

The rack has two positions: transport and working. The rack should travel between the two positions freely under the operator's own power. All pivoting connections should be snug, but still allow the points to hinge freely. Inspect for cracked or excessively worn holes at the connections. The rack connection straps are designed to be self-folding and should not drop over center. If the straps become bent or do not function properly they should be replaced.

figure 3.7
rack in the working
position, rack
connection straps



3.3.19 Jack

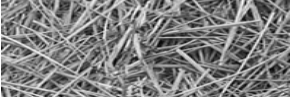
An adjustable jack is provided with the machine to support the hitch when the machine is disconnected from the tractor. The jack must only be used on firm, level ground or similar base to prevent it from sinking,

When unhooking the machine remove the jack pin and rotate the jack to the upright position and reinstall the pin. Crank the jack until the hitch is no longer supported by the drawbar of the tractor. The hitch pin can now be removed.



WARNING: Never use the jack without reinstalling the jack pin.

When hooking up the machine, install a proper hitch pin and secure it with a hairpin clip or comparable device, crank the jack until the foot of the jack is fully raised. Remove the jack, and place in transport position.



3.3.20 Hooking up hydraulic control box and hydraulics to tractor

To hook up the hydraulic control box to the 2564 Balebuster, line up plug from the control box to the plug on the machine and twist together. To disconnect twist opposite direction and pull apart.

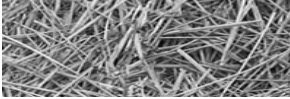
Valves on the 2564 Balebuster are protected with a one way check valve to ensure proper function.

To engage tractor hydraulics so switches function correctly, turn on and lock one hydraulic function when operating the shredder.

If the direction of the lever is not right for the tractor or does not lock, reverse the hydraulic hose hook ups on the tractor.

Recommended hydraulic flow rate is 8 to 12 gallons a minute. If hydraulic flow is too low, it will cause the hoses to pulsate and if the flow is too high, damage to the valve will occur.

To hook up to 12 volt power, one of two power plugs is needed. For newer tractors with a three prong plug a 15 amp fuse is needed. For older tractors a wiring harness can be purchased (part #5700686) using a 15 amp fuse, and plugging the harness into a keyed power source.



3.4 Adjusting the machine

3.4.1 Changing the output distribution pattern

The spout and deflector can be set to create a windrow or for spreading.

For bedding or mulching, remove the spout assembly. This allows the chopped material to discharge directly from the fan. The distance the material is thrown and the coverage may be varied by rotating the fan housing to obtain the desired results. Adding the optional barrel will throw the material farther.

For Bunk Feeding, set the spout in its working position. Adjust the deflector on the end of the spout up or down to help regulate the force of the material leaving the spout. When bunk feeding, raise the spout above the bunk and use the deflector to direct the material downward. This will reduce the force, helping to prevent material from blowing out of the bunk. If material is still blowing out of the bunk, PTO speed may be decreased.

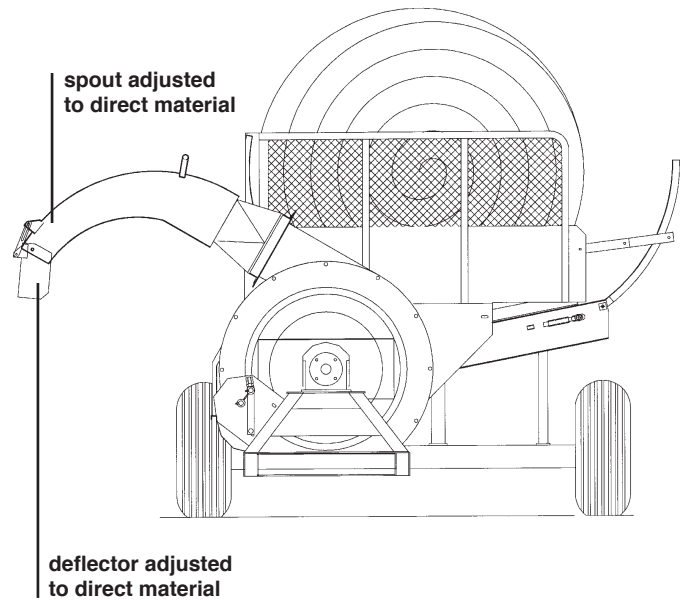
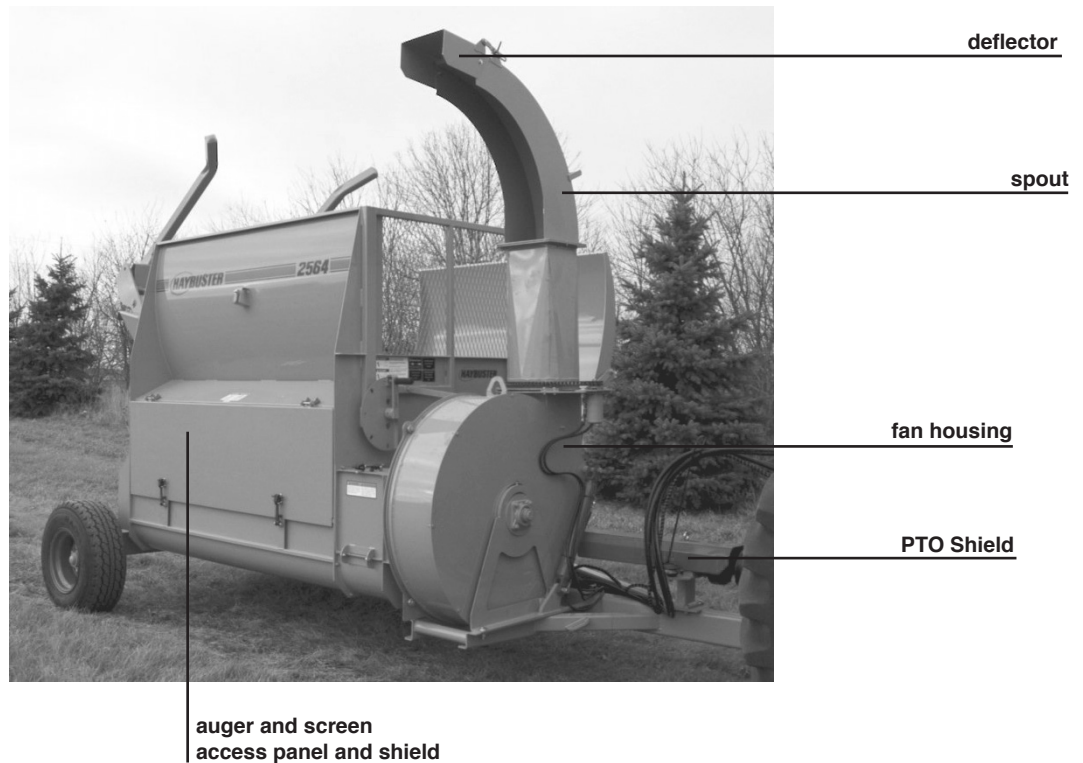
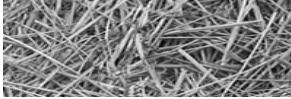


Figure 3.8
Spout, deflector and fan housing



To create windrows set the spout and deflector as follows; with the spout latched in the working position, the deflector can be raised and the fan housing rotated to place the material in a row as desired.



3.4.2 Changing length of cut

Using conveyor speed and slug bar settings to determine material size will reduce the horsepower requirements and increase flail life. If a greater size reduction is required, then add a smaller screen.

Using a screen will produce a relatively small material size, but will require more horsepower, lower production (tons/hour), and result in greater flail and screen wear.

3.4.3 Changing screens

Using a screen with a smaller hole will produce a finer cut.

Where a coarse cut is desired, use a screen with a larger hole.

To change screens, perform the following steps:

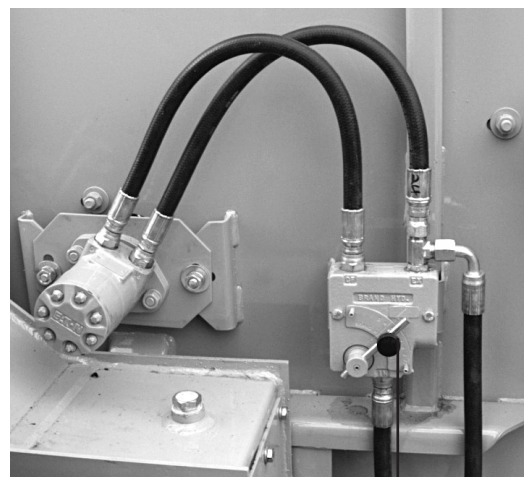
1. Open the access door on side of machine
2. Remove 8 bolts
3. Slide screen out
4. Clean screen track
5. Insert new screen
6. Replace bolts, and access door

3.4.4 Adjusting the bale conveyor speed

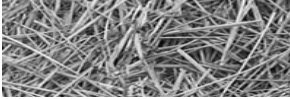
Moving the lever counterclockwise will slow the conveyor, and make a finer product.. Moving the lever clockwise will speed up the conveyor and make a coarser product.

For tractors with PFC type hydraulic systems:

This valve should be set in the full open position. Conveyor speed can be controlled directly from the tractor controls.



bale conveyor speed control valve



3.4.5 Changing the slug bar settings

Figure 3.9
Location of the slug
bar ratchet

auger and screen access
panel and shield latch pin

auger and screen
access panel and shield
(open position)

slug bar ratchet



Exposing less flail will create a finer cut, while exposing more flail will create a coarser cut.

This is accomplished by adjusting the slug bar ratchet.

3.5 Road transport

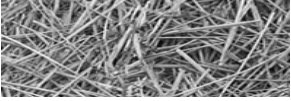
3.5.1 Preparing the BALEBUSTER for transport

To prepare the machine for transport, perform the following steps:

1. Remove loader tines, and store them in the bale chamber or in the transporting vehicle. Save the bolts for later use.
2. Put loader frame in fully up position
3. Push up on links attaching rack to frame, push rack into transport position
4. Check condition of tires
5. Check condition of SMV sign, warning lights, safety chain, as required by local regulations.

loader tine in large
bale position





3.5.2 Changing Back To Operate

To prepare the machine for operation, perform the following steps:

1. To prevent serious personal injury enforce and follow the safety precautions contained in this manual
2. Hook up to tractor.
3. Lower loader frame.
4. Return rack to working position

3.6 Storage

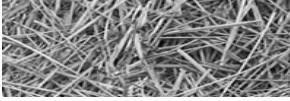
3.6.1 Preparing the machine for storage

This machine is designed to fold for ease of transportation and storage. The rack assembly folds inside of bale chamber.

To prepare the BALEBUSTER for storage, perform the following steps:

1. Shutdown the BALEBUSTER using the normal shutdown procedure.
2. Clean all mud, dirt, grease and other foreign material from the exterior of the machine. Cut all twine off from around the rotor, auger, and fan. Wash the complete machine. If washing the BALEBUSTER with a high pressure washer, keep the nozzle away from the sealed bearings. Repaint places where bare metal is exposed - this will inhibit rusting.
3. Place the jackstands in the down and in locked position. Block the rear axle up taking the weight off the tires, but do not deflate tires. If possible, store the machine in a dry, protected place. If it is necessary to store the machine outside, cover it with waterproof canvas, plastic, or other suitable protective material.
4. Coat exposed cylinder lift rod with grease. Oil chains on conveyor. Lubricate thoroughly according to lubrication instructions. Repack wheel bearings.
6. Check the machine for any worn or broken parts.

By ordering parts now, you will avoid delays when it is time to remove the machine from storage. When ordering parts always specify machine serial number and the part number of the replacement part. Part numbers can be found in the parts section of this manual.



3.6.2 Removing the machine from storage

To remove the **BALEBUSTER** from storage, perform the following steps:

1. Remove all protective coverings.
2. Remove blocking from under the machine
3. Lubricate machine in accordance with lubrication instructions found in this manual.
4. Follow pre-starting inspection instructions.



Section 4: General maintenance



IMPORTANT: Before performing any service or maintenance on your BALEBUSTER, review the safety guidelines for performing service and maintenance in section 1.6 “Safety review” under the heading “WHEN PERFORMING SERVICE AND MAINTENANCE”.

4.1 Lubrication

LUBRICATION INSTRUCTIONS: The operator should make a check of all grease fittings in the unit before beginning to operate it so as to become familiar with their location and the correct service schedule.



WARNING: Use normal shut-down procedure (section 3.3.4) before lubricating machine.

Use only a high quality, multi-purpose grease when lubricating the unit. Make sure all fittings and the nozzle of the grease applicator are clean before applying the grease. If any grease fittings are missing, replace them immediately.

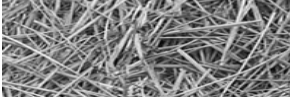
4.1.1 LUBRICATION POINTS

The following grease points will require an eight (8) hour service interval.

- Idler Pivot - 1 see figure 4.1
- Transfer auger bearings - 2 see figure 4.1
- Rotor bearings - 2 see figure 4.1
- Fan Bearings - 2 see figure 4.2
- Fan House Pivot - 2 see figure 4.2 and figure 4.4

Rotating the fan housing to different positions while greasing will help distribute grease better.

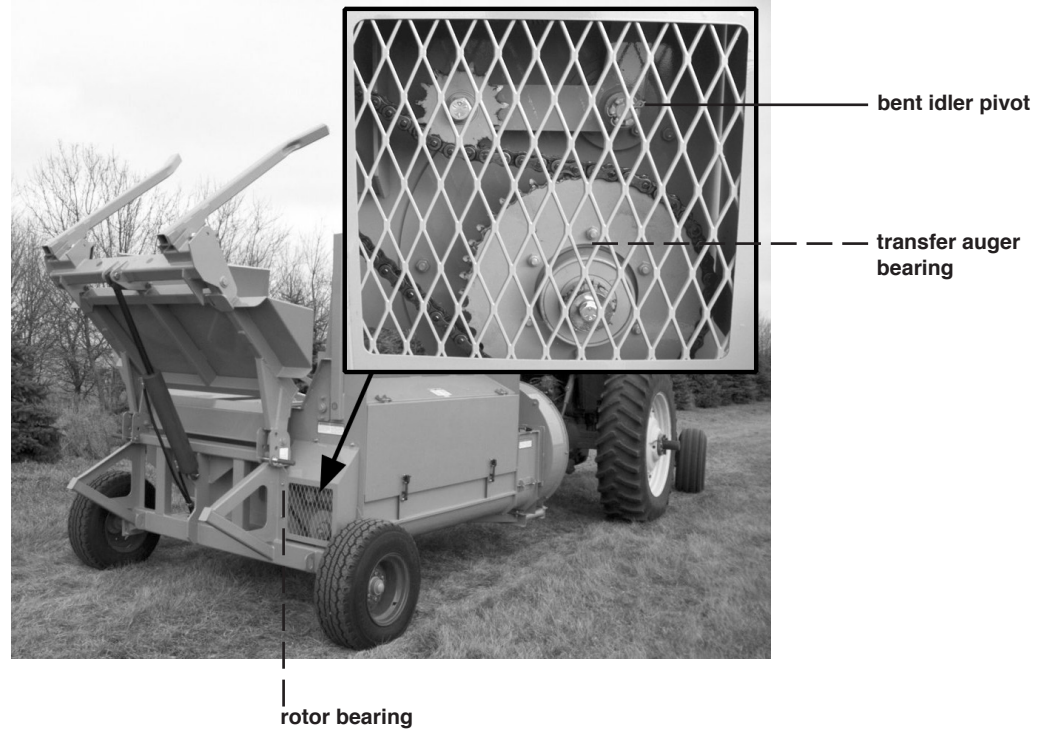
- Universal Joints - 2 see figure 4.3
- Telescoping Shaft - 1 see figure 4.3
- Driveline Support Bearings - 1 see figure 4.3
- Chain Case - 4 see figure 4.5 and figure 4.6



To insure best possible performance, all indicated locations should be greased as often as every four (4) hours under severe conditions. All grease points should be greased at equal intervals.

1. As many as 7 pumps of grease are required to purge all cross and bearing grease points with fresh grease.
2. Telescoping members require enough grease to maintain a smooth sliding action. When telescoping members become contaminated with dirty grease, they should be inspected and cleaned to insure smooth operation.
3. Shield components should be inspected to insure all components are in working condition or are replaced if damaged. A properly maintained shield will inhibit dirt from contaminating telescoping members.

Figure 4.1
Lubrication points for
bent idler pivot,
transfer auger bearing
and rotor bearing



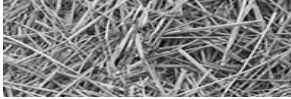


Figure 4.2
Lubrication points for fan house pivot, fan bearings and fan hand crank

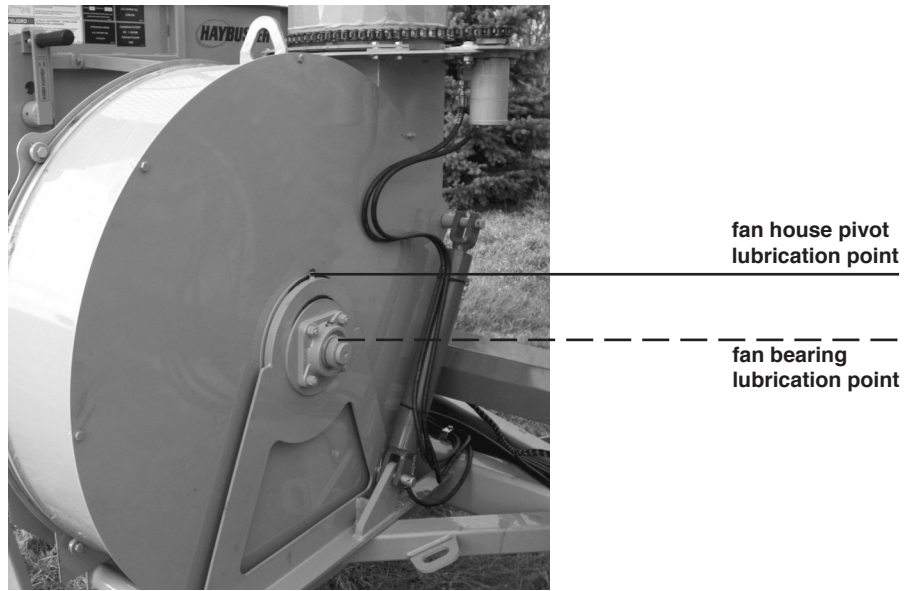
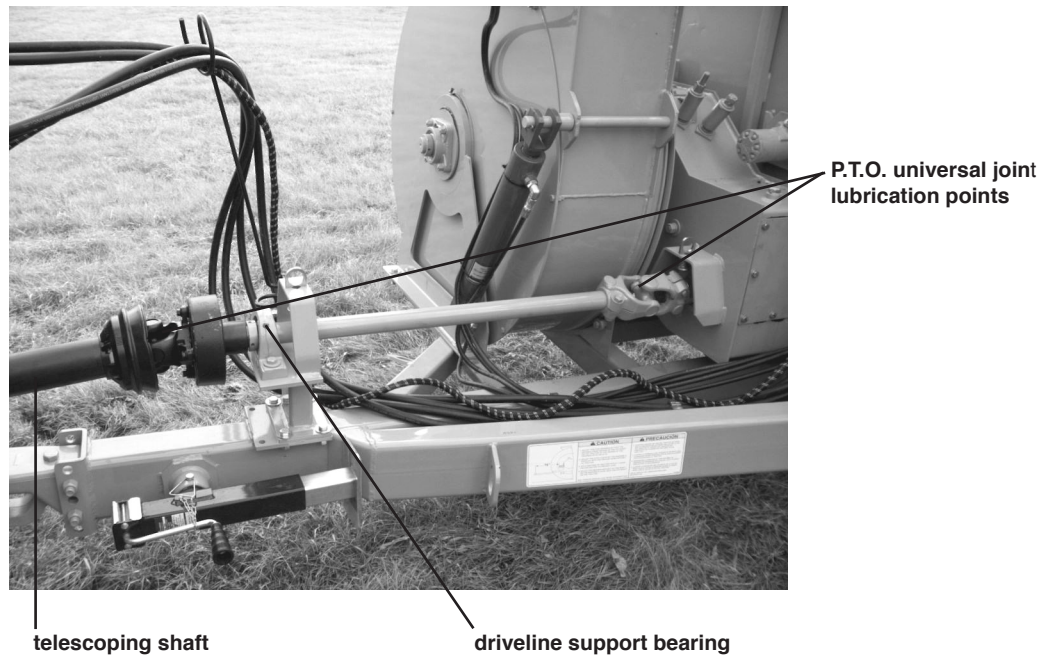


Figure 4.3
P.T.O. lubrication points



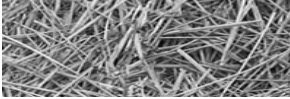
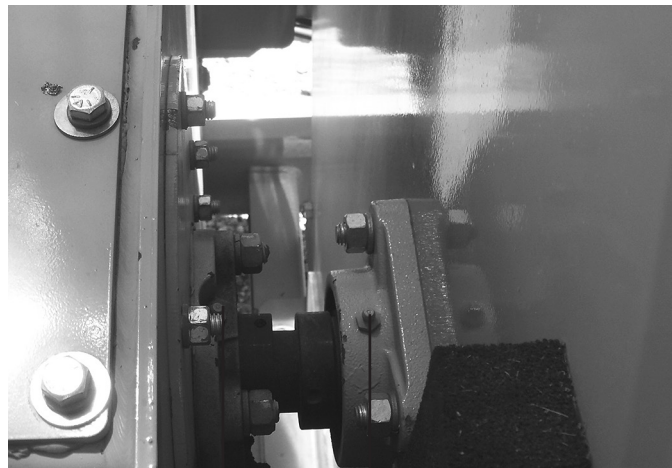


Figure 4.4
Lubrication points for
chain case bearing and fan
bearing



chain case bearing

fan bearing

Figure 4.5
Lubrication points for chain
case bearing

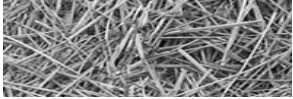


chain case bearing

Figure 4.6
Lubrication points for chain
case bearing



chain case bearing



4.2 Axle, wheels, tires

Repack wheel bearings annually.

4.3 Conveyor chain tension

Figure 4.7
Bale conveyor chain
tightener

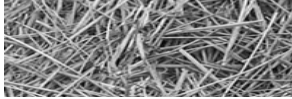


Bale conveyor chain tightener

Bale conveyor chain tension should be adjusted so the chain can be lifted 1" to 1-1/2" above the deck. Use the bale conveyor chain tightener shown in Fig 4.7 to tighten or loosen the bale conveyor chain tension.

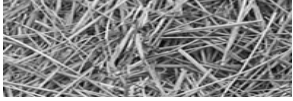
4.4 General appearance

Clean all mud, dirt, grease and other foreign material from the exterior of the machine. Cut all twine off from around the rotor, auger, and fan. Wash the entire machine. If washing the BALEBUSTER with a high pressure washer, keep the nozzle away from the sealed bearings. Repaint places where bare metal is exposed. - this will inhibit rusting.



Section 5: Troubleshooting

PROBLEM	CAUSE	REMEDY
1. No Capacity	1. Bale turning too slow.	1. Open conveyor speed control valve.
2. Bale Does Not Turn	1. Bale lodged in feeder.	1. Reverse rotation of slat conveyor
3. Excessive Vibration	<ol style="list-style-type: none"> 1. Broken Flail. 2. Defective cylinder bearing. 3. Misaligned or worn PTO 4. Build up of twine on rotor, auger, or fan. 5. Bent rotor, auger, or fan. 	<ol style="list-style-type: none"> 1. Replace Flail. 2. Replace Bearing. 3. Replace worn part or complete PTO. 4. Remove all twine from rotor, auger, and fan. 5. Replace as necessary
4. Machine Will Not Lift Bale	<ol style="list-style-type: none"> 1. Tractor hydraulic pressure too low. 2. Hydraulic oil leaking by piston in cylinder. 	<ol style="list-style-type: none"> 1. Check pressure. 2. Repair or replace hydraulic cylinder
5. Forage Too Coarse	<ol style="list-style-type: none"> 1. Conveyor speed too fast. 2. Slug bar set too low. 3. Screen removed or screen too coarse. 	<ol style="list-style-type: none"> 1. Decrease conveyor speed. 2. Raise slug bar to expose less flail. 3. Add a screen or install a finer screen
6. Forage Too Fine	<ol style="list-style-type: none"> 1. Conveyor speed too slow. 2. Slug bar set too high. 3. Screen installed. 	<ol style="list-style-type: none"> 1. Increase conveyor speed. 2. Lower slug bar to expose more flail. 3. Install coarser screen.
7. Fan Plugs	1. Too much material going through fan	<ol style="list-style-type: none"> 1. Slow conveyor speed down. 2. Adjust slug bars so less flail is exposed. 3. Install screen, or install finer screen.
8. Forage Blows Past Bunk When Bunk Feeding	1. Deflector spout too high.	1. Lower Deflector spout.
9. Forage Blows Out of Bunk		1. Reduce PTO speed.
10. Auger Plugs	1. Too much material going through fan.	<ol style="list-style-type: none"> 1. Slow conveyor speed down. 2. Adjust slug bars so less flail is exposed. 3. Install screen, or install finer screen.
11. Auger Feeding Side Discharge Conveyor Plugs	1. Too much material going through transition.	<ol style="list-style-type: none"> 1. Slow conveyor speed down. 2. Adjust slug bars so less flail is exposed. 3. Install screen, or install finer screen.



Appendix A: WARRANTY

Duratech Industries International Inc. warrants to the original purchaser for one year from purchase date that this product will be free from defects in material and workmanship when used as intended and under normal maintenance and operating conditions. This warranty is limited to the replacement of any defective part or parts returned to our factory in Jamestown, N.D., within thirty (30) days of failure.

This warranty shall become void if in DuraTech Industries International, Inc.'s, judgment the machine has been subject to misuse, negligence, alterations, damaged by accident or lack of required normal maintenance, or if the product has been used for a purpose for which it was not designed.

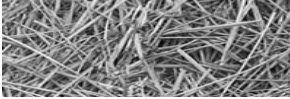
All claims for warranty must be made through the dealer which originally sold the product and all warranty adjustments must be made through same.

This warranty does not apply to tires or bearings or any other trade accessories not manufactured by DuraTech Industries International Inc.'s.. Buyer must rely solely on the existing warranty, if any, of these respective manufactures.

DuraTech Industries International Inc., shall **not** be held liable for damages of any kind, direct, contingent, or consequential to property under this warranty. DuraTech Industries International Inc., cannot be held liable for any damages resulting from causes beyond its control. DuraTech Industries International Inc., shall **not** be held liable under this warranty for loss of crops, or rental costs or any expense or loss for labor or supplies.

DuraTech Industries International Inc., reserves the right to make changes in material and/or designs of this product at any time without notice.

All other warranties made with respect to this product, either expressed or implied, are hereby disclaimed by DuraTech Industries International Inc.



Appendix B: 2564 BALEBUSTER Specifications

General:

Tractor H.P. required 100 HP (76.6 kw) to 155 HP (115.6 kw)
 Capacity5-1/2' long x 6-1/2' diameter, 2000 lbs. (1.67 m x 1.98m, 907.2 kg)
 Rotor Length78" (1.98 m)
 Rotor Diameter(flail tip to flail tip) 25-1/2" (64.8 cm)
 Flails - Swinging / Heavy Spring Steele 40
 Wheel - Taper Roller Bearings - Tire Size
 PTO 1000 RPM
 Dual Hydraulics (single hydraulic system optional) 1500 PSI (105.6 kgf/cm²)
 Tire Size See Appendix C
 Cylinder4-1/2" x 24" (11.43 cm x 60.96 cm) Double Acting

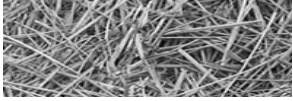
Transport Position:

Height129" (3.26 m)
 Width107" (2.71 m)
 Length.....198" (5.02 m)
 Weight6325 Lbs. (2,868.97 kg)

Working Positions:

Working Position 1 Bale Height.....129" (3.26 m)
 Length.....198" (5.02 m)
 Width123" (3.12 m)

Working Position 2 Bales Height129" (3.26 m)
 Length.....271" (6.88 m)
 Width123" (3.12 m)



Appendix C: Options

Hydraulic fan housing rotation, allows fan housing to be rotated “on the go”, requires 1 hydraulic valve and set of outlets on tractor

Hydraulic fan discharge spout rotation, allows discharge spout to be rotated on the go, also requires 1 hydraulic valve and set of outlets on tractor.

Cannon discharge spout, allows for spreading material over greater distance.

Shredder chamber right side extension.

Screens available are: 4-1/4” x 10-1/2”

6-1/2” x 10-1/2”

“No Loader” If machine is to be loaded by front end loader or the like, the loader may not be needed.

Manual fan housing rotation

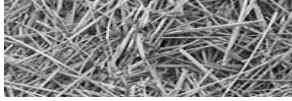
Curved spout

Slugbars - Fixed

Tires: 12.5L X 15 8 PLY IMP

31 X 10.5 X 15 “C” HWY

14L X 16.1 8 PLY FLOT IMP



Appendix D: Required For Operation



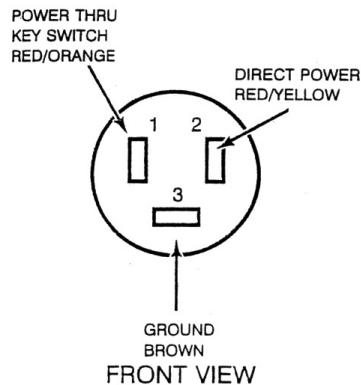
WARNING: Do not operate the BALEBUSTER unless the tractor complies with the following requirements:

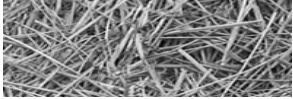
1. Horsepower - 80 HP minimum. 1000 rpm, 1-3/8" PTO shaft.
2. Rollover protective structure and seat-belts.
3. Hydraulic system - 8 gallons per minute (30 liters per minute) minimum, 1500 Psi minimum (105 bar).
4. Two double acting control valves.
5. The tractor must be of equal or greater weight than the BALEBUSTER and bale to assure adequate braking and steering control.
6. Counterbalance weight - It may be necessary to add weight to the front end of your tractor to maintain adequate tractor stability and control. At least 20% of the total weight must remain on the front axle.
7. Tractor os setup according to section 3.3.1 "tractor setup"
8. 12V D.C. Auxiliary power socket on tractor.

Three Pin Socket

An auxiliary power connection is provided inside the operators compartment for connecting monitors, implement controllers, C.B. radios and other 12-volt equipment.

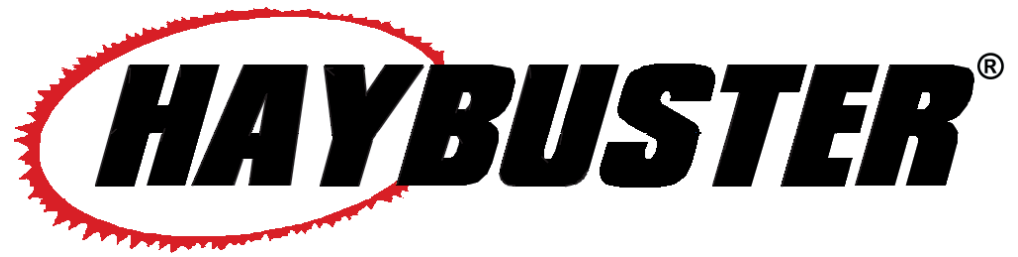
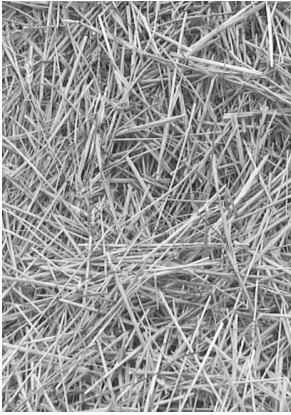
The three pin outlet is located on the right hand side to the rear of the seat. The outlet has a ground terminal and two 12-volt power terminals.





Appendix E: 2564 BALEBUSTER SHIPPING LIST

PART#	QUANTITY	DESCRIPTION
4800471	2	BOLT\HEX\1X7\NC
4900127	2	NUT\TPLCK\1\NC
8101033	1	TINE\SQ\LEFTHAND
8101075	1	TINE\SQ\RIGHTHAND
	1	CONTROL BOX CABLE ASSEMBLY



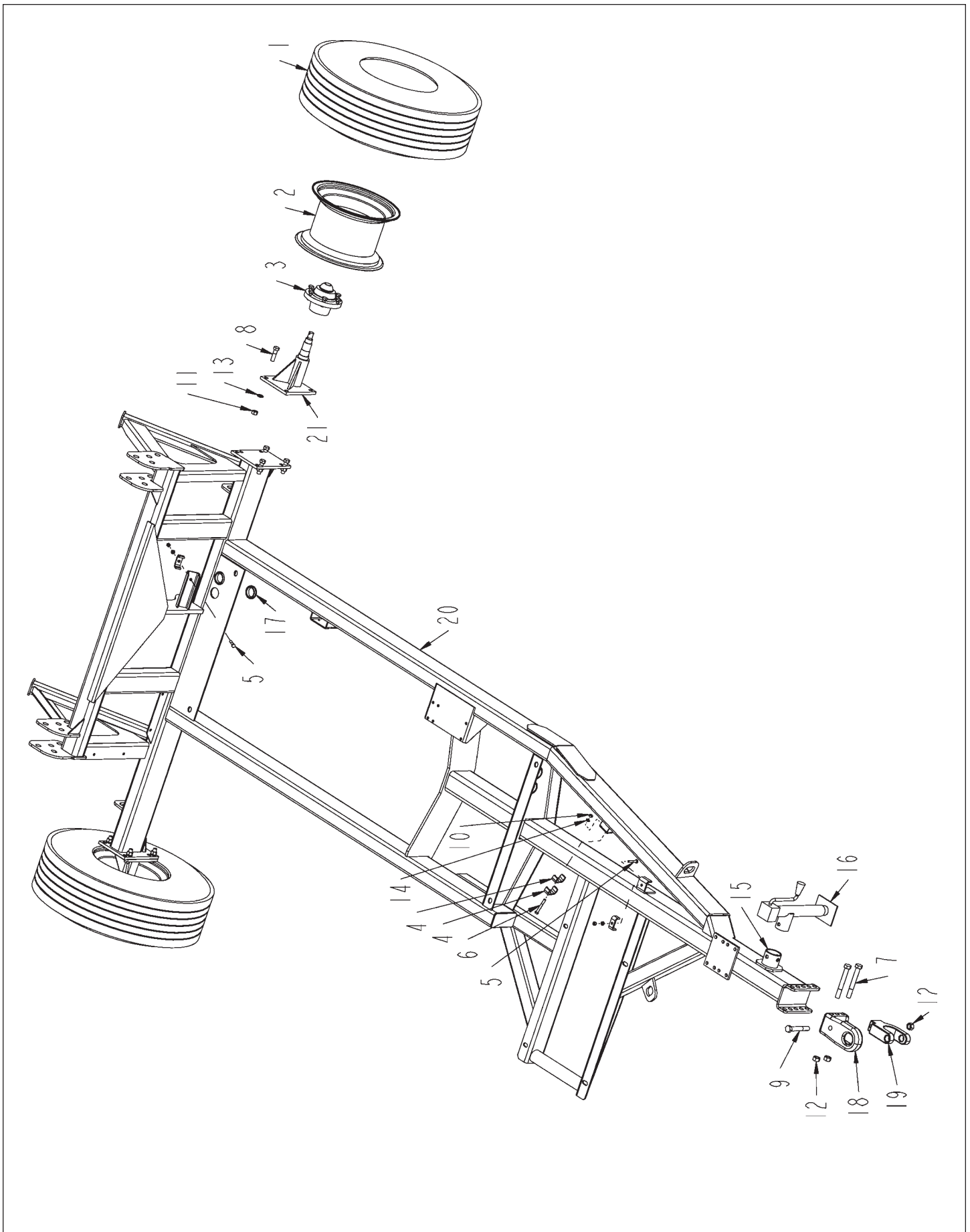
2564TM

BALEBUSTERTM

SERIAL NUMBER FJ053164 AND UP

Part 2: Parts Reference

MAIN FRAME ASSEMBLY (S.N. UP TO 0640)



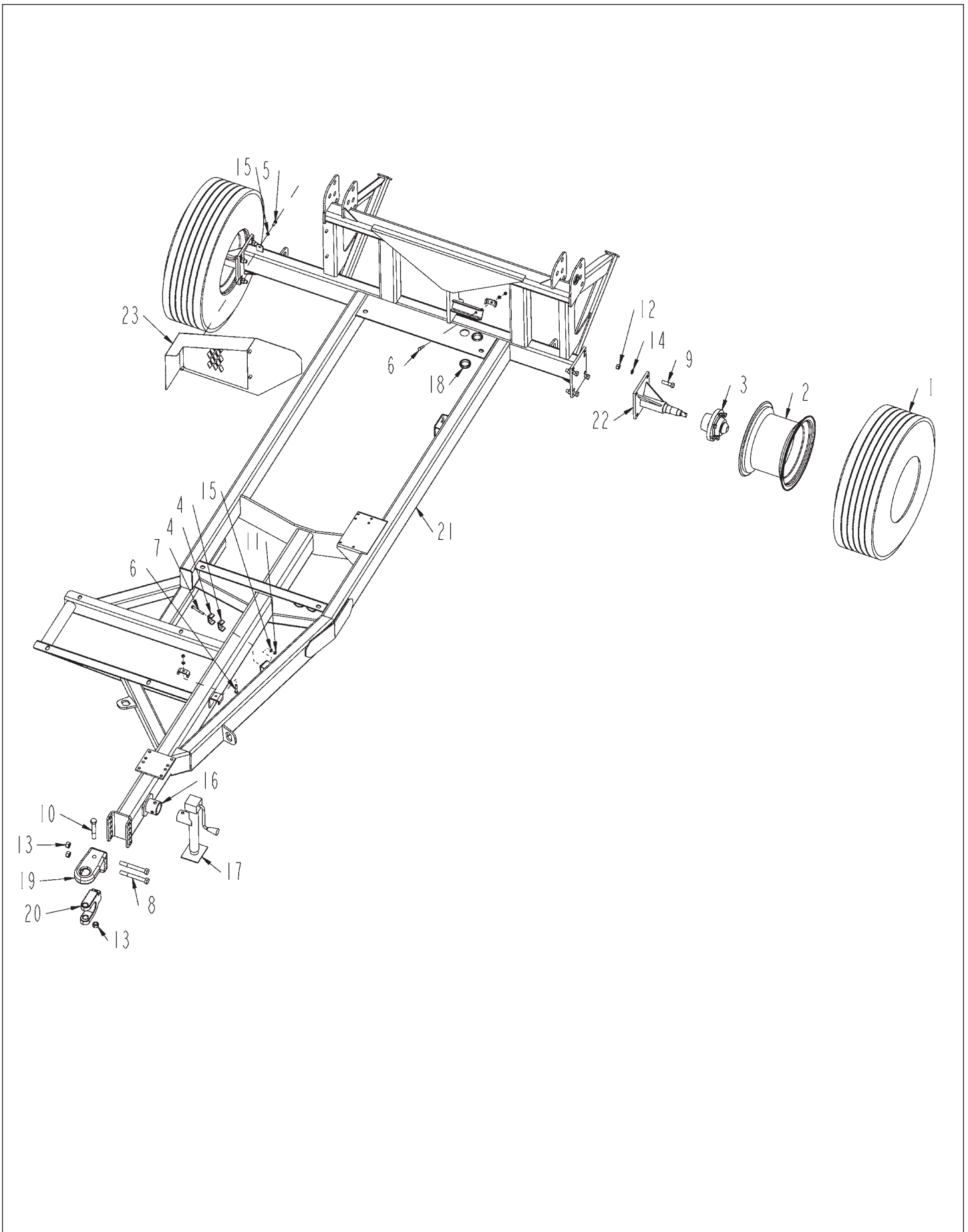
MAIN FRAME ASSEMBLY (S.N. UP TO 0640)

ITEM	PART NO.	QTY.	DESCRIPTION
1	2600046	2	12LX15 8 PLY TIRE
2	2600624	2	15 X 8 6 BOLT WHEEL
1&2	2600841		WHL\IMP\12.5L15\TIRE&RIM
3	2900069	2	HUB\COMPLETE\2900069
4	4700777	4	CLMP\HOSE\1/2
5	4800146	2	BOLT\HEX\3/8X2
6	4800156	1	BOLT\HEX\3/8X3
7	4800248	2	BOLT\HEX\3/4X6
8	4800350	8	BOLT\HEX\5/8X2-1/4
9	4800562	1	BOLT\HEX\3/4X5\GR8\NC
10	4900002	3	NUT\HEX\3/8\NC
11	4900005	8	NUT\HEX\5/8\NC
12	4900139	3	NUT\TPLCK\3/4\GR8\NC
13	5000003	8	WASH\LOCK\5/8
14	5000019	3	WASH\LOCK\3/8
15	5800630	1	TUBE\FEMALE\JACK\7000LB
16	5800632	1	JACK\5000LB\15"\SWIVEL-STYLE
17	7500360	4	GRMT\RBBR\2X1.75IDX1/4T
18	7501047	1	HITCH\BASE\#3\PPI\1"PIN
19	7501048	1	HITCH\CLEVIS\PPI\1"PIN
20	8101275	1	MNFRM\2564
21	8101703	2	SPNDL\BOLT-ON\HVY

NOT SHOWN

1100275	1	CHAIN\1/4\SFTY\AG\11000LB
4800382	1	BOLT\HEX\3/4X6-1/2
5000005	1	WASH\FLAT\3/4
5000030	1	WASH\FLAT\13/16\2OD\1/4T

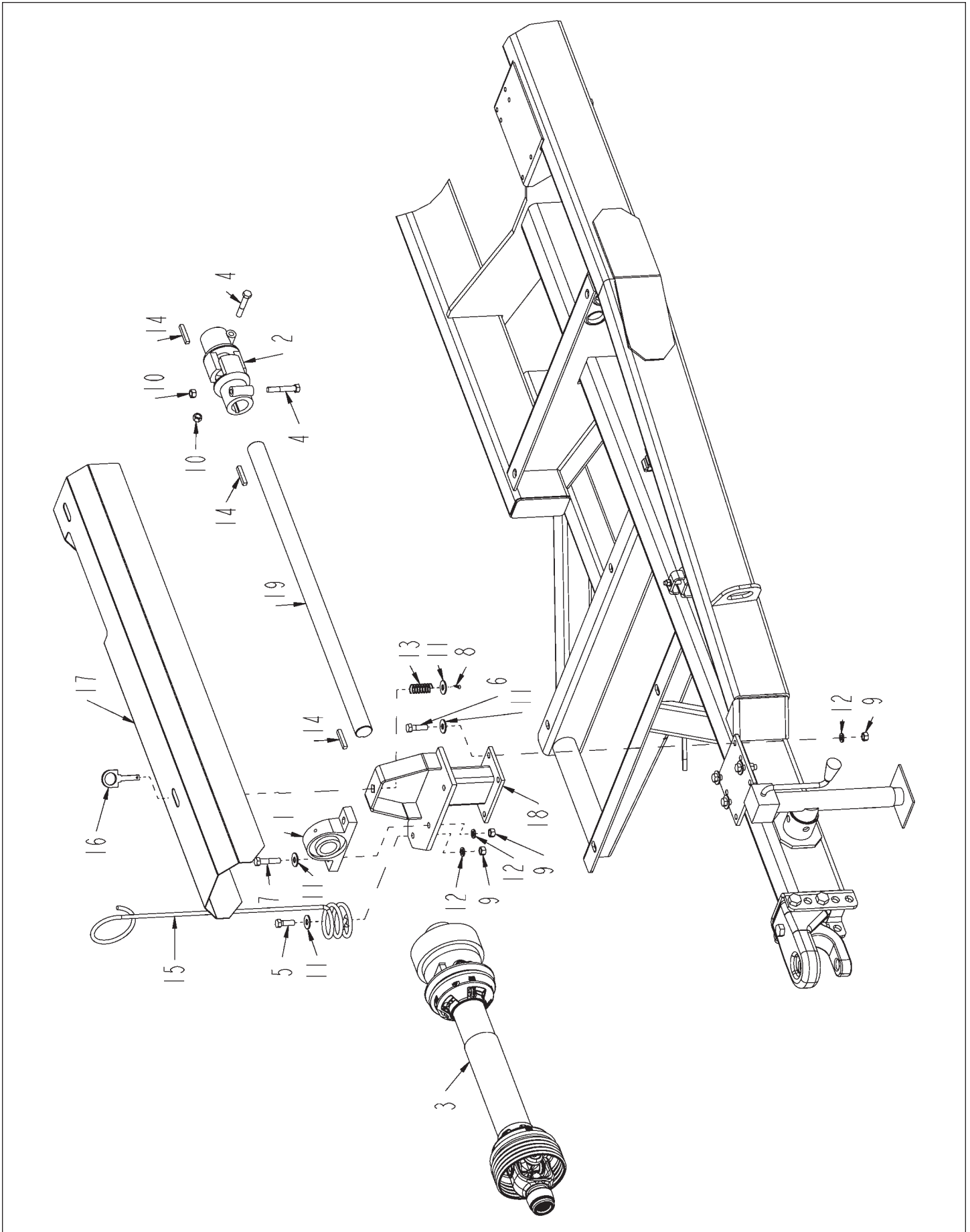
MAIN FRAME ASSEMBLY (S.N. 0641 AND UP)



MAIN FRAME ASSEMBLY (S.N. 0641 AND UP)

ITEM	PART NO.	QTY.	DESCRIPTION
1	2600046	2	12LX15 8 PLY TIRE
2	2600624	2	15 X 8 6 BOLT WHEEL
	2600841		WHL\IMP\12.5L15\TIRE&RIM (Includes items 1 & 2)
3	2900069	2	HUB\COMPLETE\2900069
3A	2900163	2	HUB\6-BOLT\875\COMPLETE (FOR SN 10084164 THRU 15131564)
3B	2900171		HUB\6-BOLT\STUDS\COMPLETE (SN 16131664 & UP)
4	4700777	4	CLMP\HOSE\1/2
5	4800003	3	BOLT\HEX\3/8X1
6	4800146	2	BOLT\HEX\3/8X2
7	4800156	1	BOLT\HEX\3/8X3
8	4800248	2	BOLT\HEX\3/4X6
9	4800350	8	BOLT\HEX\5/8X2-1/4
10	4800562	1	BOLT\HEX\3/4X5\GR8\NC
11	4900002	3	NUT\HEX\3/8\NC
12	4900005	8	NUT\HEX\5/8\NC
13	4900139	3	NUT\TPLCK\3/4\GR8\NC
14	5000003	8	WASH\LOCK\5/8
15	5000019	6	WASH\LOCK\3/8
16	5800624	1	TUBE\FEMALE\JACK\7000LB
17	5800632	1	JACK\5000LB\15"\SWIVEL-STYLE
18	7500360	4	GRMT\RBBR\2X1.75IDX1/4T
19	7501047	1	HITCH\BASE\#3\PPI\1"PIN
20	7501048	1	HITCH\CLEVIS\PPI\1"PIN
21	8101275	1	MNFRM\2564
22	8101703	2	SPNDL\BOLT-ON\HVY
22A	8101828	2	SPNDL\BOLT-ON\ (FOR SN 10084164 & UP)
23	8101729	1	SHLD\DRIVE\AUGER
NOT SHOWN			
	1100275	1	CHAIN\1/4\SFTY\AG\11000LB
	4800382	1	BOLT\HEX\3/4X6-1/2
	5000005	1	WASH\FLAT\3/4
	5000030	1	WASH\FLAT\13/16\2OD\1/4T

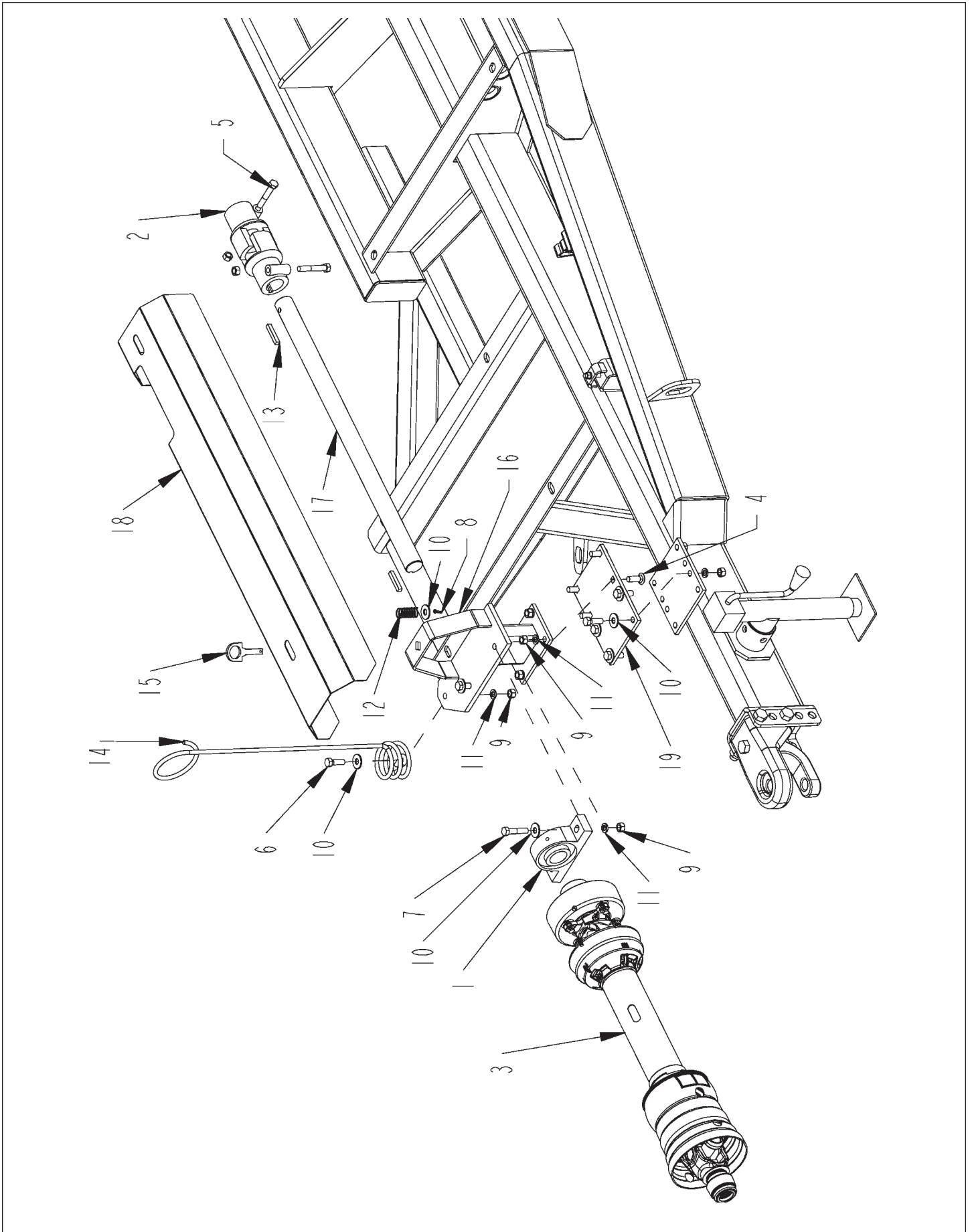
STANDARD DRIVE LINE ASSEMBLY



STANDARD DRIVE LINE ASSEMBLY

ITEM	PART NO.	QTY.	DESCRIPTION
1	2000514	1	BRG\PB\1-3/4\2BOLT\MALLEABLE
2	3600453	1	JOINT\44\1-3/4BORE\ASSY
3	3600670	1	PTO\COMP\44\21SP\1-3/8\>
4	4800068	2	BOLT\HEX\1/2X3
5	4800082	1	BOLT\HEX\1/2X1-1/2
6	4800178	4	BOLT\HEX\1/2X1-3/4
7	4800251	2	BOLT\HEX\1/2X2-1/4\NC
8	4800531	2	PIN\COT\3/16X3/4
9	4900001	7	NUT\HEX\1/2\NC
10	4900014	2	NUT\PLCK\1/2\NC
11	5000004	9	WASH\FLAT\1/2
12	5000006	7	WASH\LOCK\1/2
13	6100031	2	SPRING\COMP\.072W\25/32OD
14	6200020	3	KEY\SQ\3/8X2-1/4\HARDEND
15	7500170	1	HOSE MINDER
16	8101071	2	LATCH\SHLD
17	8101653	1	SHLD\PTO
18	8101655	1	STAND\PTO
19	8101701	1	SHFT\DRV\PTO

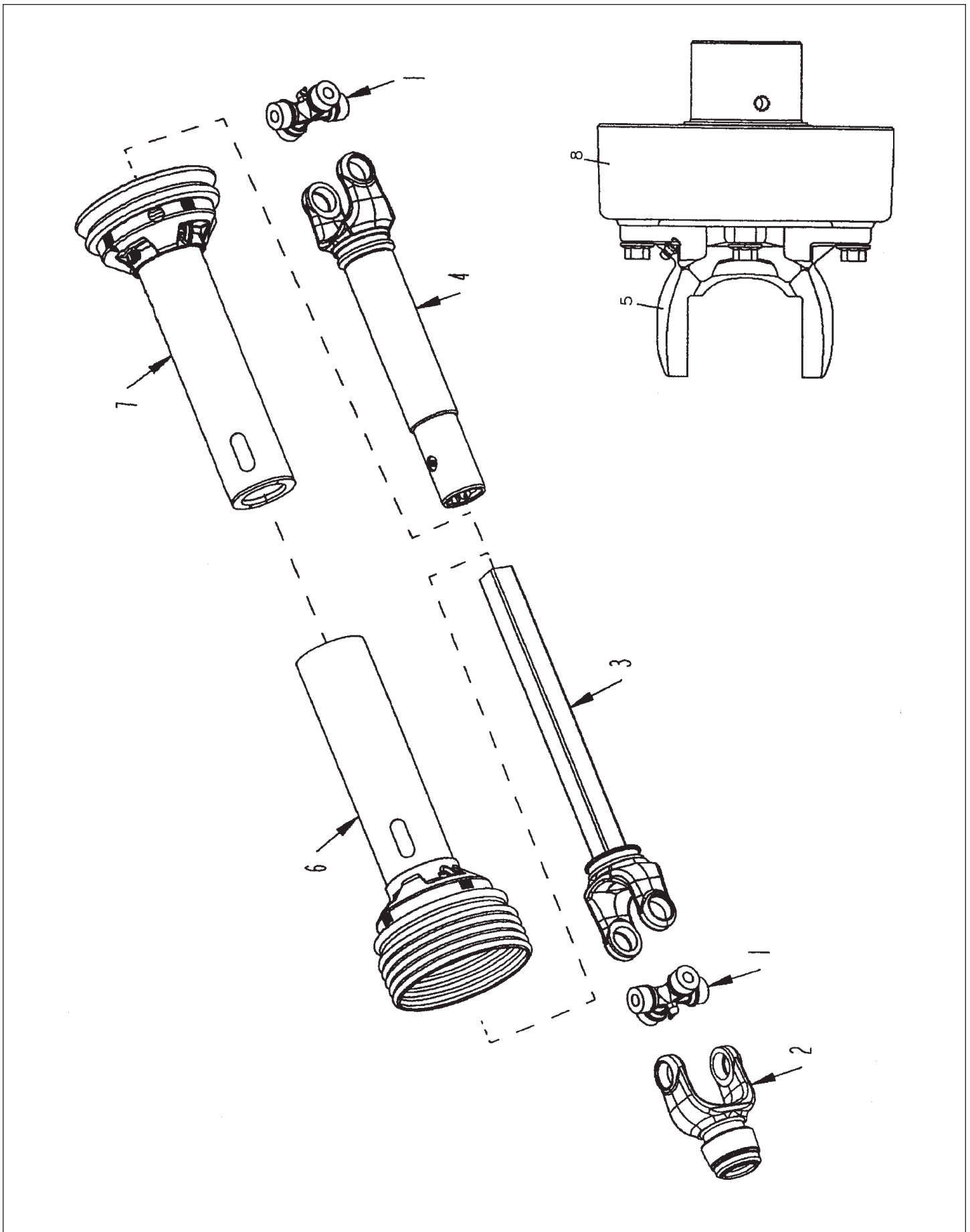
OPTIONAL DRIVE LINE ASSEMBLY



OPTIONAL DRIVE LINE ASSEMBLY

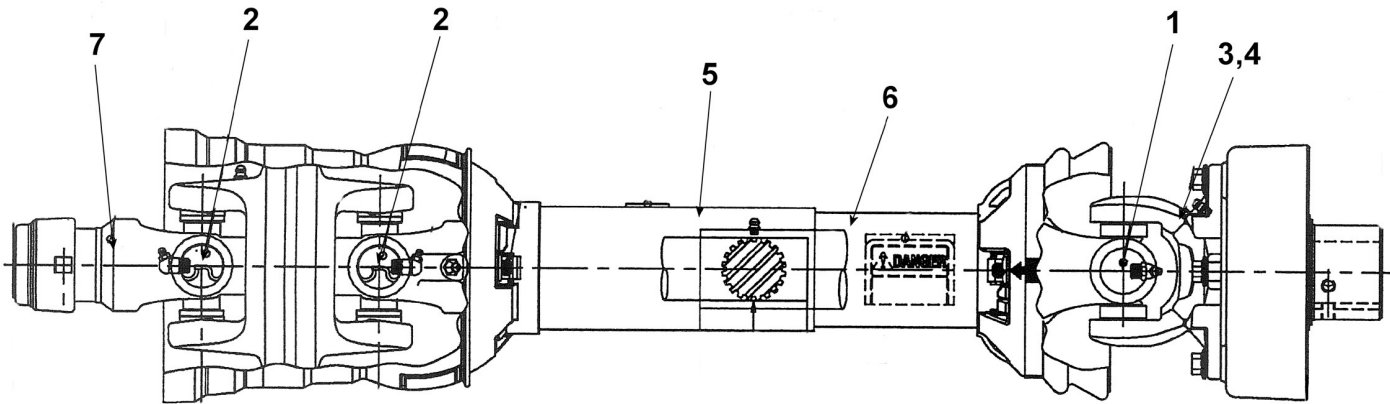
ITEM	PART NO.	QTY.	DESCRIPTION
1	2000514	1	BRG\PB\1-3/4\2BOLT\MALLEABLE
2	3600453	1	JOINT\44\1-3/4BORE\ASSY
3	3600672	1	PTO\44E\CAT5\80CV\21SP\1-3/8(THRU SN 0940)
3A	3600779		PTO\44E\CAT6\80WWCV\21SP\1-3/8(SN 0941 & UP)
4	4800061	4	BOLT\CRG\1/2X1-1/2\NC
5	4800068	2	BOLT\HEX\1/2X3
6	4800082	5	BOLT\HEX\1/2X1-1/2
7	4800251	2	BOLT\HEX\1/2X2-1/4\NC
8	4800531	1	PIN\COT\3/16X3/4
9	4900001	13	NUT\HEX\1/2\NC
10	5000004	8	WASH\FLAT\1/2
11	5000006	11	WASH\LOCK\1/2
12	6100031	1	SPRING\COMP\.072W\25/32OD
13	6200020	2	KEY\SQ\3/8X2-1/4\HARDEND
14	7500170	1	HOSE MINDER
15	8101071	1	LATCH\SHLD
16	8101655	1	STAND\PTO
17	8101739	1	SHFT\DRV\PTO
18	8101740	1	SHLD\PTO
19	8101741	1	MNT\PL\STND\PTO

PTO ASSEMBLY



PTO ASSEMBLY

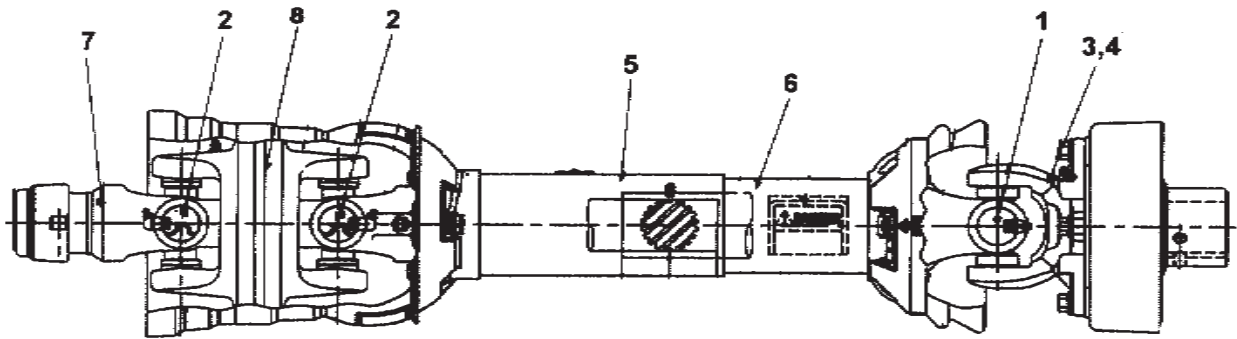
ITEM	PART NO.	QTY.	DESCRIPTION
	3600670		PTO\COMP\44\21SP\1-3/8\>
1	3600115	2	440 CROSS AND BEARING KIT
2	3600363	1	SLIDE LOCK YOKE ASSY
	3600271		SAFETY SLD LCK REPAIR KIT for 3600363
3	3600364	1	YOKE & SHAFT 3600334
4	3600368	1	YOKE,TUBE,SLIP SLEEVE
5	3600634	1	44 YOKE & HUB OVERRUNNING
	3600635		REPAIR KIT FOR 3600634
	3600636		JOINT & TUBE ASSY W/GUARD (INCLUDES 1,4,5,7,8)
6 & 7	3600460	1	GUARD\SET\PTO\3600459
8	3600671		CLTCH\AUTO\OVRRN\21000\>
	3600462		JOINT & SHAFT ASM W-GUARD (INCLUDES: 1,2,3,6)
	3600489		NYLON\REPAIR\KIT



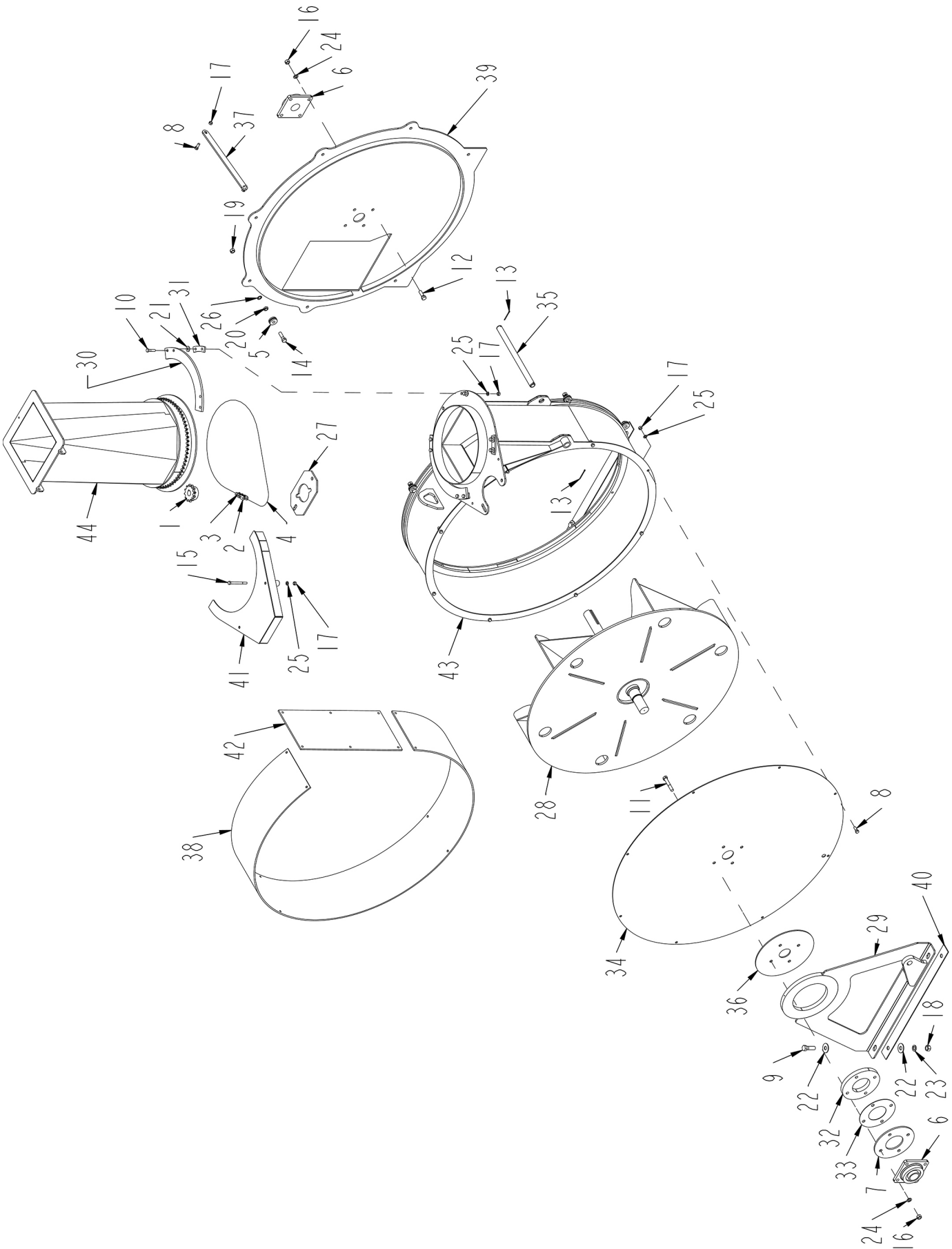
ITEM	PART NO.	QTY.	DESCRIPTION
1	3600604		CROSS&BRG\44E\WSLR
2	3600605		CROSS&BRG\CAT5\80DEG\CV
3	3600634		YOKE&HUB\OVERRUNNING\44
4	3600635		KIT\REP\FOR\3600634\>
5	3600678		PTO\HALF\TRAC\CV\3600672
6	3600679		PTO\HALF\MACH\3600672
7	3600689		YOKE\44E\1-3/8CV-21SPLINE\SSL
7a	3600818		YOKE\44E\1-3/8CV-6\CAT5\SSL>

3600779 PTO - WWCV EQUAL ARM - OPTIONAL S.N. 0941 AND UP

ITEM	PART NO.	QTY.	DESCRIPTION
	3600779		PTO\44E\CAT6\80WWCV\21SP
1	3600604		CROSS&BRG\44E\WSLR
2	3600764		CROSS&BRG\CAT6\80DEG\CV
3	3600634		YOKE&HUB\OVERRUNNING\44
4	3600635		KIT\REP\FOR\3600634\>
5	3600780		PTO\HALF\TRAC\80WWCV
6	3600679		PTO\HALF\MACH
7	3600763		YOKE\44E\1-3/8CV-21\CAT6\AL
7a	3600782		YOKE\44E\WWCV\1-3/4\20SP\AL
7b	3600823		YOKE\1-3/8CV-6\CAT6\AL\WWCV
8	3600765		CENTER-HOUSING



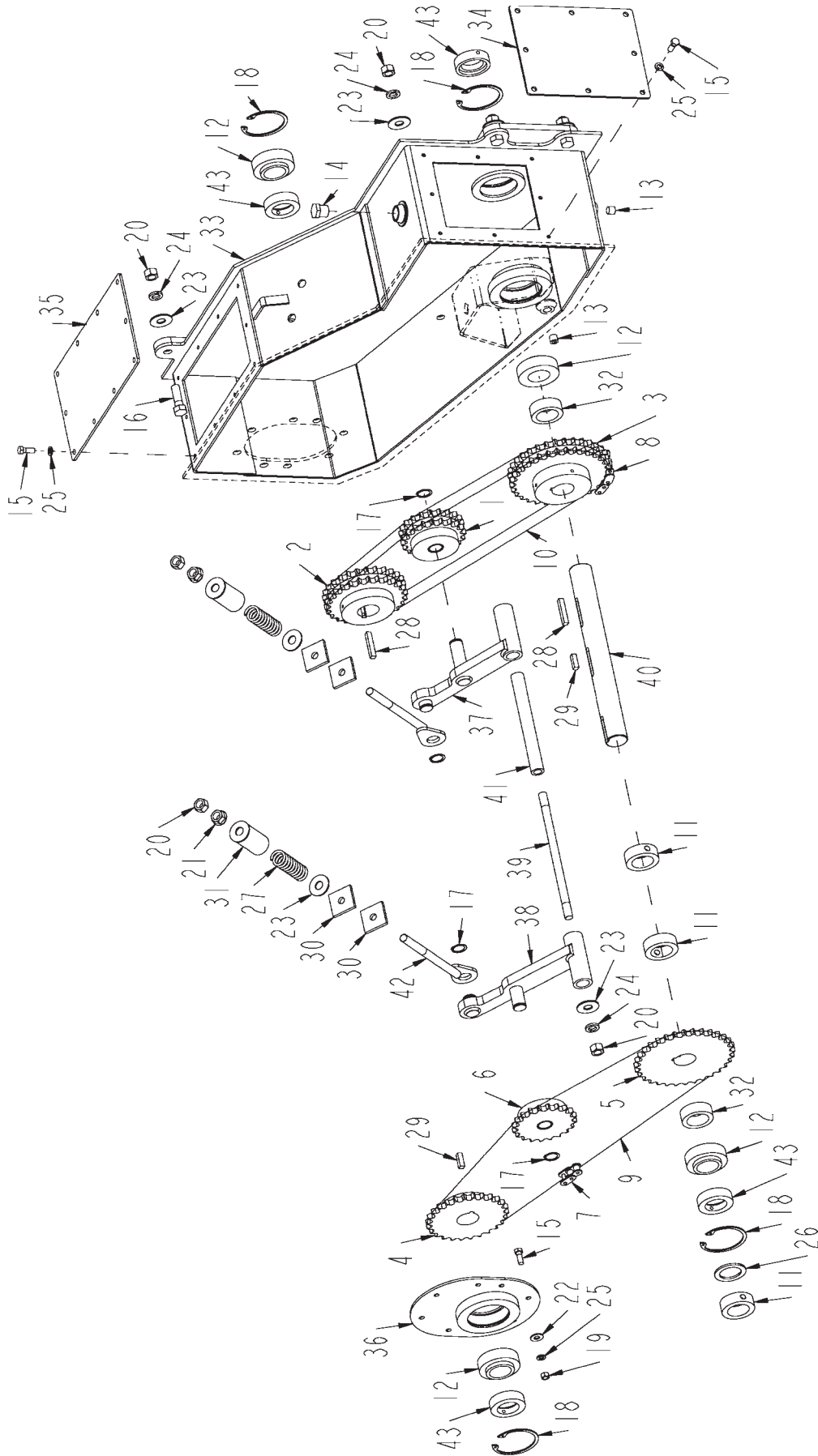
FAN ASSEMBLY



FAN ASSEMBLY

ITEM	PART NO.	QTY.	DESCRIPTION
1	1000129	1	SPKT\60\B\12\1\1/4KW
2	1100062	1	CHAIN\60\CL
3	1100063	1	CHAIN\60\OL
4	1100270	1	CHAIN\60\77
5	2000080	7	BRG\CAM\1/2" I.D.X1-1/2" O.D
6	2000311	2	BRG\FLG\CAST\1-3/4\4BOLT
7	4500529	1	PL\MNT\FAN
8	4800003	10	BOLT\HEX\3/8X1
9	4800010	4	BOLT\HEX\5/8X2
10	4800034	8	BOLT\HEX\3/8X1-1/2
11	4800068	4	BOLT\HEX\1/2X3
12	4800082	4	BOLT\HEX\1/2X1-1/2
13	4800172	2	PIN\COT\1/8X2
14	4800178	7	BOLT\HEX\1/2X1-3/4
15	4800516	2	BOLT\HEX\3/8X3-3/4\NC
16	4900001	8	NUT\HEX\1/2\NC
17	4900002	20	NUT\HEX\3/8\NC
18	4900005	4	NUT\HEX\5/8\NC
19	4900014	7	NUT\TPLCK\1/2\NC
20	4900046	7	NUT\JAM\1/2\NC
21	5000001	8	WASH\FLAT\3/8
22	5000002	8	WASH\FLAT\5/8
23	5000003	4	WASH\LOCK\5/8
24	5000006	8	WASH\LOCK\1/2
25	5000019	18	WASH\LOCK\3/8
26	5000134	7	WASH\LOCK\TOOTH\INT\1/2
27	8100542	1	MNT\MTR\ORBIT\FAN
28	8101274	1	RTR\FAN\2564
29	8101657	1	MNT\FRONT\FAN
30	8101663	2	DBLR\MNT\SWVL\FAN
31	8101664	4	MNT\SWVL\FAN
32	8101665	1	MNT\PL\FAN\3/4"
33	8101666	1	MNT\PL\FAN
34	8101681	1	SH\HSG\FAN
35	8101684	1	CYL\MNT\PIN
36	8101695	1	MNT\PL\FAN
37	8101697	1	BRACE\FAN\2564
38	8101720	1	SHT\LINER\FAN
39	8101726	1	HSG\FAN\REAR
40	8101735	2	SHIM\MNT\FAN\10GA
41	8101754	1	SHLD\CHN\RTT\FAN-TRANS
42	8101772	1	LNR\SPT\HSG\FAN
43	8101773	1	HSG\FAN\W-LINER\2564
44	8101847	1	TRANS\FAN

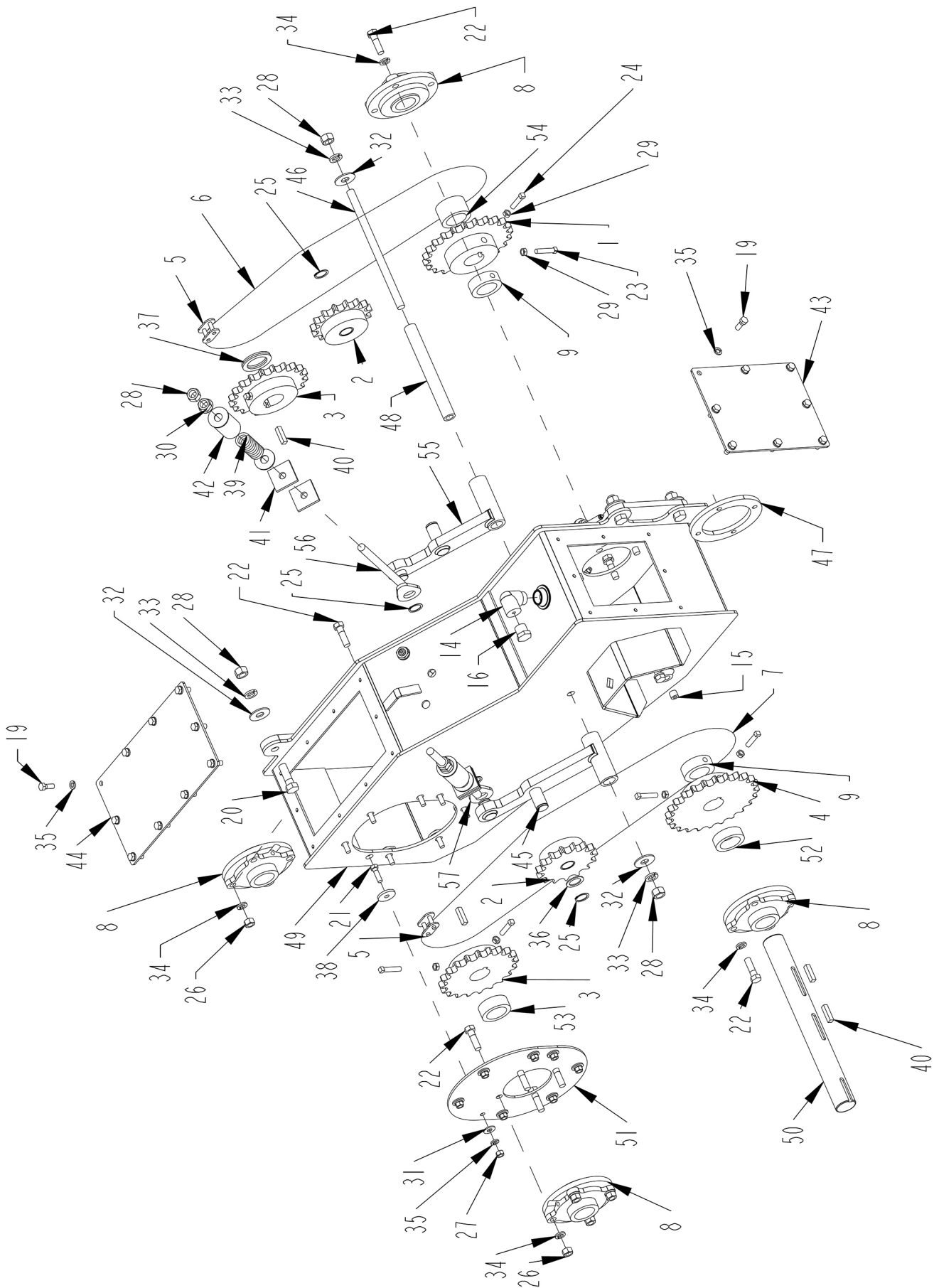
CHAIN CASE ASSEMBLY (S.N. UP TO 0640)



CHAIN CASE ASSEMBLY (S.N. UP TO 0640)

ITEM	PART NO.	QTY.	DESCRIPTION
1	1000234	1	SPKT\DBL\B\60\20\HT\IDLER\W-BUSHING
2	1000235	1	SPKT\DBL\60\B\26\1-3/4\3/8KW\2SS
3	1000236	1	SPKT\DBL\60\B\32\1-3/4\3/8KW\2SS
4	1000264	1	SPKT\60\B\26\1-3/4\3/8KW
5	1000265	1	SPKT\60\B\32\1-3/4\3/8KW
6	1000266	1	SPKT\B\60\20\1\IDLER
7	1100062	1	CHAIN\60\CL
8	1100064	1	CHAIN\60DBL\CL
9	1100272	1	CHAIN\60\99
10	1100273	1	CHAIN\60DBL\85
11	2000817	3	CLLR\SHFT\1-3/4\SET
12	2001041	4	BRG\CYL\1-3/4\W-ECC
13	3800326	2	FTG\3/8MP\PLUG\ALN
14	3800452	1	FTG\3/4MP\VENT\BREATHER
15	4800003	26	BOLT\HEX\3/8X1
16	4800010	4	BOLT\HEX\5/8X2
17	4800904	4	SNSPRNG\EXT\1"
18	4800921	4	SNSRNG\INT\3-11/16\HO-334\STPA
19	4900002	8	NUT\HEX\3/8\NC
20	4900005	8	NUT\HEX\5/8\NC
21	4900110	2	NUT\FLG\SERR\5/8\NC
22	5000001	8	WASH\FLAT\3/8
23	5000002	10	WASH\FLAT\5/8
24	5000003	6	WASH\LOCK\5/8
25	5000019	26	WASH\LOCK\3/8
26	5000051	1	WASH\MACH\1-3/4ID\10GA\PL
27	6100076	2	SPRING\1-1/4 O.D. X 3-3/4 LONG X 3/16 WIRE X 10 COILS
28	6200020	2	KEY\SQ\3/8X2-1/4\HARDEND
29	6200027	2	KEY\SQ\3/8X1-1/4
30	8101077	4	RUBBER\CUSHION
31	8101078	2	BRKT\LIMIT\SPRING
32	8101083	2	TUBE\SPCR\DRV\PTO
33	8101271	1	HSG\DRV\PTO
34	8101287	1	COVER\SIDE\GEARBOX
35	8101288	1	COVER\TOP\GEARBOX
36	8101289	1	MNT\BRG\CHAIN
37	8101295	1	BRKT\IDLER\DRIVE\RTR
38	8101296	1	BRKT\IDLER\DRIVE\FAN
39	8101303	1	ROD\CASE\CHAIN
40	8101619	1	SHFT\DRV\CHAIN
41	8101662	1	MNT\IDLER\DRV
42	8101675	2	ROD\TGHTNR\IDLER
43	2001041LC	4	LOCK COLLAR FOR 2001041

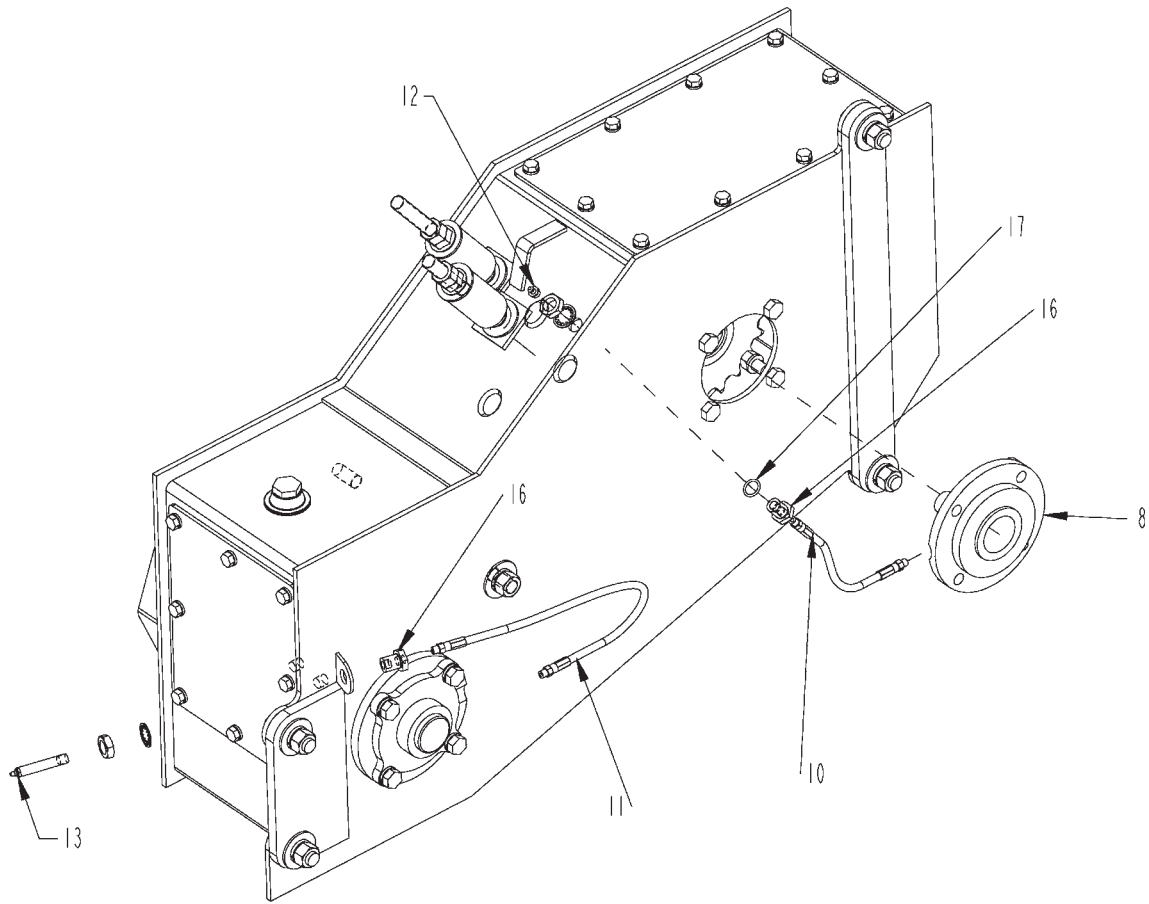
CHAIN CASE ASSEMBLY (S.N. 0641 AND UP)



CHAIN CASE ASSEMBLY (S.N. 0641 AND UP)

ITEM	PART NO.	QTY.	DESCRIPTION
1	1000252	1	SPKT\B\80\23\HT\1-3/4\3/8KW
2	1000276	2	SPKT\B\80\15\HT\1\IDLER
3	1000277	2	SPKT\80\B\20\HT\1-3/4\3/8KW
4	1000278	1	SPKT\80\B\24\HT\1-3/4\3/8KW
5	1100162	2	CHAIN\80H\CL
6	1100279	1	CHAIN\80H\63
7	1100280	1	CHAIN\80H\73
8	2000339	4	BRG\FLG\CAST\PILOTED\1-3/4
9	2000817	2	CLLR\SHFT\1-3/4\SET
10	3700770	1	HOSE\LUB\1/8X8-1/2\MPS-MPS
11	3700830	1	HOSE\LUB\1/8X16\MPS-MPS
12	3800043	1	FTG\LUB\1/8MPXZRK\SHORT
13	3800126	1	FTG\LUB\1/8MPXZRK\2-5/8
14	3800129	1	FTG\3/4MPX3/4FP\90D\ST;EL
15	3800326	2	FTG\3/8MP\PLUG\ALN
16	3800452	1	FTG\3/4MP\VENT\BREATHER
17	3800895	2	FTG\1/8FP\CPLG\ANCHOR\5/8NF
18	3800896	1	FTG\O-RING\5/8IDX13/16OD
19	4800003	18	BOLT\HEX\3/8X1
20	4800010	4	BOLT\HEX\5/8X2
21	4800098	8	BOLT\HEX\3/8X1-1/4\NC
22	4800178	16	BOLT\HEX\1/2X1-3/4
23	4800359	4	SCR\SET\SQ\3/8X1-3/4\NC
24	4800443	4	SCR\SET\SQ\3/8X1-1/2\NC
25	4800904	4	SNSPRNG\EXT\1"
26	4900001	8	NUT\HEX\1/2\NC
27	4900002	8	NUT\HEX\3/8\NC
28	4900005	8	NUT\HEX\5/8\NC
29	4900026	8	NUT\JAM\3/8\NC
30	4900110	2	NUT\FLG\SERR\5/8\NC
31	5000001	8	WASH\FLAT\3/8
32	5000002	10	WASH\FLAT\5/8
33	5000003	6	WASH\LOCK\5/8
34	5000006	16	WASH\LOCK\1/2
35	5000019	26	WASH\LOCK\3/8
36	5000040	2	WASH\BUSH;MACH\1
37	5000051	2	WASH\MACH\1-3/4ID\10GA\PL
38	5000096	8	WASH\FLAT\SPCL\13/32X7GAX1-1/2OD
39	6100076	2	SPRING\1-1/4ODX3-3/4 LX3/16WX10
40	6200021	4	KEY\SQ\3/8X1-1/2\HARDEND
41	8101077	4	RUBBER\CUSHION
42	8101078	2	BRKT\LIMIT\SPRING
43	8101287	1	COVER\SIDE\GEARBOX
44	8101288	1	COVER\TOP\GEARBOX
45	8101296	1	BRKT\IDLER\DRIVE\FAN
46	8101303	1	ROD\CASE\CHAIN
47	8101307	2	RING\MNT\BRG
48	8101662	1	MNT\IDLER\DRV
49	8101714	1	CASE\CHAIN\FLG-BRG\2564
50	8101716	1	SHFT\DRV\CHAIN
51	8101731	1	PL\BRG\CHAINCASE
52	8101732	1	TUBE\SPCR\DRV\PTO
53	8101733	1	TUBE\SPCR\DRV\PTO
54	8101734	1	TUBE\SPCR\DRV\PTO
55	8101736	1	BRKT\IDLER\DRIVE\RTR
56	8101737	1	ROD\TGHTNR\IDLER
57	8101738	1	ROD\TGHTNR\IDLER
	8101715		DRV\CHAIN\ASSY\W-FLG-BRG\2564

CHAIN CASE ASSEMBLY (S.N. 0641 AND UP)



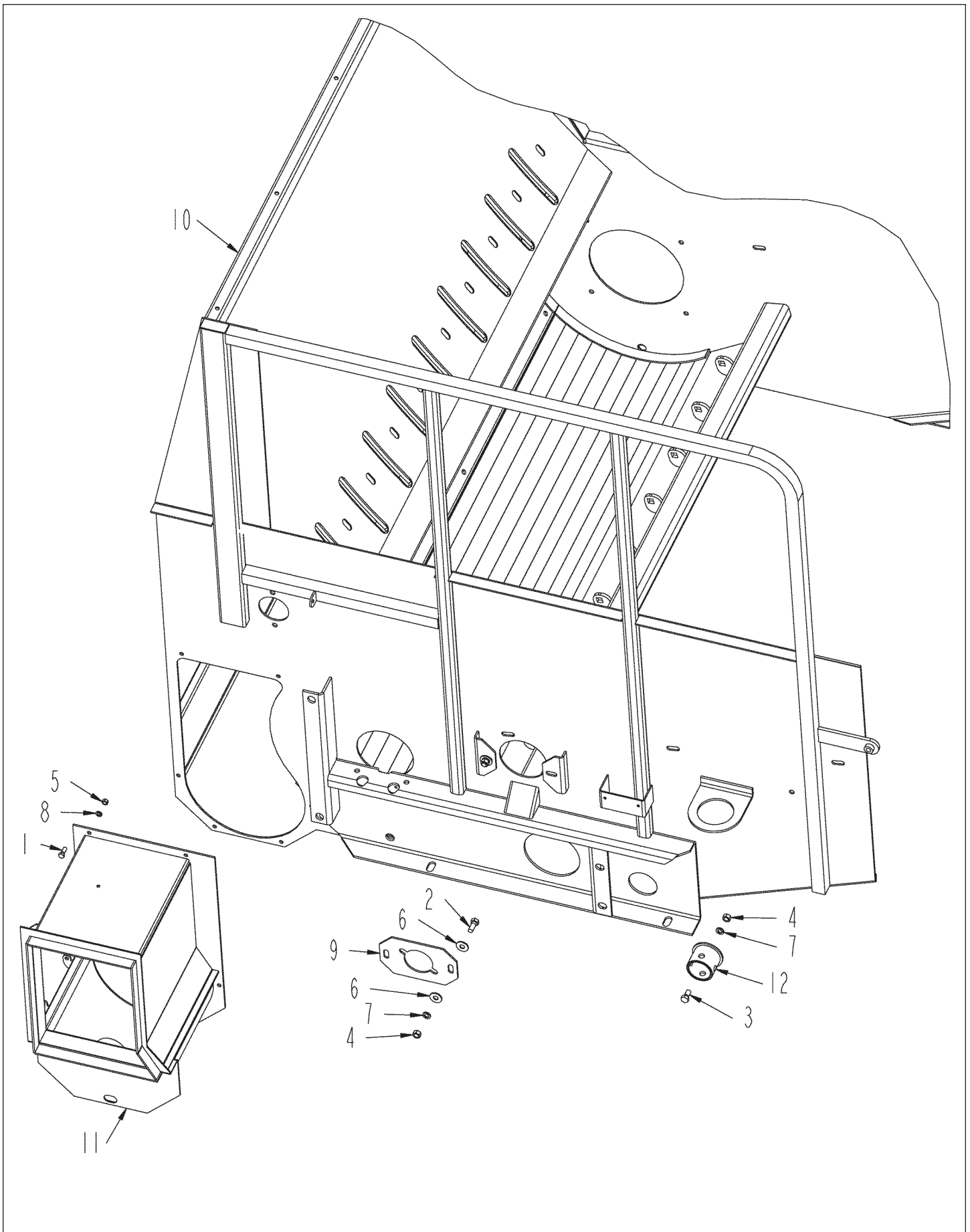
CHAIN CASE ASSEMBLY (S.N. 0641 AND UP)

ITEM	PART NO.	QTY.	DESCRIPTION
1	1000252	1	SPKT\B\80\23\HT\1-3/4\3/8KW
2	1000276	2	SPKT\B\80\15\HT\1\IDLER
3	1000277	2	SPKT\80\B\20\HT\1-3/4\3/8KW
4	1000278	1	SPKT\80\B\24\HT\1-3/4\3/8KW
5	1100162	2	CHAIN\80H\CL
6	1100279	1	CHAIN\80H\63
7	1100280	1	CHAIN\80H\73
8	2000339	4	BRG\FLG\CAST\PILOTED\1-3/4
9	2000817	2	CLLR\SHFT\1-3/4\SET
10	3700770	1	HOSE\LUB\1/8X8-1/2\MPS-MPS
11	3700830	1	HOSE\LUB\1/8X16\MPS-MPS
12	3800043	1	FTG\LUB\1/8MPXZRK\SHORT
13	3800126	1	FTG\LUB\1/8MPXZRK\2-5/8
14	3800326	2	FTG\3/8MP\PLUG\ALN
15	3800452	1	FTG\3/4MP\VENT\BREATHER
16	3800895	2	FTG\1/8FP\CPLG\ANCHOR\5/8NF
17	3800896	1	FTG\O-RING\5/8IDX13/16OD
18	4800003	18	BOLT\HEX\3/8X1
19	4800010	4	BOLT\HEX\5/8X2
20	4800098	8	BOLT\HEX\3/8X1-1/4\NC
21	4800178	16	BOLT\HEX\1/2X1-3/4
22	4800359	4	SCR\SET\SQ\3/8X1-3/4\NC
23	4800443	4	SCR\SET\SQ\3/8X1-1/2\NC
24	4800904	4	SNSPRNG\EXT\1"
25	4900001	8	NUT\HEX\1/2\NC
26	4900002	8	NUT\HEX\3/8\NC
27	4900005	8	NUT\HEX\5/8\NC
28	4900026	8	NUT\JAM\3/8\NC
29	4900110	2	NUT\FLG\SERR\5/8\NC
30	5000001	8	WASH\FLAT\3/8
31	5000002	10	WASH\FLAT\5/8
32	5000003	6	WASH\LOCK\5/8
33	5000006	16	WASH\LOCK\1/2
34	5000019	26	WASH\LOCK\3/8
35	5000040	2	WASH\BUSH\MACH\1
36	5000051	2	WASH\MACH\1-3/4ID\10GA\PL
37	5000096	8	WASH\FLAT\SPCL\13/32X7GAX1-1/2OD
38	6100076	2	SPRING\1-1/4ODX3-3/4 LX3/16WX10
39	6200021	4	KEY\SQ\3/8X1-1/2\HARDEND
40	8101077	4	RUBBER\CUSHION
41	8101078	2	BRKT\LIMIT\SPRING
42	8101287	1	COVER\SIDE\GEARBOX
43	8101288	1	COVER\TOP\GEARBOX
44	8101296	1	BRKT\IDLER\DRIVE\FAN
45	8101303	1	ROD\CASE\CHAIN
46	8101307	2	RING\MNT\BRG
47	8101662	1	MNT\IDLER\DRV
48	8101714	1	CASE\CHAIN\FLG-BRG\2564
49	8101716	1	SHFT\DRV\CHAIN
50	8101731	1	PL\BRG\CHAINCASE
51	8101732	1	TUBE\SPCR\DRV\PTO
52	8101733	1	TUBE\SPCR\DRV\PTO
53	8101734	1	TUBE\SPCR\DRV\PTO
54	8101736	1	BRKT\IDLER\DRIVE\RTR
55	8101737	1	ROD\TGHTNR\IDLER
56	8101738	1	ROD\TGHTNR\IDLER

8101715

DRV\CHAIN\ASSY\W-FLG-BRG\2564

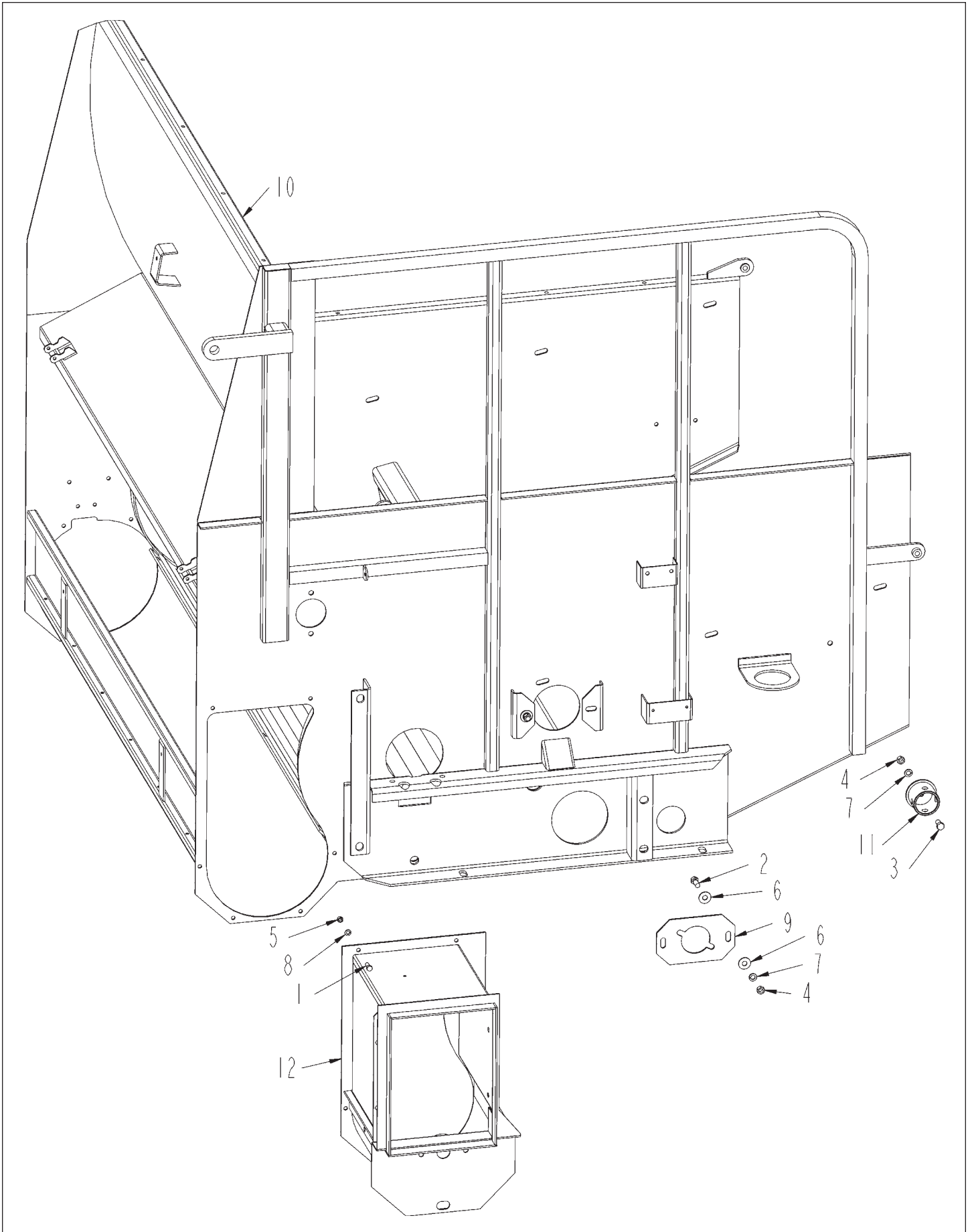
SHREDDER ASSEMBLY FRONT (THRU S.N. 10089064)



SHREDDER ASSEMBLY FRONT (THRU S.N. 10089064)

ITEM	PART NO.	QTY.	DESCRIPTION
1	4800003	6	BOLT\HEX\3/8X1
2	4800018	2	BOLT\HEX\1/2X1-1/4
3	4800085	1	BOLT\HEX\1/2X1
4	4900001	3	NUT\HEX\1/2\NC
5	4900002	6	NUT\HEX\3/8\NC
6	5000004	4	WASH\FLAT\1/2
7	5000006	3	WASH\LOCK\1/2
8	5000019	6	WASH\LOCK\3/8
9	8100036	1	MNT\MTR\HYD
10	8101268	1	FRM\SHREDDER\2564
11	8101671	1	AUGER\EXT
12	8101748	1	BRKT\STRGWJACK

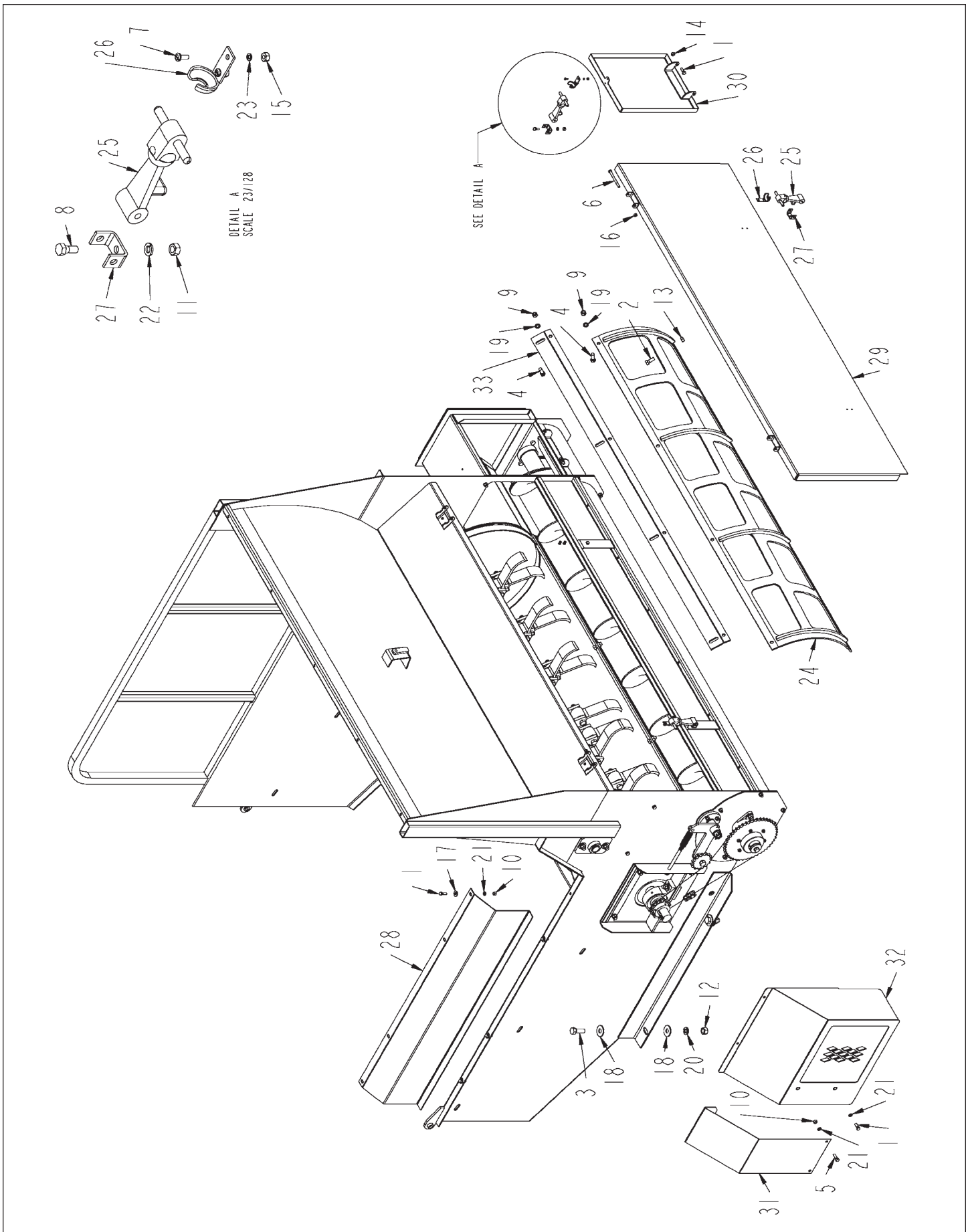
SHREDDER ASSEMBLY FRONT (S.N. 10089164 & UP)



SHREDDER ASSEMBLY FRONT (S.N. 10089164 & UP)

ITEM	PART NO.	QTY.	DESCRIPTION
1	4800003	1	BOLT\HEX\3/8X1
2	4800018	2	BOLT\HEX\1/2X1-1/4
3	4800085	1	BOLT\HEX\1/2X1
4	4900001	3	NUT\HEX\1/2\NC
5	4900002	1	NUT\HEX\3/8\NC
6	5000004	4	WASH\FLAT\1/2
7	5000006	3	WASH\LOCK\1/2
8	5000019	1	WASH\LOCK\3/8
9	8100036	1	MNT\MTR\HYD
10	8101268	1	FRM\SHREDDER\2564
11	8101748	1	BRKT\STRGJACK
12	8101817	1	AUGER\EXT

SHREDDER ASSEMBLY - SHIELDS, DOOR, & SCREEN (S.N. UP TO 0640)



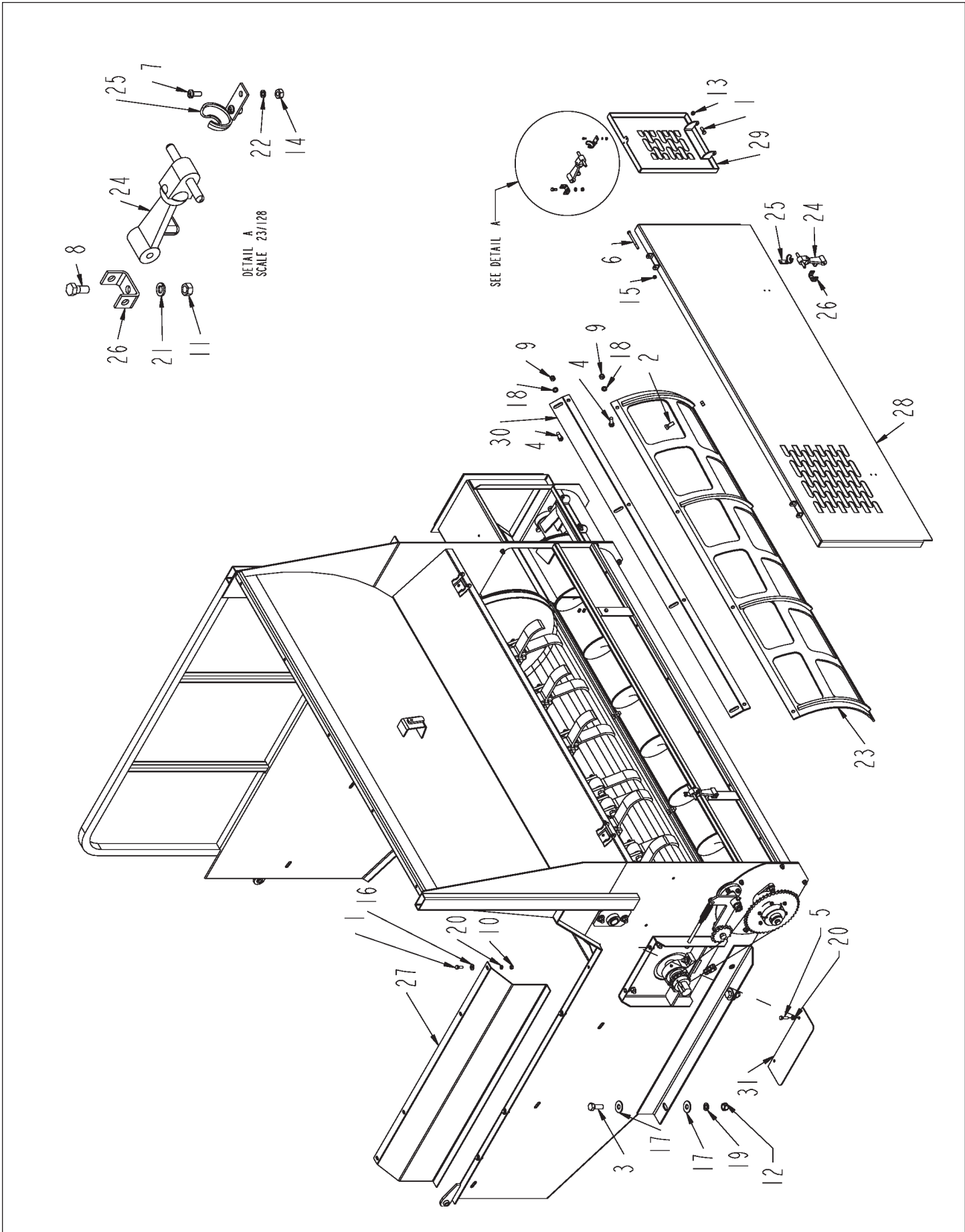
SHREDDER ASSEMBLY - SHIELDS, DOOR, & SCREEN (S.N. UP TO 0640)

ITEM	PART NO.	QTY.	DESCRIPTION
1	4800003	10	BOLT\HEX\3\8X1
2	4800018	4	BOLT\HEX\1\2X1-1\4
3	4800033	4	BOLT\HEX\3\4X2
4	4800082	8	BOLT\HEX\1\2X1-1\2
5	4800098	2	BOLT\HEX\3\8X1-1\4\NC
6	4800198	2	BOLT\HEX\5\16X3-3\4
7	4800468	6	SCR\RD\SLOT\#10X1\2
8	4800643	3	BOLT\HEX\5\16X3\4
9	4900001	8	NUT\HEX\1\2\NC
10	4900002	6	NUT\HEX\3\8\NC
11	4900003	3	NUT\HEX\5\16\NC
12	4900004	4	NUT\HEX\3\4\NC
13	4900014	4	NUT\TPLCK\1\2\NC
14	4900023	2	NUT\TPLCK\3\8\NC
15	4900072	6	NUT\HEX\#10\NC
16	4900099	2	NUT\TPLCK\5\16\GR8\NC
17	5000001	4	WASH\FLAT\3\8
18	5000005	8	WASH\FLAT\3\4
19	5000006	8	WASH\LOCK\1\2
20	5000012	4	WASH\LOCK\3\4
21	5000019	10	WASH\LOCK\3\8
22	5000022	3	WASH\LOCK\5\16
23	5000071	6	WASH\LOCK;EXT\STAR\#10
24			SEE SCREEN LIST
25	7500166	3	LATCH\RBBR\6
26	7500190	3	LATCH\RBBR\CATCH\6
27	7500347	3	LATCH\RBBR\MNT\6
28	8101070	1	SHLD\REAR\SHRDR
29	8101281	1	DOOR\SHREADER\2564
30	8101282	1	DOOR\AUGER EX\2564
31	8101302	1	SHLD\BRG\REAR\RTR
32	8101690	1	SHLD\AUG\DRIVE
33	8101702	1	MNT\SCRN\BTTM\SHREDDER

SCREENS

5400128	SCRN\4-1\4X10-1\2
5400129	SCRN\6-1\2X10-1\2
5400135	SCRN\2HL\ROUND
5400136	SCRN\3HL\ROUND
5400137	SCRN\4HL\ROUND

SHREDDER ASSEMBLY - SHIELDS, DOOR, & SCREEN
(S.N. 0641 THRU S.N. 10089064)



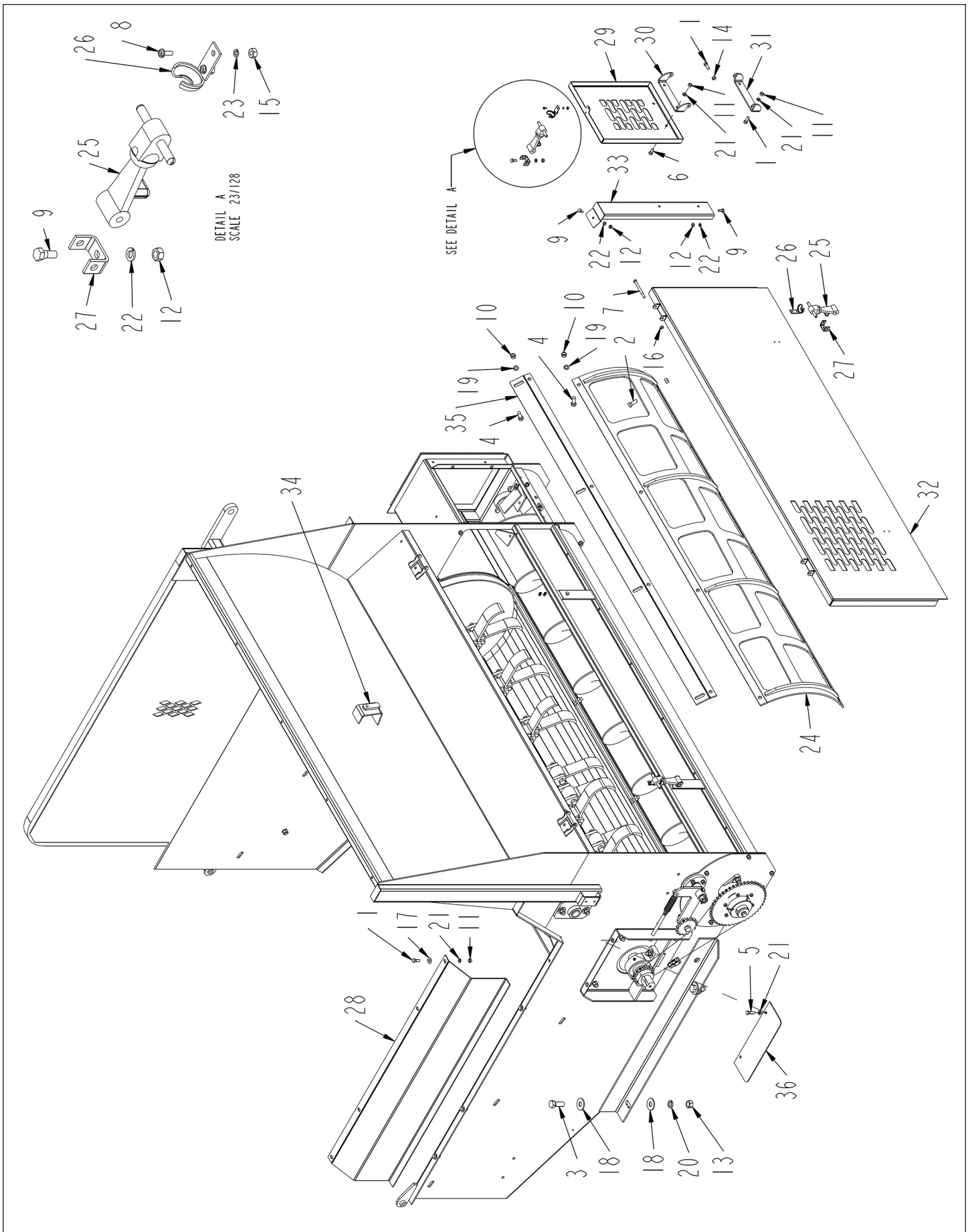
**SHREDDER ASSEMBLY - SHIELDS, DOOR, & SCREEN
(S.N. 0641 THRU S.N. 10089064)**

ITEM	PART NO.	QTY.	DESCRIPTION
1	4800003	18	BOLT\HEX\3/8X1
2	4800018	11	BOLT\HEX\1/2X1-1/4
3	4800033	4	BOLT\HEX\3/4X2
4	4800082	16	BOLT\HEX\1/2X1-1/2
5	4800098	6	BOLT\HEX\3/8X1-1/4\NC
6	4800198	2	BOLT\HEX\5/16X3-3/4
7	4800468	6	SCR\RD\SLOT\#10X1/2
8	4800643	3	BOLT\HEX\5/16X3/4
9	4900001	28	NUT\HEX\1/2\NC
10	4900002	20	NUT\HEX\3/8\NC
11	4900003	3	NUT\HEX\5/16\NC
12	4900004	4	NUT\HEX\3/4\NC
13	4900023	2	NUT\TPLCK\3/8\NC
14	4900072	6	NUT\HEX\#10\NC
15	4900099	8	NUT\TPLCK\5/16\GR8\NC
16	5000001	4	WASH\FLAT\3/8
17	5000005	8	WASH\FLAT\3/4
18	5000006	27	WASH\LOCK\1/2
19	5000012	4	WASH\LOCK\3/4
20	5000019	22	WASH\LOCK\3/8
21	5000022	3	WASH\LOCK\5/16
22	5000071	6	WASH\LOCK;EXT\STAR\#10
23		1	SEE SCREEN LIST BELOW
24	7500166	3	LATCH\RBBR\6
25	7500190	3	LATCH\RBBR\CATCH\6
26	7500347	3	LATCH\RBBR\MNT\6
27	8101070	1	"SHLD\REAR\SHRDR\2650"
28	8101281	1	DOOR\SHREADER\2564
29	8101282	1	DOOR\AUGER EX\2564
30	8101702	1	MNT\SCRN\BTTM\SHREDDER
31	8101745	1	SHLD\DRV\AUGER

SCREENS

5400128	SCRN\4-1/4X10-1/2
5400129	SCRN\6-1/2X10-1/2
5400135	SCRN\2HL\ROUND
5400136	SCRN\3HL\ROUND
5400137	SCRN\4HL\ROUND

SHREDDER ASSEMBLY - SHIELDS, DOOR, & SCREEN
(S.N. 10089164 & UP)



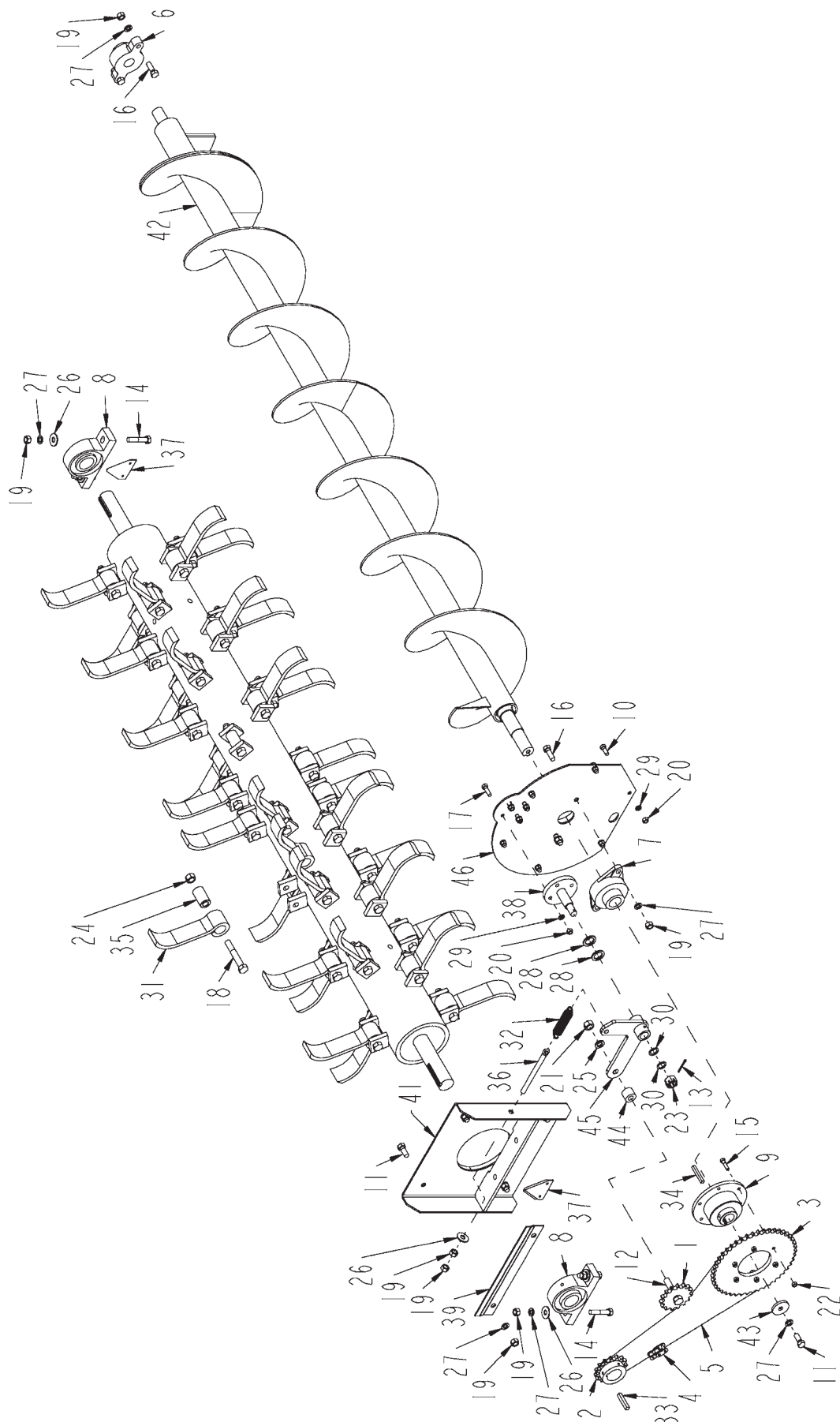
**SHREDDER ASSEMBLY - SHIELDS, DOOR, & SCREEN
(S.N. 10089164 & UP)**

ITEM	PART NO.	QTY.	DESCRIPTION
1	4800003	20	BOLT\HEX\3/8X1
2	4800018	11	BOLT\HEX\1/2X1-1/4
3	4800033	4	BOLT\HEX\3/4X2
4	4800082	16	BOLT\HEX\1/2X1-1/2
5	4800098	6	BOLT\HEX\3/8X1-1/4\NC
6	4800164	2	BOLT\HEX\3/8X3/4
7	4800198	2	BOLT\HEX\5/16X3-3/4
8	4800468	6	SCR\RD\SLOT\#10X1/2
9	4800643	5	BOLT\HEX\5/16X3/4
10	4900001	29	NUT\HEX\1/2\NC
11	4900002	24	NUT\HEX\3/8\NC
12	4900003	5	NUT\HEX\5/16\NC
13	4900004	4	NUT\HEX\3/4\NC
14	4900023	2	NUT\TPLCK\3/8\NC
15	4900072	6	NUT\HEX\#10\NC
16	4900099	8	NUT\TPLCK\5/16\GR8\NC
17	5000001	4	WASH\FLAT\3/8
18	5000005	8	WASH\FLAT\3/4
19	5000006	28	WASH\LOCK\1/2
20	5000012	4	WASH\LOCK\3/4
21	5000019	26	WASH\LOCK\3/8
22	5000022	5	WASH\LOCK\5/16
23	5000071	6	WASH\LOCK;EXT\STAR\#10
24		1	SEE SCREEN LIST BELOW
25	7500166	3	LATCH\RBBR\6
26	7500190	3	LATCH\RBBR\CATCH\6
27	7500347	3	LATCH\RBBR\MNT\6
28	8101070	1	SHLD\REAR\SHRDR
29	8101334	1	DOOR\AUGER EX
30	8101336	1	HINGE\DOOR
31	8101337	1	HINGE\DOOR
32	8101338	1	DOOR\SHREDDER\2564
33	8101339	1	FLLR\DOOR\SHRDR
34	8101678	1	LATCH\DOOR
35	8101702	1	MNT\SCRN\BTM\SHREDDER
36	8101745	1	SHLD\DRV\AUGER

SCREENS

5400128	SCRN\4-1/4X10-1/2
5400129	SCRN\6-1/2X10-1/2
5400135	SCRN\2HL\ROUND
5400136	SCRN\3HL\ROUND
5400137	SCRN\4HL\ROUND

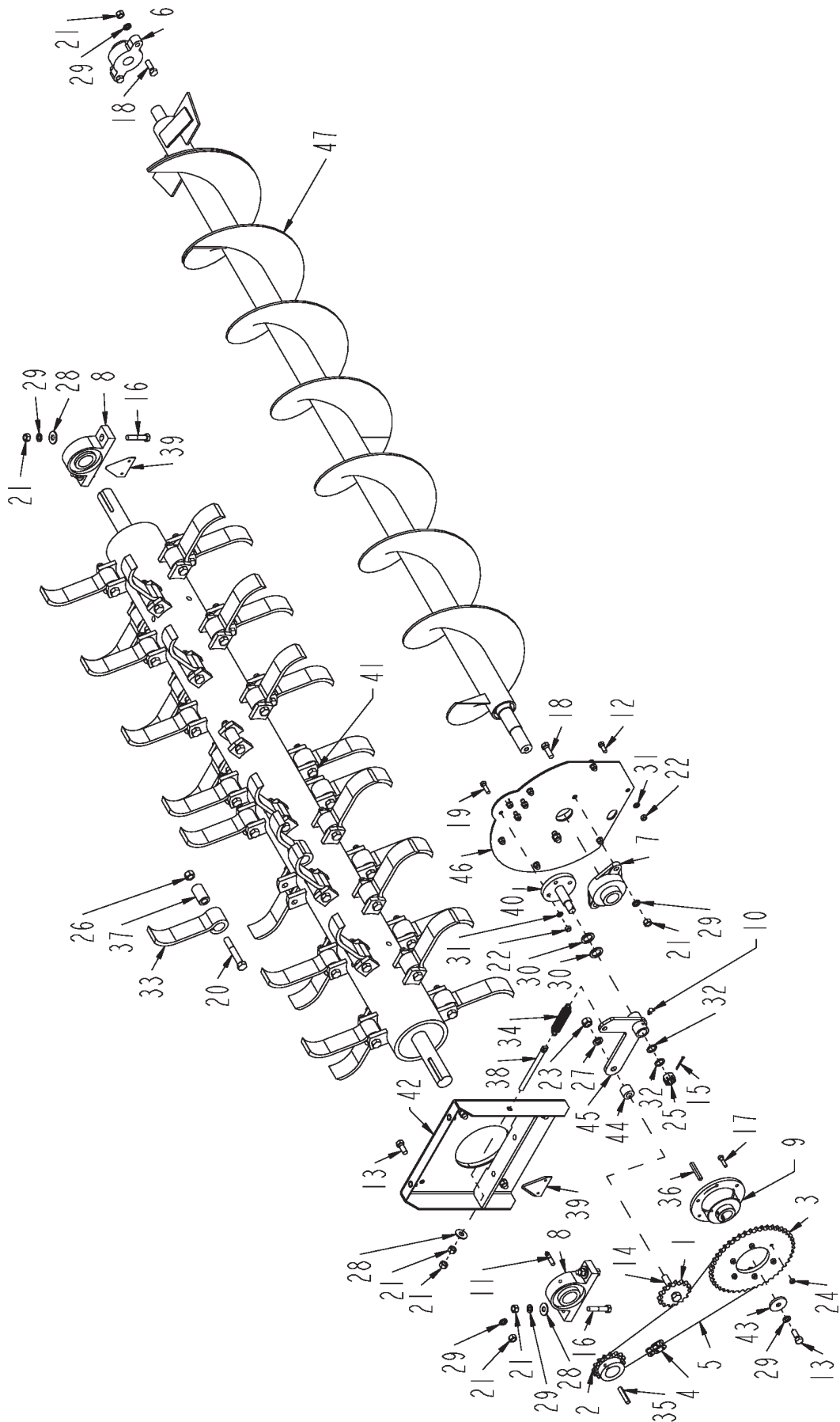
ROTOR AND AUGER ASSEMBLY (S.N. UP TO 0640)



ROTOR AND AUGER ASSEMBLY (S.N. UP TO 0640)

ITEM	PART NO.	QTY.	DESCRIPTION
1	1000007	1	SPKT\15\5/8\IDLER
2	1000086	1	SPKT\60\B\15\1-3/4\3/8
3	1000275	1	SPKT\A\60\45\4-1/2\BORE
4	1100062	1	CHAIN\60\CL
5	1100268	1	CHAIN\60\87
6	2000301	1	BRG\FLG\CAST\1-1/4\2BOLT
7	2000308	1	BRG\FLG\CAST\1-1/2\2BOLT
8	2000514	2	BRG\PB\1-3/4\2BOLT\MALLEABLE
9	3600599	1	CLTCH\AUTOW\MNT_PLT
10	4800003	6	BOLT\HEX\3/8X1
11	4800018	5	BOLT\HEX\1/2X1-1/4
12	4800021	1	BOLT\HEX\5/8X3
13	4800044	1	PIN\COT\5/32X1-1/2
14	4800070	4	BOLT\HEX\1/2X2-1/2
15	4800071	6	BOLT\HEX\5/16X1-1/4
16	4800082	4	BOLT\HEX\1/2X1-1/2
17	4800098	4	BOLT\HEX\3/8X1-1/4\NC
18	4800598	40	BOLT\HEX\5/8X4\NF\GR8
19	4900001	14	NUT\HEX\1/2\NC
20	4900002	10	NUT\HEX\3/8\NC
21	4900005	1	NUT\HEX\5/8\NC
22	4900099	6	NUT\TPLCK\5/16\GR8\NC
23	4900116	1	NUT\SLOT\3/4\NF
24	4900179	40	NUT\TPLCK\5/8\GR9\NF
25	5000003	1	WASH\LOCK\5/8
26	5000004	5	WASH\FLAT\1/2
27	5000006	13	WASH\LOCK\1/2
28	5000018	2	WASH\FLAT\1\10GA\1-1/2 O.D.
29	5000019	10	WASH\LOCK\3/8
30	5000041	2	WASH\3/4\ID\1-1/8OD\16GA
31	5200012	40	FLAIL\BB\8
32	6100036	1	1 O.D. X 4 5/16 SPRING
33	6200020	1	KEY\SQ\3/8X2-1/4\HARDEND
34	6200060	1	KEY\SQ\5/16X2-1/2
35	7500223	40	BUSH\FLAIL\1-1/4X5/8\DX2L
36	7500716	1	ROD\ARM
37	7501050	2	PLATE\SICKLE
38	8100571	1	MNT\IDLER
39	8100879	1	MNT\SHLD\REAR\BRG\RTR
40	8101269	1	ROTOR 640\620
41	8101280	1	BRKT\BRG\REAR\RTR
42	8101284	1	AUGER
43	8101301	1	WASH\FLAT\17/32\2ODX1/4T
44	8101305	1	SPCR\IDLER\CHAIN\AUGER
45	8101652	1	BRKT\BELL\CRANK\
46	8101677	1	HSG\END\AUGER-PAN\2564

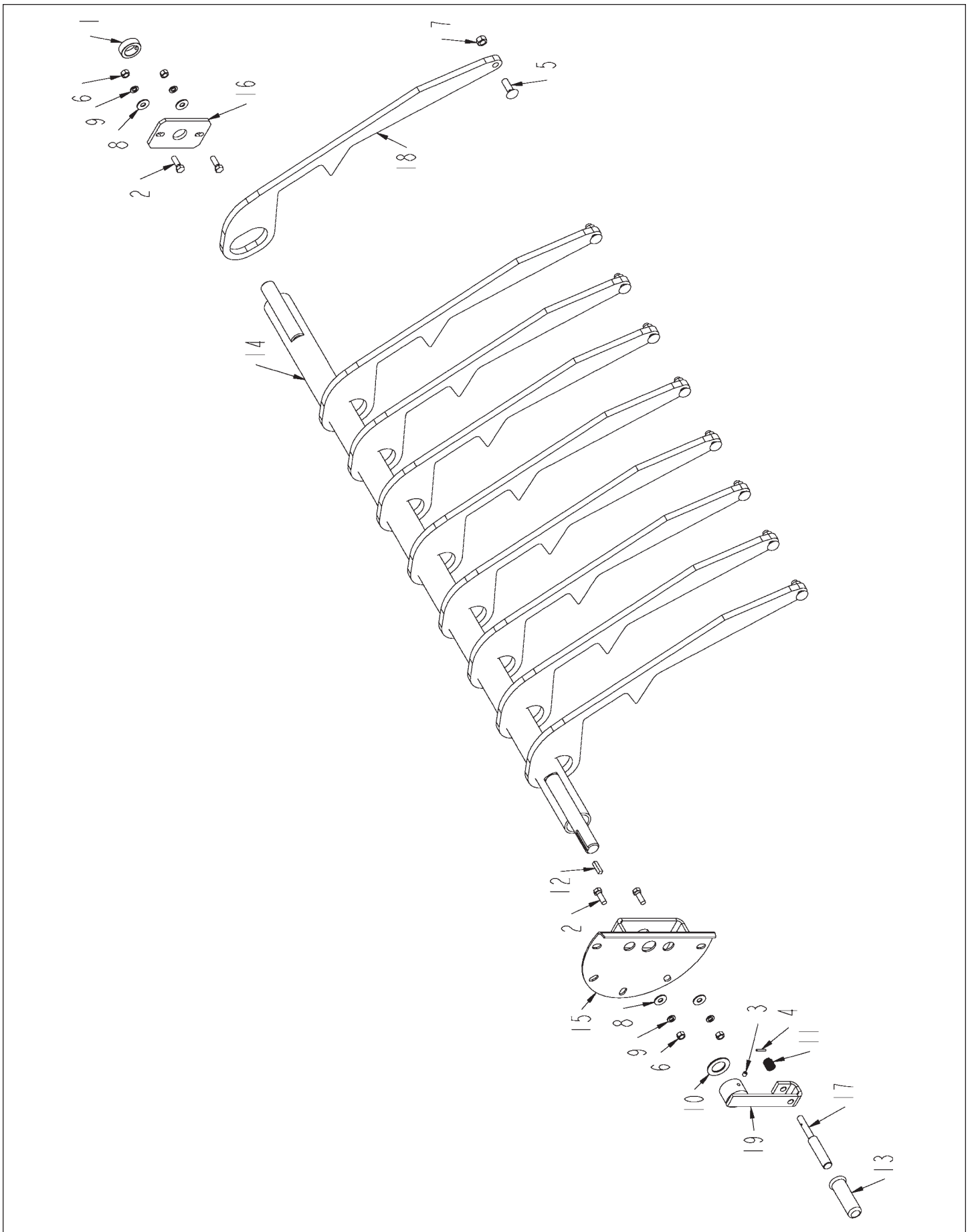
ROTOR AND AUGER ASSEMBLY (S.N. 0641 AND UP)



ROTOR AND AUGER ASSEMBLY (S.N. 0641 AND UP)

ITEM	PART NO.	QTY.	DESCRIPTION
1	1000007	1	SPKT\15\5/8\IDLER
2	1000086	1	SPKT\60\B\15\1-3/4\3/8
3	1000275	1	SPKT\A\60\45\4-1/2\BORE
4	1100062	1	CHAIN\60\CL
5	1100268	1	CHAIN\60\87
6	2000301	1	BRG\FLG\CAST\1-1/4\2BOLT
7	2000308	1	BRG\FLG\CAST\1-1/2\2BOLT
8	2000514	2	BRG\PB\1-3/4\2BOLT\MALLEABLE
9	3600666	1	CLTCH\AUTOW-MNT
10	3800083	1	FTG\LUB\1/4MPXZRK\90D
11	3800126	2	FTG\LUB\1/8MPXZRK\2-5/8
12	4800003	6	BOLT\HEX\3/8X1
13	4800018	5	BOLT\HEX\1/2X1-1/4
14	4800021	1	BOLT\HEX\5/8X3
15	4800044	1	PIN\COT\5/32X1-1/2
16	4800070	4	BOLT\HEX\1/2X2-1/2
17	4800071	6	BOLT\HEX\5/16X1-1/4
18	4800082	4	BOLT\HEX\1/2X1-1/2
19	4800098	4	BOLT\HEX\3/8X1-1/4\NC
20	4800598	40	BOLT\HEX\5/8X4\NF\GR8
21	4900001	14	NUT\HEX\1/2\NC
22	4900002	10	NUT\HEX\3/8\NC
23	4900005	1	NUT\HEX\5/8\NC
24	4900099	6	NUT\TPLCK\5/16\GR8\NC
25	4900116	1	NUT\SLOT\3/4\NF
26	4900179	40	NUT\TPLCK\5/8\GR9\NF
27	5000003	1	WASH\LOCK\5/8
28	5000004	5	WASH\FLAT\1/2
29	5000006	13	WASH\LOCK\1/2
30	5000018	2	WASH\FLAT\1\10GA\1-1/2 O.D.
31	5000019	10	WASH\LOCK\3/8
32	5000041	2	WASH\3/4ID\1-1/8OD\16GA
33	5200012	40	FLAIL\BB\8
34	6100036	1	1 O.D. X 4 5/16 SPRING
35	6200020	1	KEY\SQ\3/8X2-1/4\HARDEND
36	6200060	1	KEY\SQ\5/16X2-1/2
37	7500223	40	BUSH\FLAIL\1-1/4X.687x2-1/8L
38	7500716	1	ROD\ARM
39	7501050	2	PLATE\SICKLE
40	8100571	1	MNT\IDLER
41	8101269	1	ROTOR 640\620
42	8101280	1	BRKT\BRG\REAR\RTR
43	8101301	1	WASH\FLAT\17/32\2ODX1/4T
44	8101305	1	SPCR\IDLER\CHAIN\AUGER
45	8101652	1	BRKT\BELL\CRANK\
46	8101677	1	HSG\END\AUGER-PAN\2564
47	8101718	1	AUGER\2-PADDLE\2564

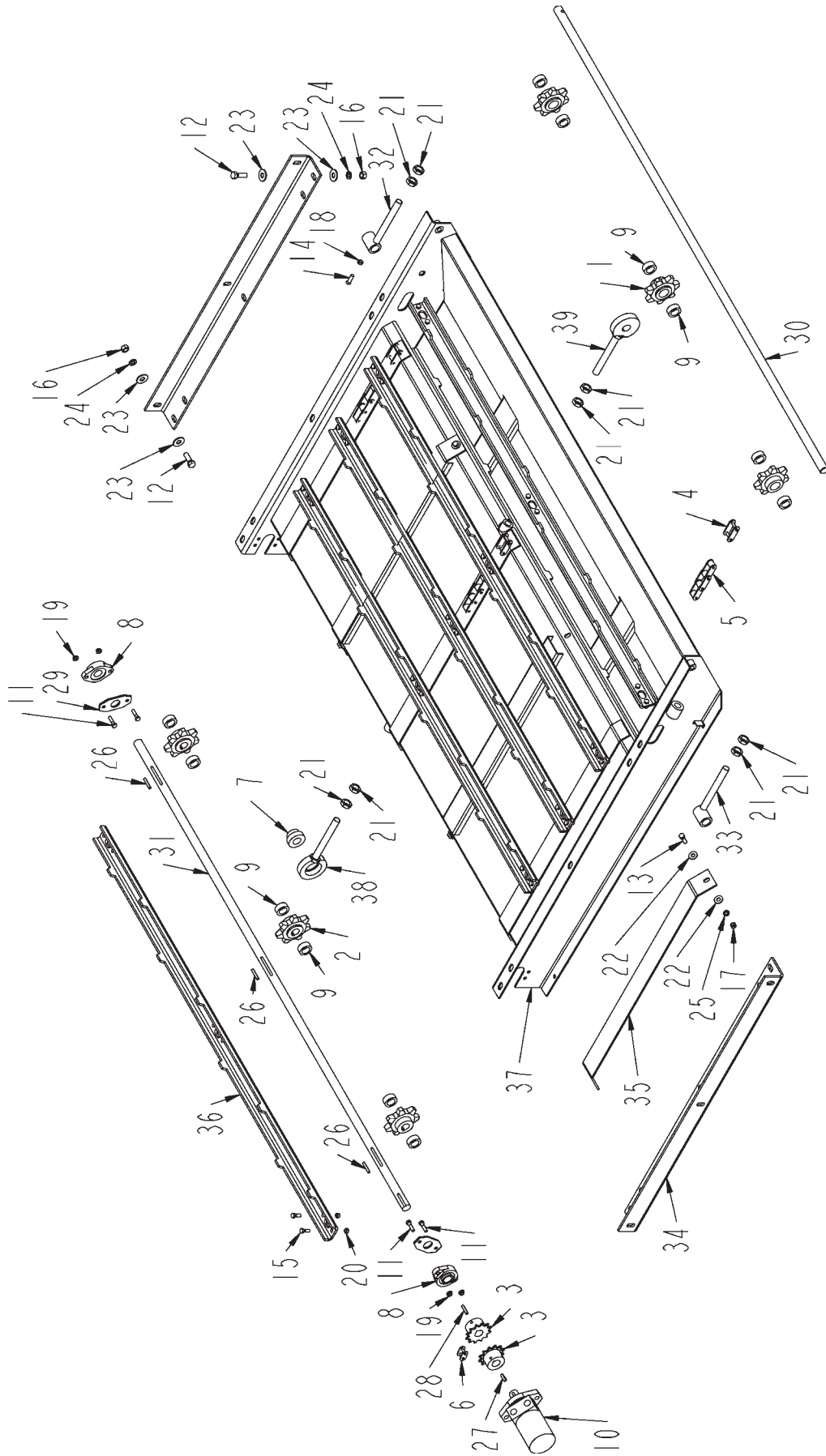
SLUG BAR ASSEMBLY



SLUG BAR ASSEMBLY

ITEM	PART NO.	QTY.	DESCRIPTION
1	2000813	1	CLLR\SHFT\1-1/2\SET
2	4800082	4	BOLT\HEX\1/2X1-1/2
3	4800143	2	SCR\SET\ALN\3/8X3/8\NC
4	4800456	1	PIN\RLLD\3/16X1-1/8
5	4800483	9	BOLT\CRG\5/8X2\NC
6	4900001	4	NUT\HEX\1/2\NC
7	4900012	9	NUT\TPLCK\5/8\NC
8	5000004	4	WASH\FLAT\1/2
9	5000006	4	WASH\LOCK\1/2
10	5000008	1	WASH\MACH\1-1/2IDX10GAINR
11	6100031	1	SPRING\COMP\.072W\25/32OD
12	6200021	1	KEY\SQ\3/8X1-1/2\HARDEND
13	7500736	1	GRIP\HAND\1X4-1/2\FLG
14	8100765	1	SHFT\ADJ\SLUGBAR
15	8101038	1	BRKT\INDEX\SLUGBAR
16	8101039	1	BRKT\BRG\SLUGBAR
17	8101050	1	ROD\HANDLE\INDEX\SLUGBAR
18	8101278	9	BAR\SLUG\ADJ
19	8101306	1	BRKT\MNT\HANDLE\SLUGBAR

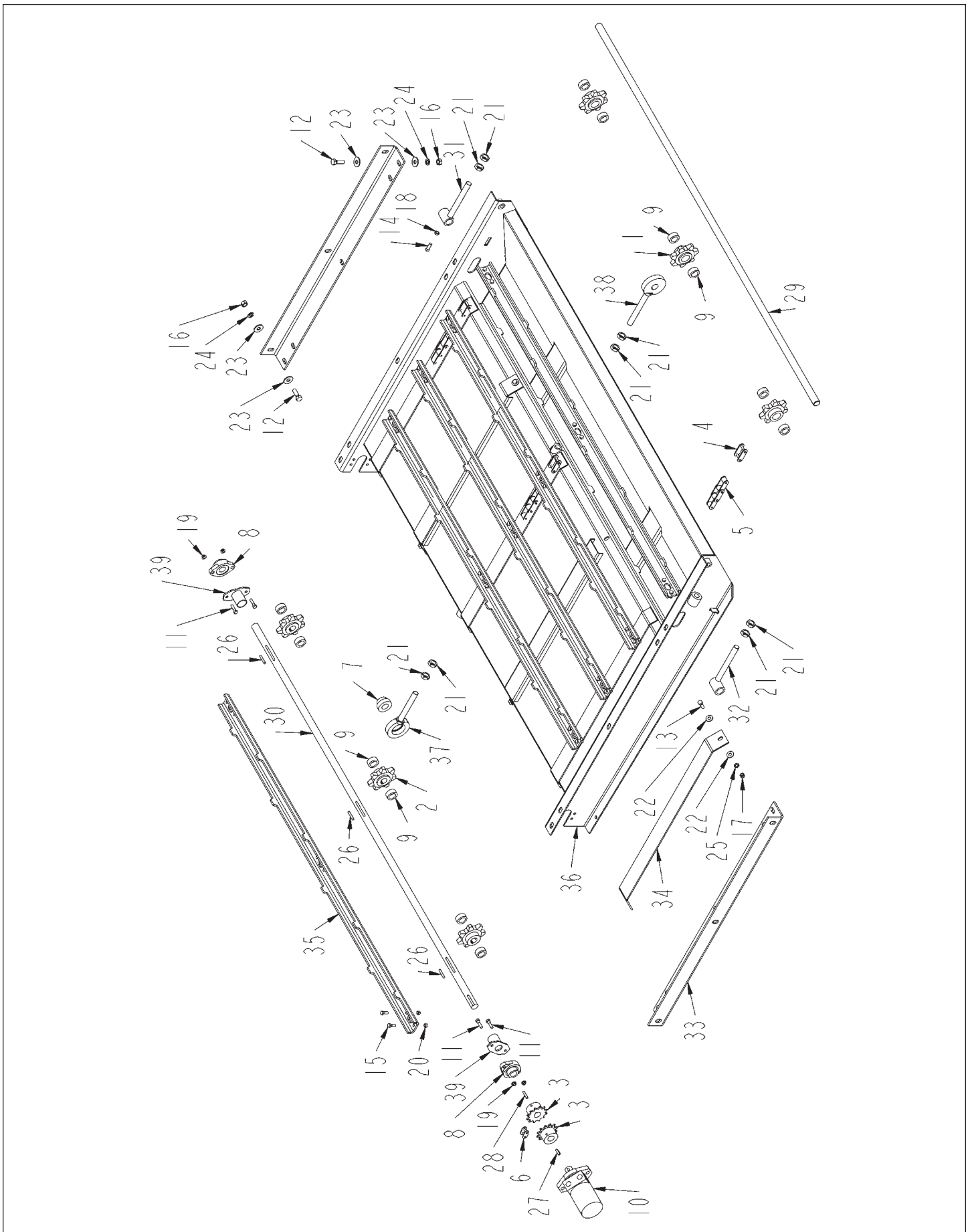
CONVEYOR ASSEMBLY (THRU S.N. 10089064)



CONVEYOR ASSEMBLY (THRU S.N. 10089064)

ITEM	PART NO.	QTY.	DESCRIPTION
1	1000088	3	SPKT\662\7\1\IDLER\CA
2	1000089	3	SPKT\662\7\1\1\1/4KW\DR
3	1000233	2	SPKT\60\B\12\1\1\1/4KW
4	1100103	3	CHAIN\620CA\CL
5	1100150	3	CHAIN\620CA\53\W\ATTCH
6	1100240	1	CHAIN\60\12\CPLNG\W-CL
7	2000047	1	BRG\W\CLLR\1\FHR\205-16
8	2000310	2	BRG\FLG\CAST\1\2BOLT
9	2000809	12	CLLOR\SHFT\1\SET
10	3900025	1	MOTOR\HYD\17.9\HAMNT\7/8FOR\1SHFT
11	4800071	4	BOLT\HEX\5/16X1-1/4
12	4800082	12	BOLT\HEX\1/2X1-1/2
13	4800098	4	BOLT\HEX\3/8X1-1/4\NC
14	4800307	1	SCR\SET\SQ\3/8X1\NC
15	4800393	54	BOLT\HEX\5/16X7/8\GR8
16	4900001	12	NUT\HEX\1/2\NC
17	4900002	4	NUT\HEX\3/8\NC
18	4900026	1	NUT\JAM\3/8\NC
19	4900027	4	NUT\FLG\TPLCK\5/16\NC
20	4900099	54	NUT\TPLCK\5/16\GR8\NC
21	4900104	8	NUT\JAM\3/4\NC
22	5000001	8	WASH\FLAT\3/8
23	5000004	24	WASH\FLAT\1/2
24	5000006	12	WASH\LOCK\1/2
25	5000019	4	WASH\LOCK\3/8
26	6200005	3	KEY\SQ\1/4X1-1/2
27	6200011	1	KEY\WDF\1/4X1
28	6200014	1	KEY\SQ\1/4X1-1/4
29	8100449	2	GUARD\TWINE\CNVYR
30	8100779	1	SHFT\IDLER\CNVYR
31	8100780	1	SHFT\DRIVE\76\CNVYR
32	8100783	1	BRKT\SHAFT\IDLER\CNVYR
33	8101022	1	BRKT\SHAFT\IDLER\NO-TAP
34	8101048	2	MNT\CNVYR\3\BRK
35	8101052	2	PL\RUB\CHAIN\CNVYR
36	8101053	9	PLT\SLAT\2640
37	8101460	1	FRM\CNVYR\FLATBOTTOM
38	8101696	1	MNT\BRG\CNVYR
39	8101699	1	MNT\SHFT\CNVYR

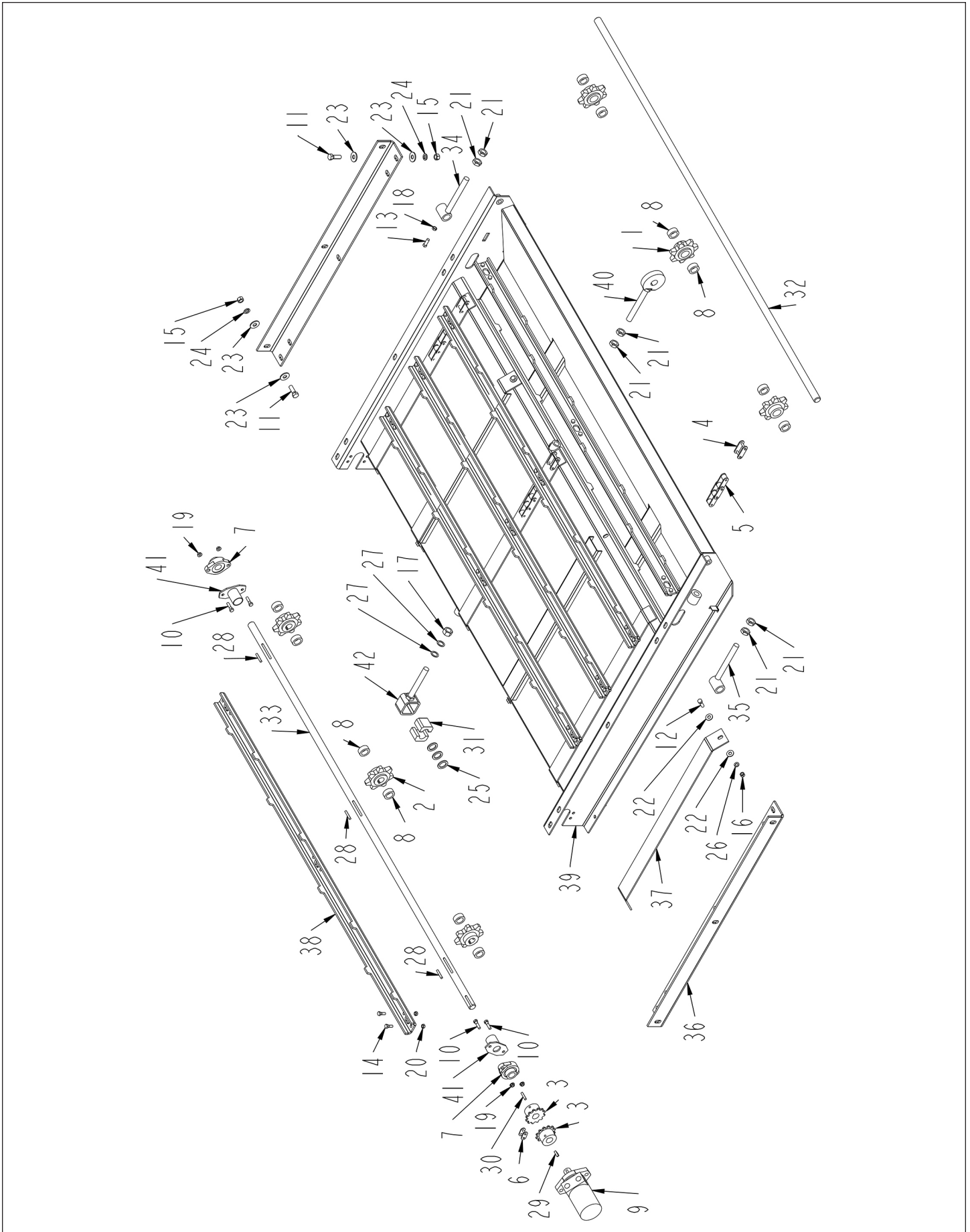
CONVEYOR ASSEMBLY (S.N. 10089164 THRU 12101564)



CONVEYOR ASSEMBLY (S.N. 10089164 THRU 12101564)

ITEM	PART NO.	QTY.	DESCRIPTION
1	1000088	3	SPKT\662\7\1\IDLER\CA
2	1000089	3	SPKT\662\7\1\1\1/4KW\DR
3	1000233	2	SPKT\60\B\12\1\1\1/4KW
4	1100103	3	CHAIN\620CA\CL
5	1100150	3	CHAIN\620CA\53\W\ATTCH
6	1100240	1	CHAIN\60\12\CPLNG\W-CL
7	2000047	1	BRG\W\CLLR\1\FHR\205-16
8	2000310	2	BRG\FLG\CAST\1\2BOLT
9	2000809	12	CLLOR\SHFT\1\SET
10	3900025	1	MOTOR\HYD\17.9\H
11	4800071	4	BOLT\HEX\5/16X1-1/4
12	4800082	12	BOLT\HEX\1/2X1-1/2
13	4800098	4	BOLT\HEX\3/8X1-1/4\NC
14	4800307	1	SCR\SET\SQ\3/8X1\NC
15	4800393	54	BOLT\HEX\5/16X7/8\GR8
16	4900001	12	NUT\HEX\1/2\NC
17	4900002	4	NUT\HEX\3/8\NC
18	4900026	1	NUT\JAM\3/8\NC
19	4900027	4	NUT\FLG\TPLCK\5/16\NC
20	4900099	54	NUT\TPLCK\5/16\GR8\NC
21	4900104	10	NUT\JAM\3/4\NC
22	5000001	8	WASH\FLAT\3/8
23	5000004	24	WASH\FLAT\1/2
24	5000006	12	WASH\LOCK\1/2
25	5000019	4	WASH\LOCK\3/8
26	6200005	3	KEY\SQ\1/4X1-1/2
27	6200011	1	KEY\WDF\1/4X1
28	6200014	1	KEY\SQ\1/4X1-1/4
29	8100779	1	SHFT\IDLER\CNVYR
30	8100780	1	SHFT\DRIVE\76\CNVYR
31	8100783	1	BRKT\SHAFT\IDLER\CNVYR
32	8101022	1	BRKT\SHAFT\IDLER\NO-TAP
33	8101048	2	MNT\CNVYR\3\BRK
34	8101052	2	PL\RU\CHAIN\CNVYR
35	8101053	9	PLT\SLAT\2640
36	8101460	1	FRM\CNVYR\FLATBOTTOM
37	8101696	1	MNT\BRG\CNVYR
38	8101699	1	MNT\SHFT\CNVYR
39	8101749	2	GUARD\TWINE\CNVYR

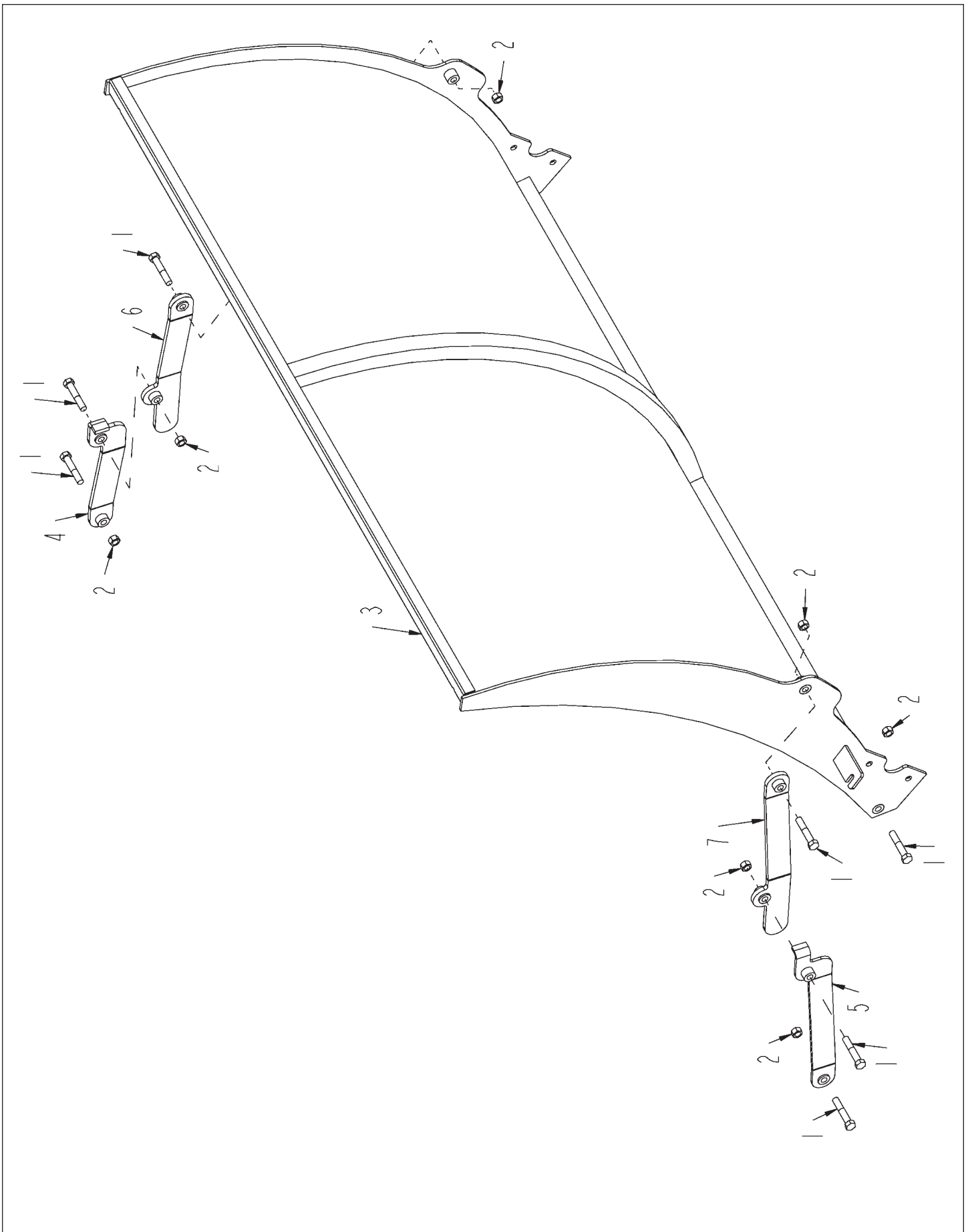
CONVEYOR ASSEMBLY (S.N. 13101664 & UP)



CONVEYOR ASSEMBLY (S.N. 13101664 & UP)

ITEM	PART NO.	QTY.	DESCRIPTION
1	1000088	3	SPKT\662\7\1\IDLER\CA
2	1000089	3	SPKT\662\7\1\1\1/4KW\DR
3	1000233	2	SPKT\60\B\12\1\1\1/4KW
4	1100103	3	CHAIN\620CA\CL
5	1100150	3	CHAIN\620CA\53\W\ATTCH
6	1100240	1	CHAIN\60\12\CPLNG\W-CL
7	2000310	2	BRG\FLG\CAST\1\12BOLT
8	2000809	12	CLLOR\SHFT\1\(\SET)
9	3900025	1	MOTOR\HYD\17.9\H
10	4800071	4	BOLT\HEX\5/16X1-1/4
11	4800082	12	BOLT\HEX\1/2X1-1/2
12	4800098	4	BOLT\HEX\3/8X1-1/4\NC
13	4800307	1	SCR\SET\SQ\3/8X1\NC
14	4800393	54	BOLT\HEX\5/16X7/8\GR8
15	4900001	12	NUT\HEX\1/2\NC
16	4900002	4	NUT\HEX\3/8\NC
17	4900004	1	NUT\HEX\3/4\NC
18	4900026	1	NUT\JAM\3/8\NC
19	4900027	4	NUT\FLG\TPLCK\5/16\NC
20	4900099	54	NUT\TPLCK\5/16\GR8\NC
21	4900104	8	NUT\JAM\3/4\NC
22	5000001	8	WASH\FLAT\3/8
23	5000004	24	WASH\FLAT\1/2
24	5000006	12	WASH\LOCK\1/2
25	5000018	3	WASH\FLAT\1\10GA\1-1/2 O.D.
26	5000019	4	WASH\LOCK\3/8
27	5000041	2	WASH\3/4ID\1-1/8OD\16GA
28	6200005	3	KEY\SQ\1/4X1-1/2
29	6200011	1	KEY\WDF\1/4X1
30	6200014	1	KEY\SQ\1/4X1-1/4
31	7501506	2	BRG\NYLTRN\1\HALF\1"ID\2SQ-OD
32	8100779	1	SHFT\IDLER\CNVYR
33	8100780	1	SHFT\DRIVE\76\CNVYR
34	8100783	1	BRKT\SHAFT\IDLER\CNVYR
35	8101022	1	BRKT\SHAFT\IDLER\NO-TAP
36	8101048	2	MNT\CNVYR\3\BRK
37	8101052	2	PL\RU\CHAIN\CNVYR
38	8101053	9	PLT\SLAT\2640
39	8101460	1	FRM\CNVYR\FLATBOTTOM
40	8101699	1	MNT\SHFT\CNVYR
41	8101749	2	GUARD\TWINE\CNVYR
42	8101852	1	MNT\BRG\SPLIT\CNVYR

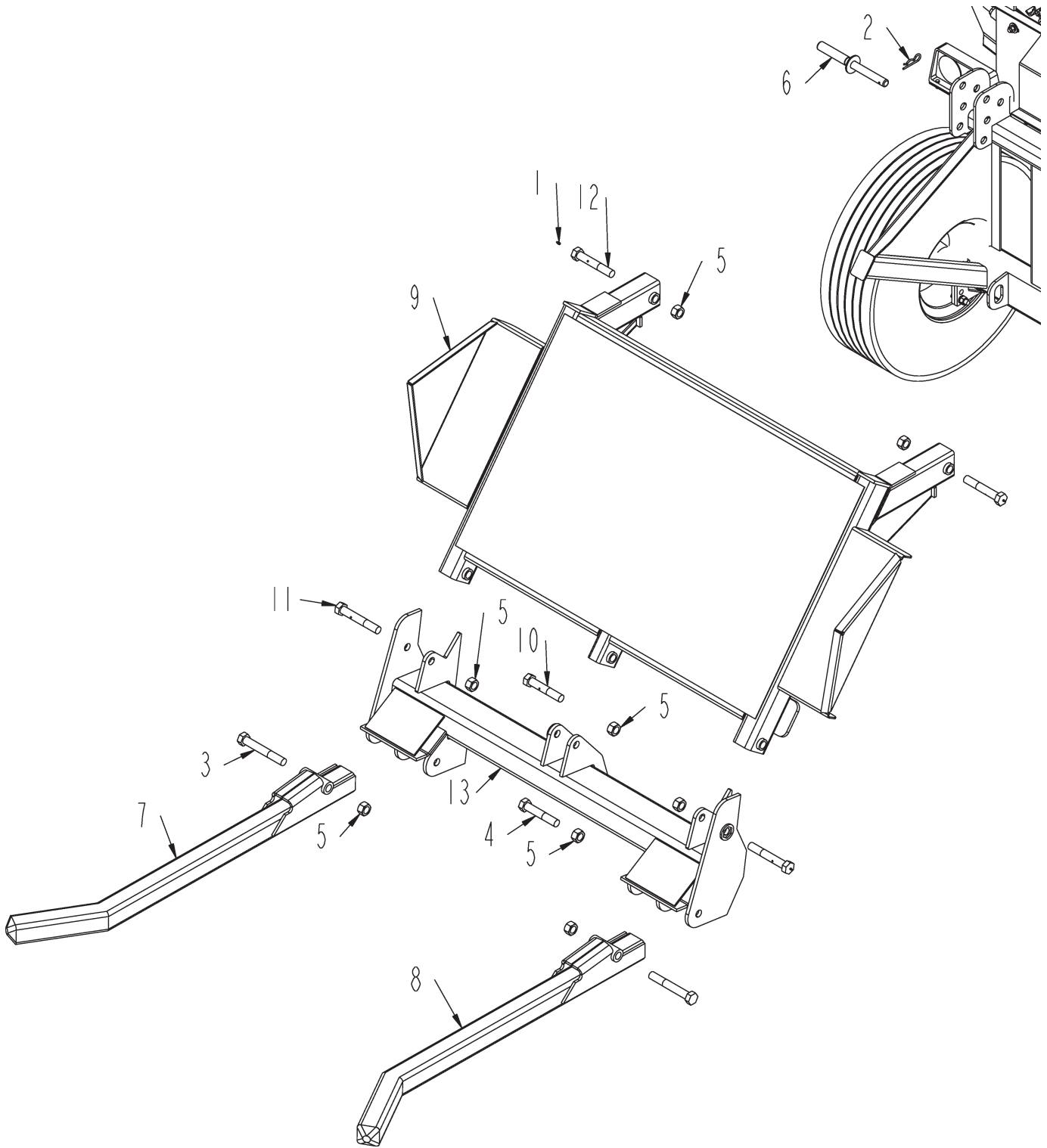
RACK ASSEMBLY



RACK ASSEMBLY

ITEM	PART NO.	QTY.	DESCRIPTION
1	4800351	8	BOLT\HEX\1/2X2-3/4
2	4900014	8	NUT\TPLCK\1/2\NC
3	8101750	1	RACK
4	8101090	1	BRKT\STRAP\RACKW-STOPI\FRONT
5	8101091	1	BRKT\STRAP\RACKW-STOPI\REAR
6	8101092	1	BRKT\STRAP\RACK\FRONT
7	8101093	1	BRKT\STRAP\RACK\REAR

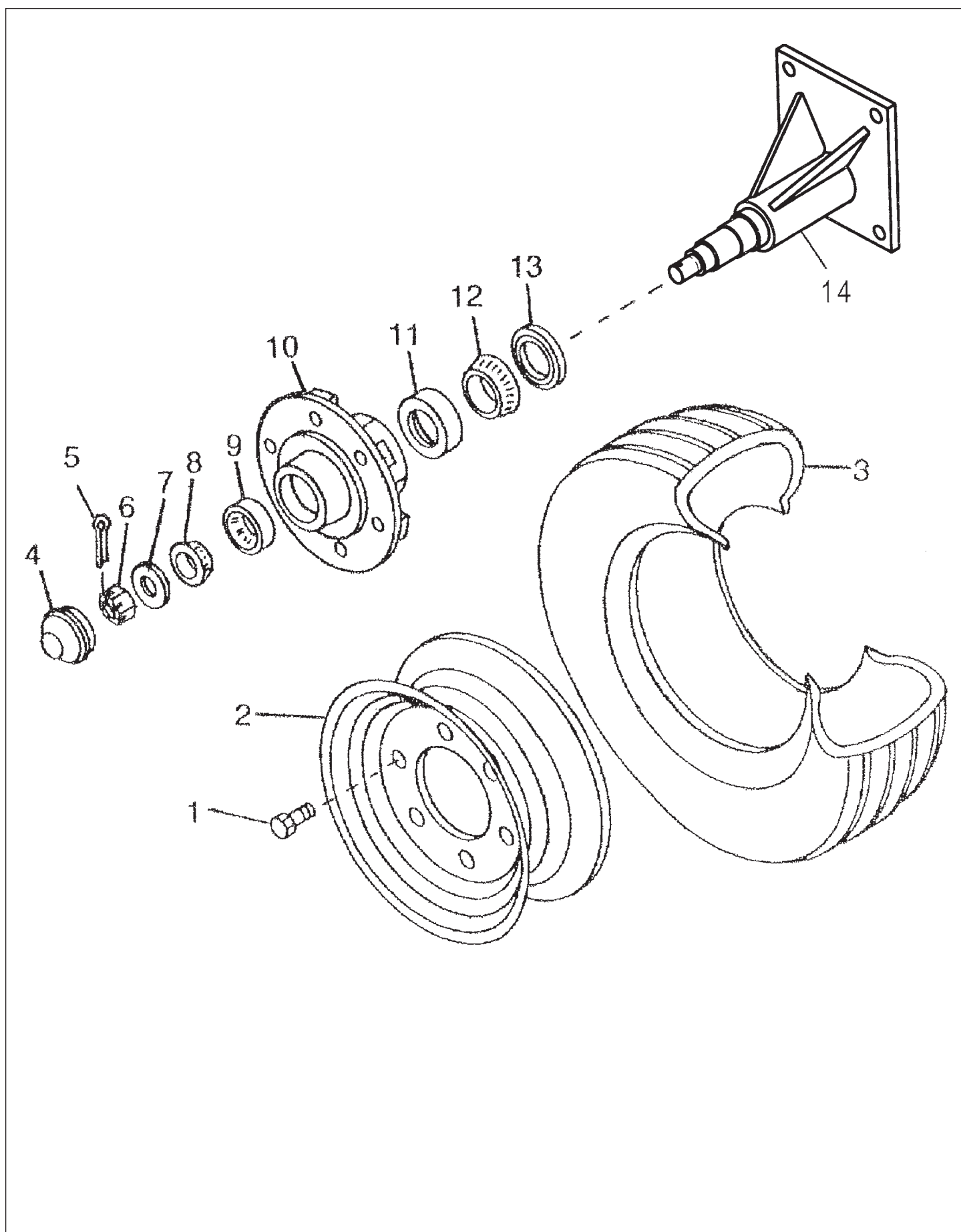
LOADER ASSEMBLY



LOADER ASSEMBLY

ITEM	PART NO.	QTY.	DESCRIPTION
1	3800082	5	FTG\LUB\1/4NFXZERK\ADAPT
2	4800056	2	PIN\HAIR\3/16(#3)
3	4800471	2	BOLT\HEX\1X7\NC
4	4800633	1	BOLT\HEX\1X5-1/2\NC\GR5\PLT
5	4900127	8	NUT\TPLCK\1\NC
6	8100794	2	PIN\LOCK\TRANSPORT
7	8101033	1	TINE\SQ\LEFTHAND
8	8101075	1	TINE\SQ\RIGHTHAND
9	8101115	1	LOADER\UPPER\
10	8101311	1	BOLT\HEX\1X5-1/2\GREASE
11	8101312	2	BOLT\HEX\1X6-1/2\GREASE
12	8101352	2	BOLT\HEX\1X6\GREASE
13	8101513	1	LOWER\LOADER

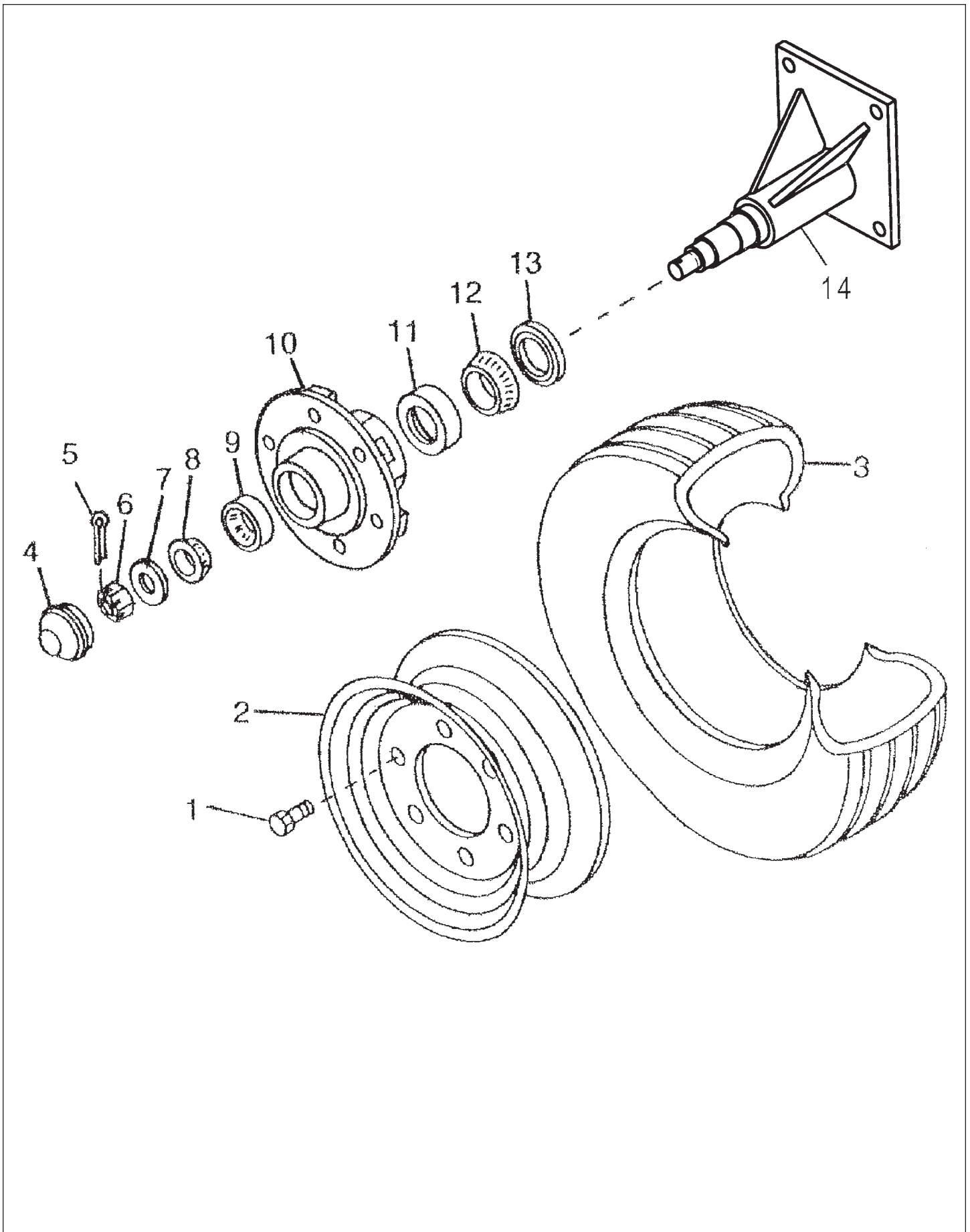
WHEEL AND BEARING ASSEMBLY (THRU S.N. 1J084-064)



WHEEL AND BEARING ASSEMBLY (THRU S.N. IJ084-064)

ITEM	PART NO.	QTY.	DESCRIPTION
1	2900161	6	BOLT\WHL\1/2-20 UNF\13/16HEX>
2	2600624	2	Wheel, 15" x 10 6-Bolt
3	2600041	2	Tire\31X10.5X15 Highway Tire
3	2600046	2	Tire\12.5LX15\8Ply\Implement Rib
4	2900013	1	Cap
5	4800157	1	Pin\Cotter\3/16X2
6	4900054	1	Nut, Castle, 7/8, nf
7	5000055	1	Washer, Spindle, 7/8 Flat
8	2900018	1	Cone, Outer
9	2900004	1	Cup, Outer
10	na	1	Order 2900069
11	2900006	1	Cup, Inner
12	2900007	1	Cone, Inner
13	2900008	1	Grease Seal
	2900069		Hub Complete includes 1,4,5,6,7,8,9,10,11,12,13
	2600823		Whl\Hwy\Kit\31X10.5X15 Tire & Rim includes 2 and 3
	2600841		Wheel\Imp\12.5L15\Tire&Rim includes 2 and 3
14	8101703		SPNDL\BOLT-ON\MNFRM

WHEEL AND BEARING ASSEMBLY (S.N. 10084164 THRU 15131564)

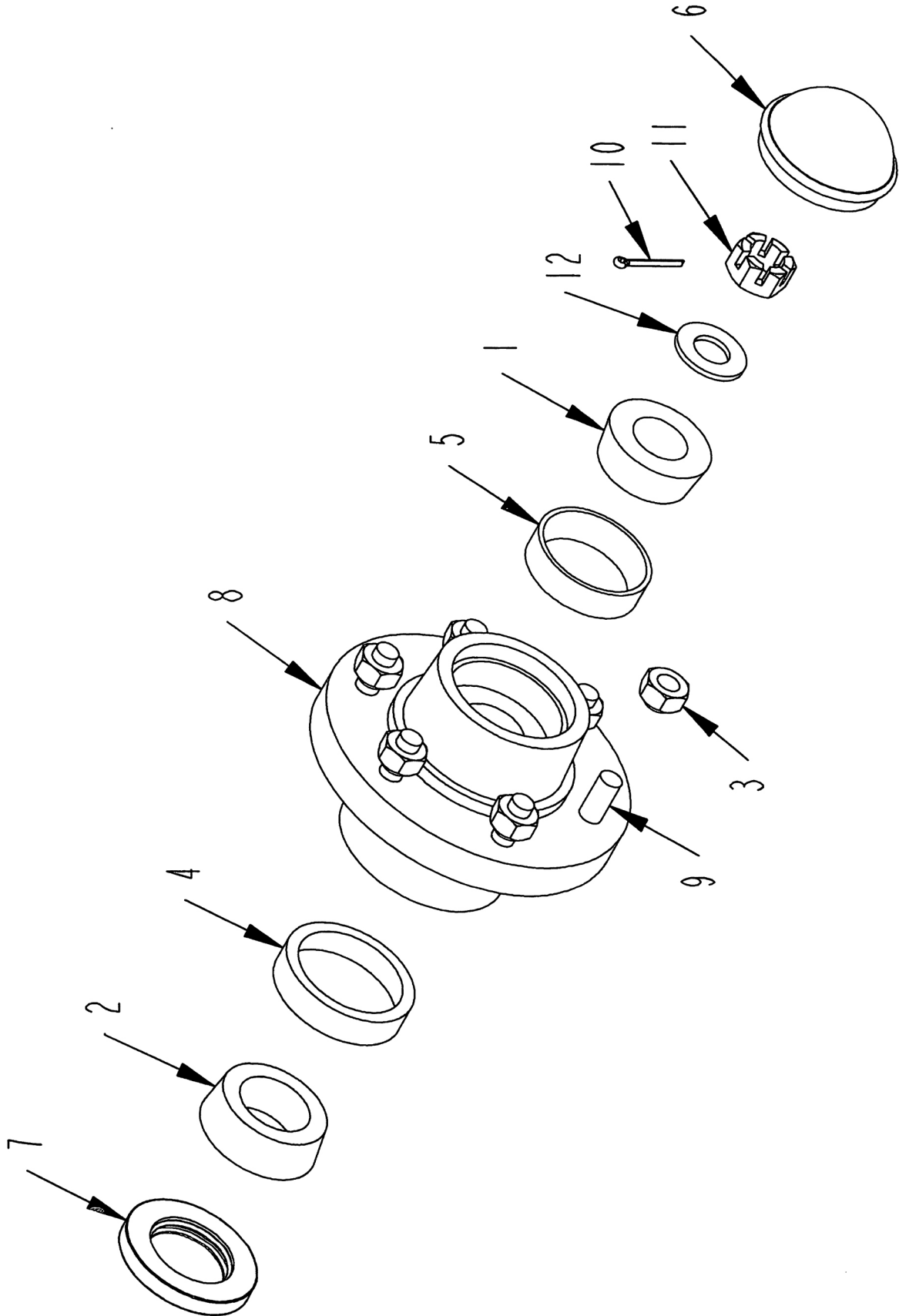


WHEEL AND BEARING ASSEMBLY (S.N. 10084164 THRU 15131564)

ITEM	PART NO.	QTY.	DESCRIPTION
1	2900608	6	WHL\BOLT\9/16"X2-1/4"
2	2600624	2	Wheel, 15" x 10 6-Bolt
3	2600041	2	Tire\31X10.5X15 Highway Tire
3	2600046	2	Tire\12.5LX15\8Ply\Implement Rib
4	2900168	1	CAP\DUST\875
5	4800044	1	PIN\COT\5/32X1-1/2
6	4900054	1	NUT\CASTLE\7/8\NF
7	5000055	1	WASH\SPNDL\7/8 FLAT
8	2900166	1	BRG\CONE\OUTER\875
9	2900165	1	BRG\CUP\OUTER\875
10	2900163	1	HUB\6-BOLT\875\COMPLETE includes 1,4,8,9,10,11,12,13
11	2900164	1	BRG\CUP\INNER\875
12	2900167	1	BRG\CONE\INNER\875
13	2900169	1	SEAL\GREASE\875
	2600823		WHL\HWY\31X10.5X15\TIRE&RIM includes 2 and 3
	2600841		WHL\IMP\12.5L15\TIRE&RIM includes 2 and 3
14	8101828		SPNDL\BOLT-ON\MNFRM
	8101778		SPNDL\HUB\HVY\ASSY\4910-LBS\CAPACITY

COMPLETE HUB AND SPINDLE ASSEMBLY WILL RETROFIT OLDER SERIAL NUMBERS

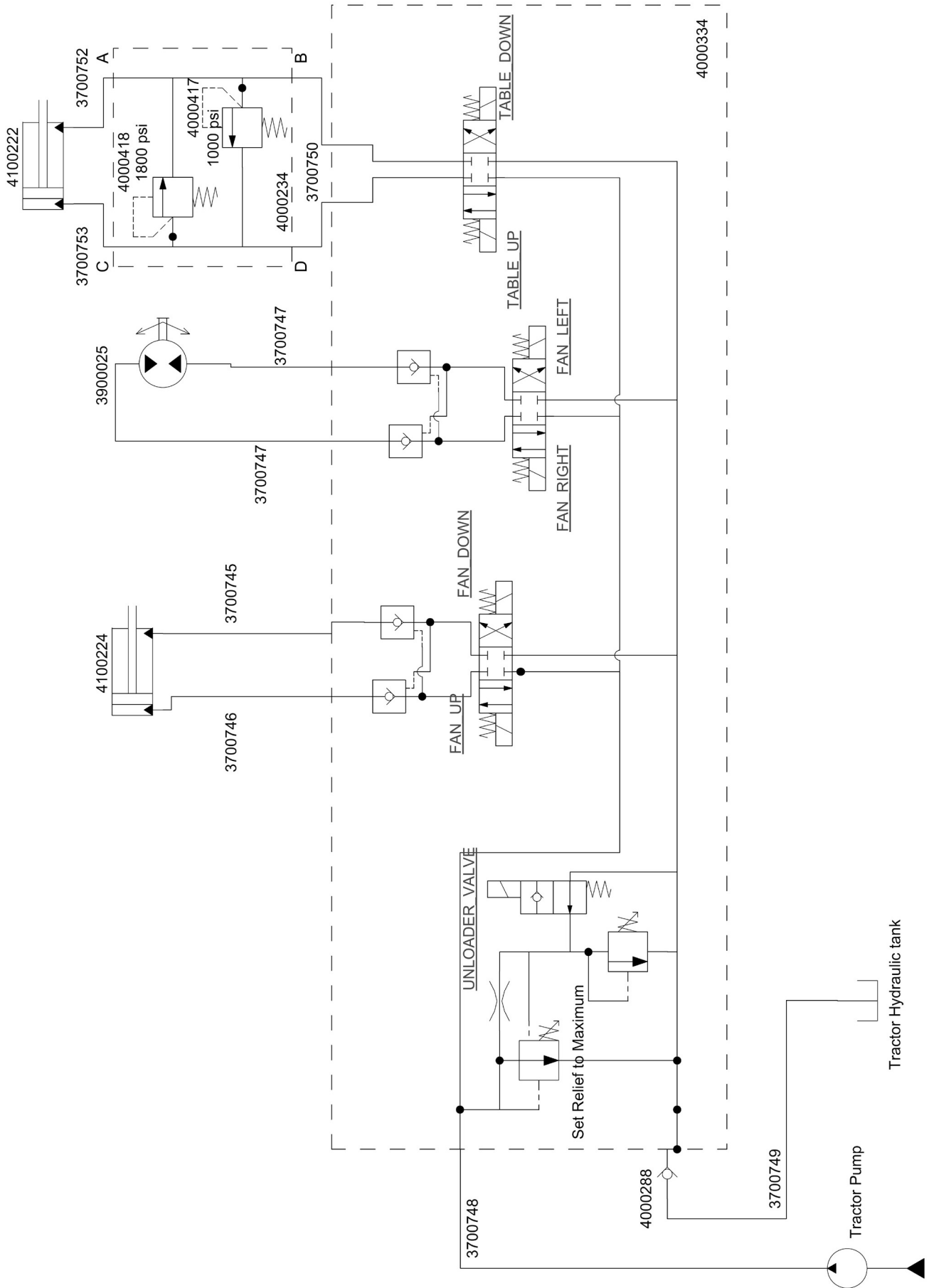
WHEEL AND BEARING ASSEMBLY (S.N. 16131664 AND UP)



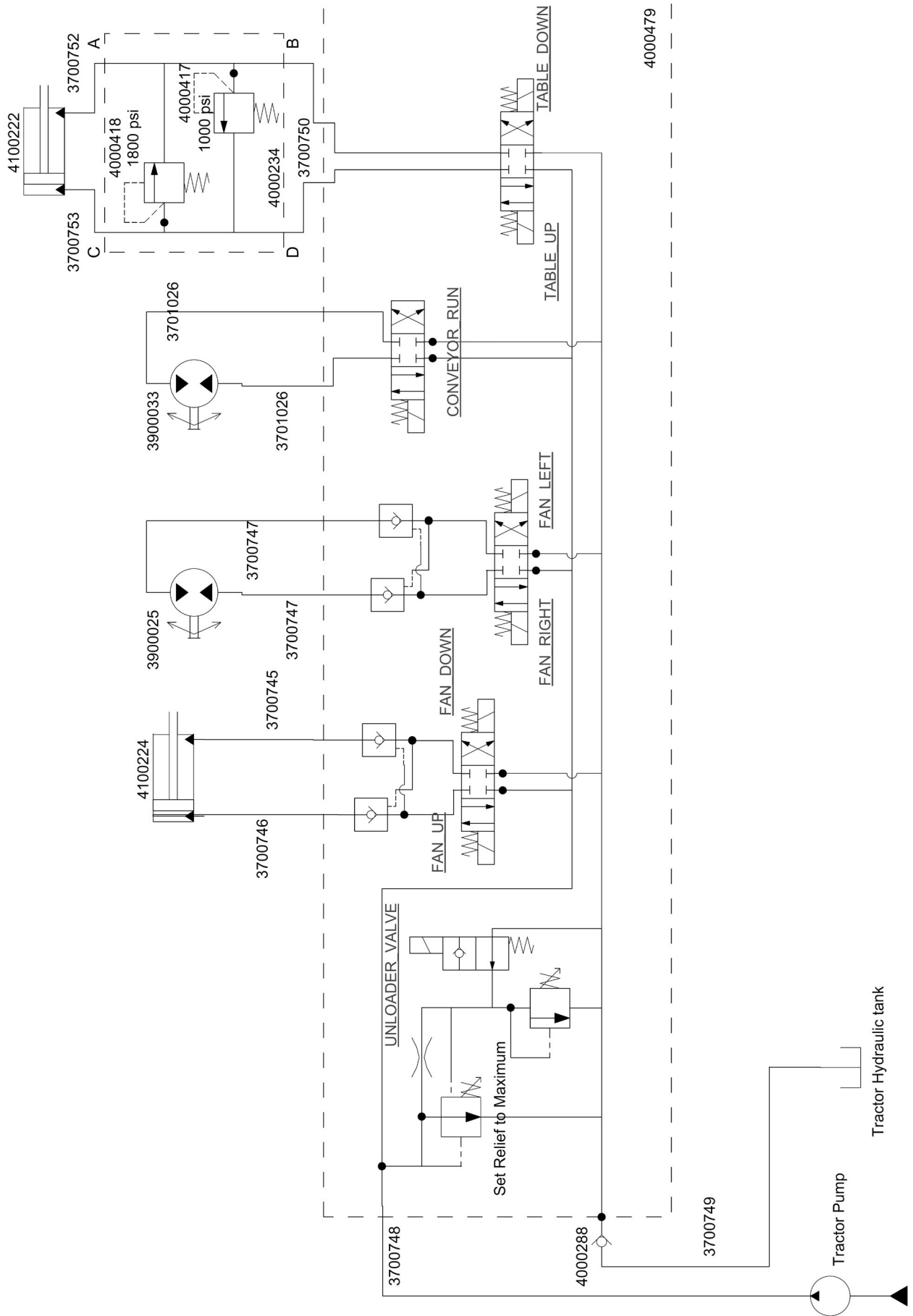
WHEEL AND BEARING ASSEMBLY (S.N. 16131664 AND UP)

ITEM	PART NO.	QTY.	DESCRIPTION
1	2900024	1	CONE\BRG\OUTER\25877
2	2900029	1	CONE INNER/WHEL HUB\25590
3	2900083	6	NUT\TAPER\WHEEL\1/2\NF\
4	2900164	1	BRG\CUP\INNER\875\25520
5	2900165	1	BRG\CUP\OUTER\875\25821
6	2900168	1	CAP\DUST\875
7	2900169	1	SEAL\GREASE\875\P602110
8	2900171	1	HUB\6-BOLT\STUDS\COMPLETE (INCLUDES ITEMS 1, 2, 3, 4, 5, 6, 7, 9)
9	2900172	6	STUD\WHL\9/16-18X2-1/8\GR5\P151403
10	4800044	1	PIN\COT\5/32X1-1/2
11	4900054	1	NUT\CASTLE\1/2\NF
12	5000055	1	WASH\SPINDLE\7/8

2564 HYDRAULIC SCHEMATIC - 3 SPOOL VALVE

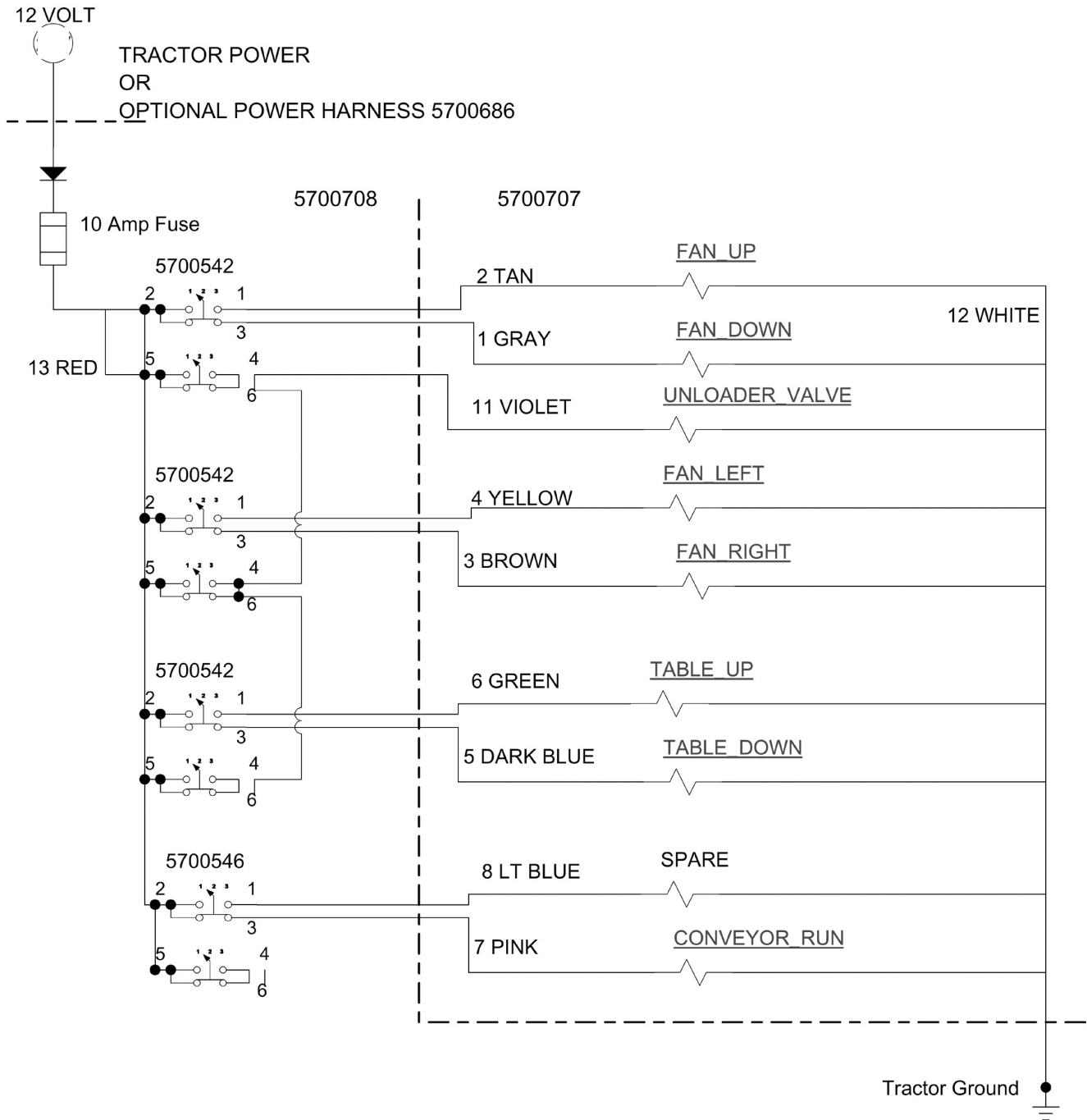


2564 HYDRAULIC SCHEMATIC - 4 SPOOL VALVE



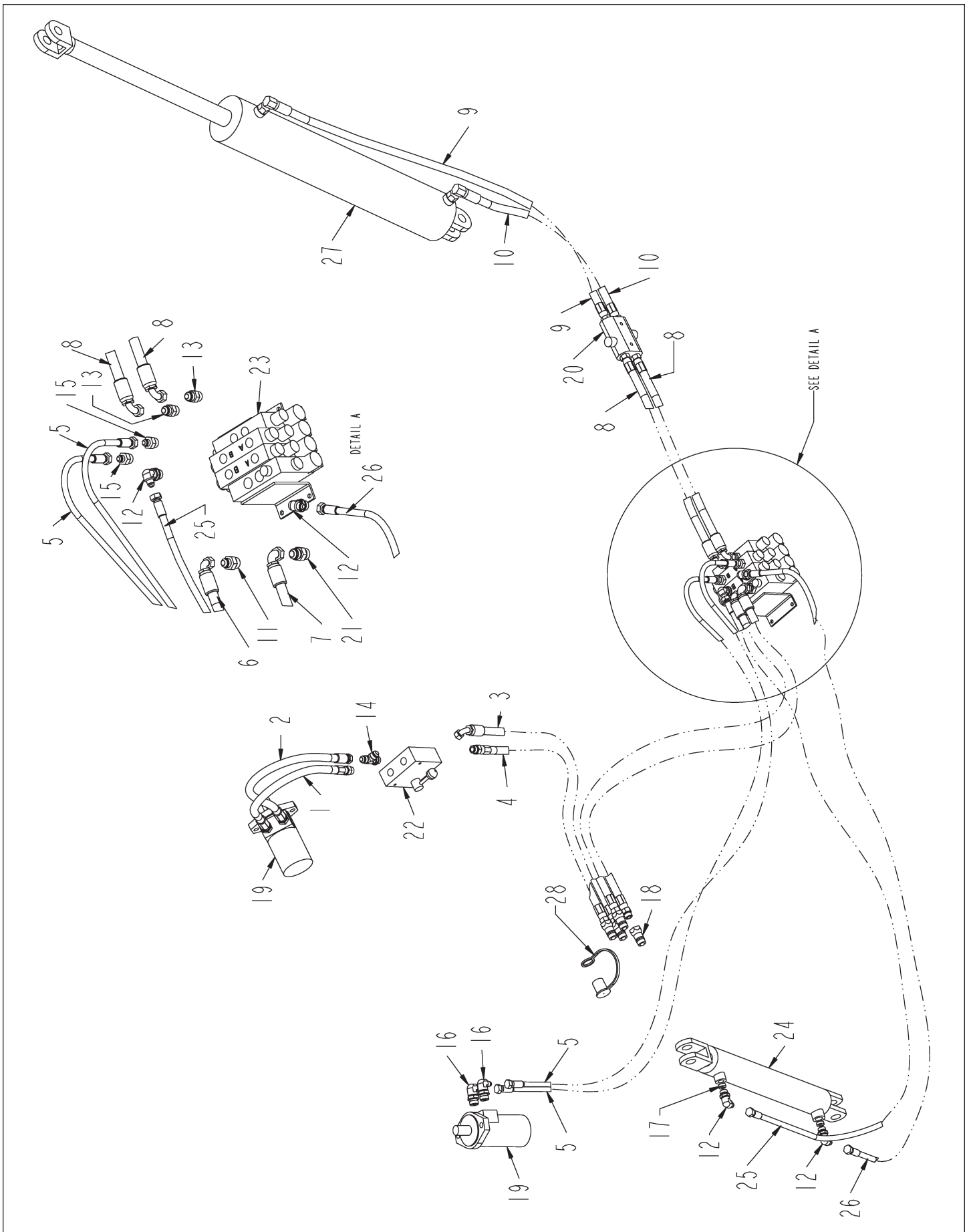
4000479

2564 ELECTRICAL SCHEMATIC





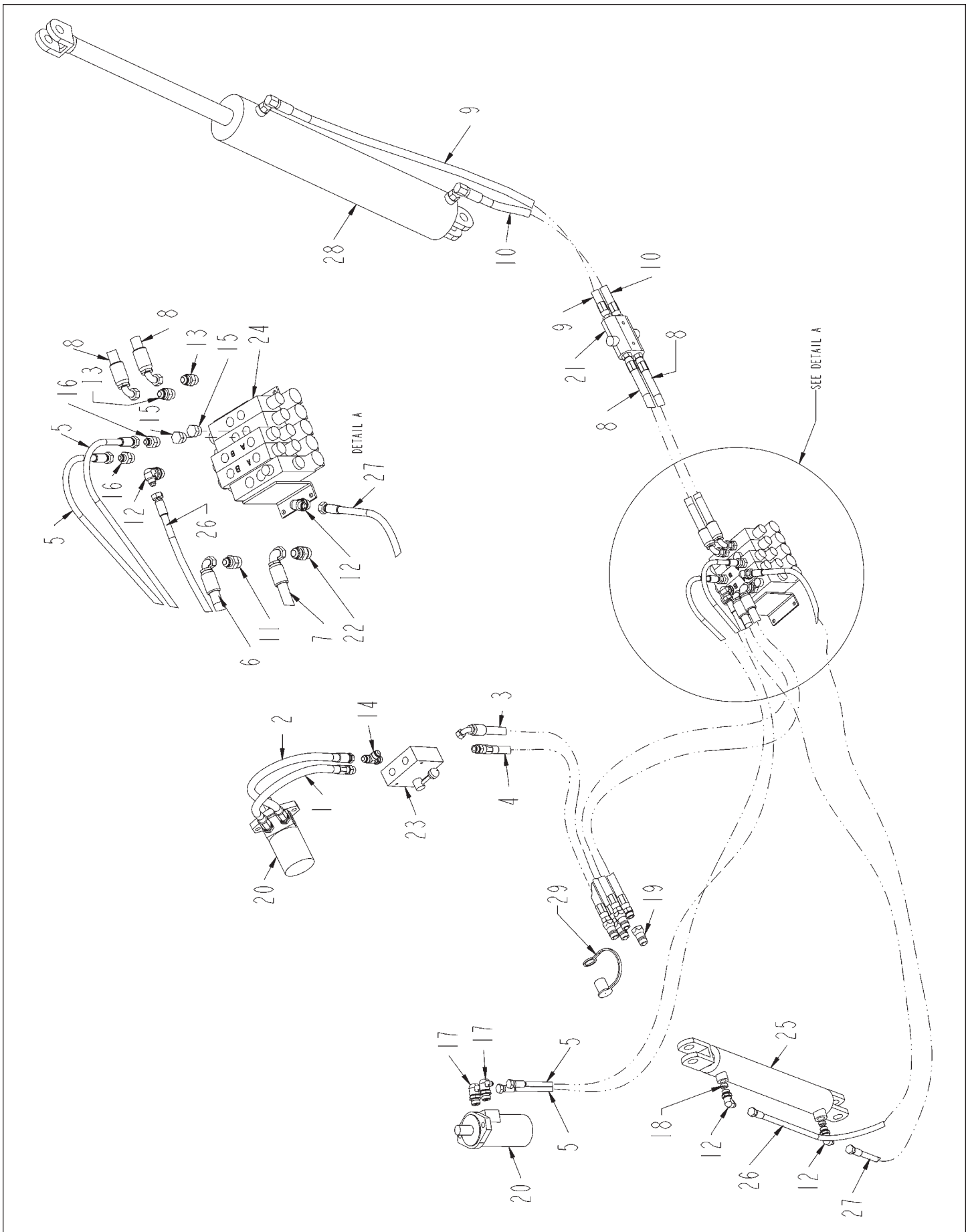
HYDRAULICS ASSEMBLY (THRU S.N. 10089064)



HYDRAULICS ASSEMBLY (THRU S.N. 10089064)

ITEM	PART NO.	QTY.	DESCRIPTION
1	3700741	1	HOSE\HYD\1/2X24\7/8MORSX3/4MORS
2	3700742	1	HOSE\HYD\1/2X24\7/8MORSX3/4FJIC
3	3700743	1	HOSE\HYD\1/2X155\3/4MORSX3/4FJIC_90DEG
4	3700744	1	HOSE\HYD\1/2X150\3/4MORSX3/4MORS
5	3700747	2	HOSE\HYD\1/4X126\9/16FJICX9/16FJIC
6	3700748	1	HOSE\HYD\1/2X162\3/4MORSX3/4FJIC90
7	3700749	1	HOSE\HYD\1/2X162\3/4MORSX7/8FJIC90
8	3700750	2	HOSE\HYD\1/2X36\3/4MORSX3/4FJIC90
9	3700752	1	HOSE\HYD\1/2X70\3/4MORSX3/4MORS_90DEG
10	3700753	1	HOSE\HYD\1/2X44\3/4MORSX3/4MORS_90DEG
11	3800328	1	FTG\7/8MORX3/4MJIC\ADPT
12	3800453	4	FTG\3/4MORX9/16MJIC\90
13	3800477	2	FTG\3/4MORX3/4MJIC\ST
14	3800483	1	FTG\3/4MORX3/4MJICX3/4MJIC\RUN;TEE
15	3800530	2	FTG\3/4MORX9/16MJIC\ST
16	3800538	2	FTG\7/8MORX9/16MJIC\90
17	3800683	2	FTG\3/4MOR\ORFICE\0.0490"
18	3800694	4	FTG\3/4FOR\QUICK;CPLR\MALE
19	3900025	2	MOTOR\HYD\17.9\HAMNT\7/8FOR\1SHFT
20	4000234	1	VALVE\RELIEF\CROSS\RC13BB\1000&1800PSI
21	4000288	1	FTG\7/8MORX7/8MJIC\ST\CHCK
22	4000331	1	VALVE\FLW-CNTRL\#8FOR
23	4000344	1	VLV\HYD\BRAND\3-BANK
24	4100224	1	CYL\HYD\2-1/2X16\1-1/2ROD\3/4OR
	4100235		SEAL KIT for 4100235
25	3700745	1	HOSE\HYD\1/4X75\9/16FJICX9/16FJIC
26	3700746	1	HOSE\HYD\1/4X90\9/16FJICX9/16FJIC
27	4100273	1	CYL\HYD\4-1/2X24\1-3/4ROD\1"PINWELD\3/4;0-RING
	4100223		SEAL KIT for 4100273
	4100272		REPLACEMENT ROD AND YOKE for 4100273
28	7501361	2	CAP\YLLW\DUST\HOSE\HYD
28A	7501362	2	CAP\RED\DUST\HOSE\HYD

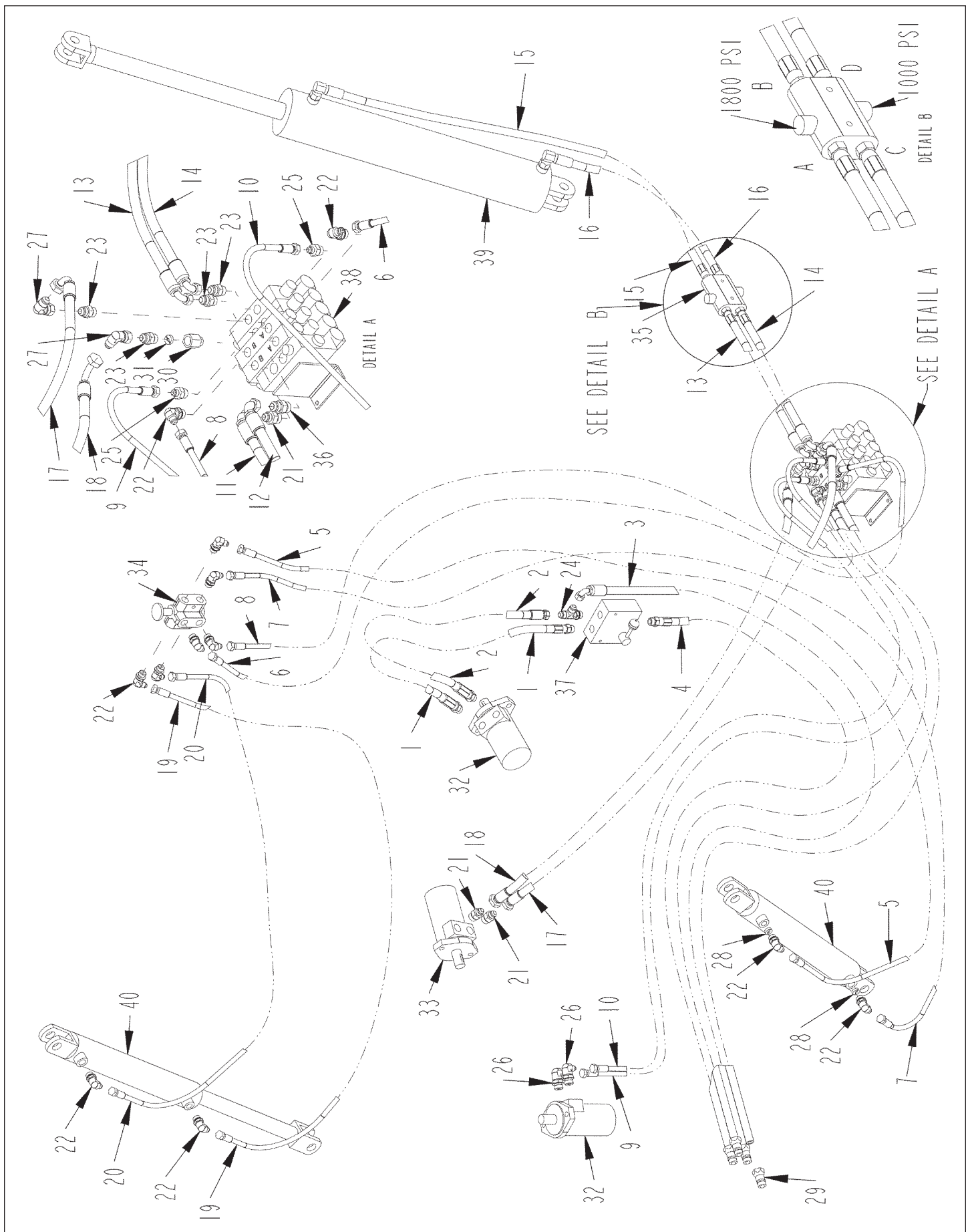
HYDRAULICS ASSEMBLY (S.N. 10084164 AND UP)



HYDRAULICS ASSEMBLY (S.N. 10084164 AND UP)

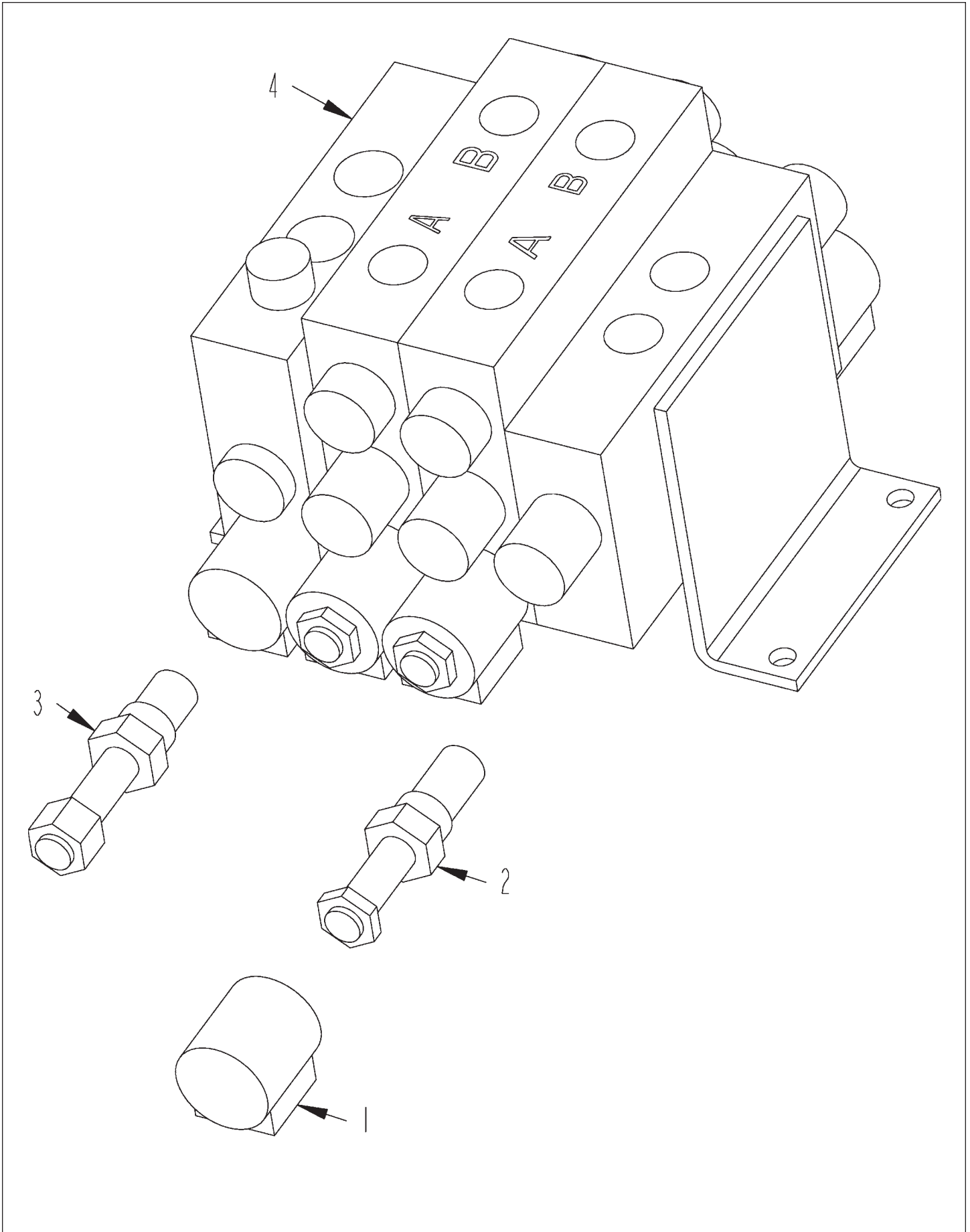
ITEM	PART NO.	QTY.	DESCRIPTION
1	3700741	1	HOSE\HYD\1/2X24\7/8MORSX3/4MORS
2	3700742	1	HOSE\HYD\1/2X24\7/8MORSX3/4FJIC
3	3700743	1	HOSE\HYD\1/2X155\3/4MORSX3/4FJIC_90DEG
4	3700744	1	HOSE\HYD\1/2X150\3/4MORSX3/4MORS
5	3700747	2	HOSE\HYD\1/4X126\9/16FJICX9/16FJIC
6	3700748	1	HOSE\HYD\1/2X162\3/4MORSX3/4FJIC
7	3700749	1	HOSE\HYD\1/2X162\3/4MORSX7/8FJICS
8	3700750	2	HOSE\HYD\1/2X36\3/4MORSX3/4FJIC90
9	3700752	1	HOSE\HYD\1/2X70\3/4MORSX3/4MORS_90DEG
10	3700753	1	HOSE\HYD\1/2X44\3/4MORSX3/4MORS_90DEG
11	3800328	1	FTG\7/8MORX3/4MJIC\ADPT
12	3800453	4	FTG\3/4MORX9/16MJIC\90
13	3800477	2	FTG\3/4MORX3/4MJIC\ST
14	3800483	1	FTG\3/4MORX3/4MJICX3/4MJIC\RUN;TEE
15	3800490	2	FTG\3/4MOR\PLUG\HEX
16	3800530	2	FTG\3/4MORX9/16MJIC\ST
17	3800538	2	FTG\7/8MORX9/16MJIC\90
18	3800683	2	FTG\3/4MOR\ORFICE\0.0490"
19	3800694	4	FTG\3/4FOR\QUICK;CPLR\MALE
20	3900025	2	MOTOR\HYD\17.9\H
21	4000234	1	VALVE\RELIEF\CROSS\RC13BB\1000&1800PSI
22	4000288	1	FTG\7/8MORX7/8MJIC\ST\CHCK
23	4000331	1	VALVE\FLW-CNTRL\#8FOR
24	4000479	1	VLV\HYD\BRAND\4-BANK
25	4100224	1	CYL\HYD\2-1/2X16\1-1/2ROD\3/4OR
	4100235		SEAL KIT for 4100224
26	3700745	1	HOSE\HYD\1/4X90\9/16FJICX9/16FJIC
27	3700746	1	HOSE\HYD\1/4X75\9/16FJICX9/16FJIC
28	4100273	1	CYL\HYD\4-1/2X24\1-3/4 -CANADIAN TOOL & DIE
	4100223		SEAL KIT for 4100273
	4100272		REPLACEMENT ROD AND YOKE for 4100273
28A	4100324	1	CYL\HYD\4-1/2X24\1-3/4 -RAM INDUSTRIES
	4100214		SEAL KIT for 4100324
29	7501361	2	CAP\YLLW\DUST\HOSE\HYD
29A	7501362	2	CAP\RED\DUST\HOSE\HYD

HYDRAULICS ASSEMBLY WITH BUNK CONVEYOR OPTION



HYDRAULICS ASSEMBLY WITH BUNK CONVEYOR OPTION

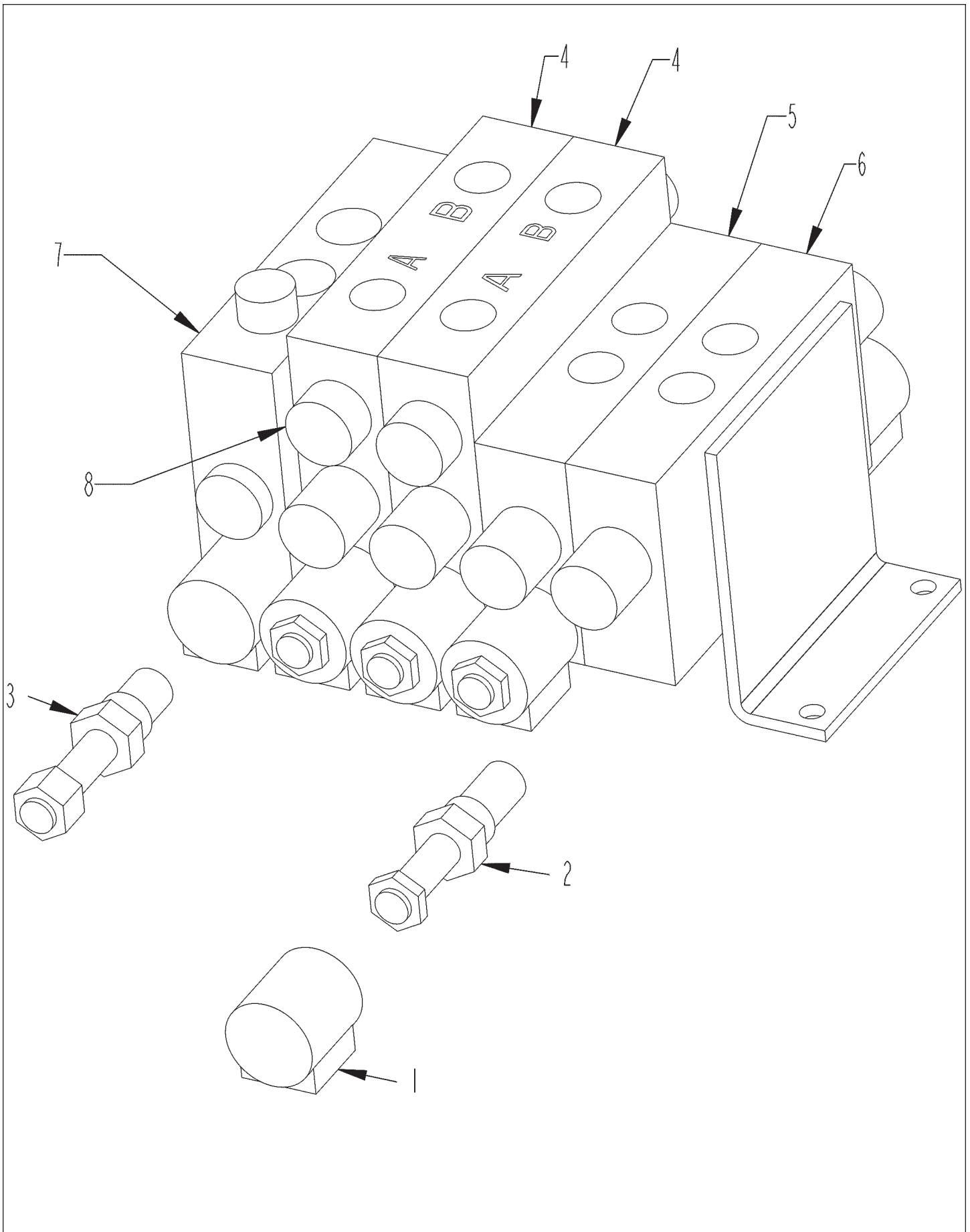
ITEM	PART NO.	QTY.	DESCRIPTION
1	3700741	1	HOSE\HYD\1\2X24\7\8MORSX3\4MORS
2	3700742	1	HOSE\HYD\1\2X24\7\8MORSX3\4FJIC
3	3700743	1	HOSE\HYD\1\2X155\3\4MORSX3\4FJIC_90DEG
4	3700744	1	HOSE\HYD\1\2X150\3\4MORSX3\4MORS
5	3700745	1	HOSE\HYD\1\4X90\9\16FJICX9\16FJIC
6	3700745	1	HOSE\HYD\1\4X90\9\16FJICX9\16FJIC
7	3700745	1	HOSE\HYD\1\4X90\9\16FJICX9\16FJIC
8	3700746	1	HOSE\HYD\1\4X75\9\16FJICX9\16FJIC
9	3700747	1	HOSE\HYD\1\4X126\9\16FJICX9\16FJIC
10	3700747	1	HOSE\HYD\1\4X126\9\16FJICX9\16FJIC
11	3700748	1	HOSE\HYD\1\2X162\3\4MORSX3\4FJIC
12	3700749	1	HOSE\HYD\1\2X162\3\4MORSX7\8FJICS
13	3700750	1	HOSE\HYD\1\2X36\3\4MORSX3\4FJIC90
14	3700750	1	HOSE\HYD\1\2X36\3\4MORSX3\4FJIC90
15	3700752	1	HOSE\HYD\1\2X70\3\4MORSX3\4MORS_90DEG
16	3700753	1	HOSE\HYD\1\2X44\3\4MORSX3\4MORS_90DEG
17	3701026	1	HOSE\HYD\1\2X82\3\4FJICX3\4FJIC90
18	3701026	1	HOSE\HYD\1\2X82\3\4FJICX3\4FJIC90
19	3701027	1	HOSE\HYD\1\4X82\9\16FJICX9\16FJIC
20	3701028	1	HOSE\HYD\1\4X95\9\16FJICX9\16FJIC
21	3800328	3	FTG\7\8MORX3\4MJIC\ADPT
22	3800453	12	FTG\3\4MORX9\16MJIC\90
23	3800477	4	FTG\3\4MORX3\4MJIC\ST
24	3800483	1	FTG\3\4MORX3\4MJICX3\4MJIC\RUN;TEE
25	3800530	2	FTG\3\4MORX9\16MJIC\ST
26	3800538	2	FTG\7\8MORX9\16MJIC\90
27	3800546	2	FTG\3\4MJICX3\4FJIC\90\SW
28	3800683	2	FTG\3\4MOR\ORFICE\0.0490"
29	3800694	4	FTG\3\4FOR\QUICK;CPLR\MALE
30	3800944	1	FTG\3\4MORX3\4FOR
31	3800945	1	FTG\3\4MOR\ORIFICE\0.093
32	3900025	2	MOTOR\HYD\17.9\H
33	3900033	1	MTR\HYD\101-1038\14.1CI\7\8FOR
34	4000144	1	VAVLE\HYD\SEL\OR
35	4000234	1	VALVE\RELIEF\CROSS\RC13BB\1000&1800PSI
	4000417		VALVE\HYD\RELF\1000PSI\7\8FOR
	4000418		VALVE\HYD\RFLF\1800PSI\7\8FOR
36	4000288	1	FTG\7\8MORX7\8MJIC\ST\CHCK
37	4000331	1	VALVE\FLW-CNTRL\#8FOR
38	4000479	1	VLV\HYD\BRAND\4-BANK
39	4100273	1	CYL\HYD\4-1\2X24\1-3\4 -CANADIAN TOOL & DIE
	4100223		SEAL KIT for 4100273
	4100272		REPLACEMENT ROD AND YOKE for 4100273
39A	4100324	1	CYL\HYD\4-1\2X24\1-3\4 -RAM INDUSTRIES
	4100214		SEAL KIT for 4100324
40	4100224	2	CYL\HYD\2-1\2X16\1-1\2-CANADIAN TOOL & DIE
	4100235		SEAL KIT for 4100224
40A	4100325	2	CYL\HYD\2-1\2X16\1-1\2-RAM INDUSTRIES
	4100327		SEAL KIT for 4100325
NOT SHOWN			
	7501361	2	CAP\YLLW\DUST\HOSE\HYD
	7501362	2	CAP\RED\DUST\HOSE\HYD



HYDRAULIC VALVE - 4000344

ITEM	PART NO.	QTY.	DESCRIPTION
1	4000174	7	SOL\HYD\12VDC\HYDRAFORCE
2	4000176	6	VALVE\HYD\CART\WORK
3	4000179	1	VALVE\HYD\CART\UNLDR
4	4000344	1	VLV\HYD\BRAND\3-BANK
NOT SHOWN			
	4000473		KIT\LOCK\LOAD

HYDRAULIC VALVE - 4000479

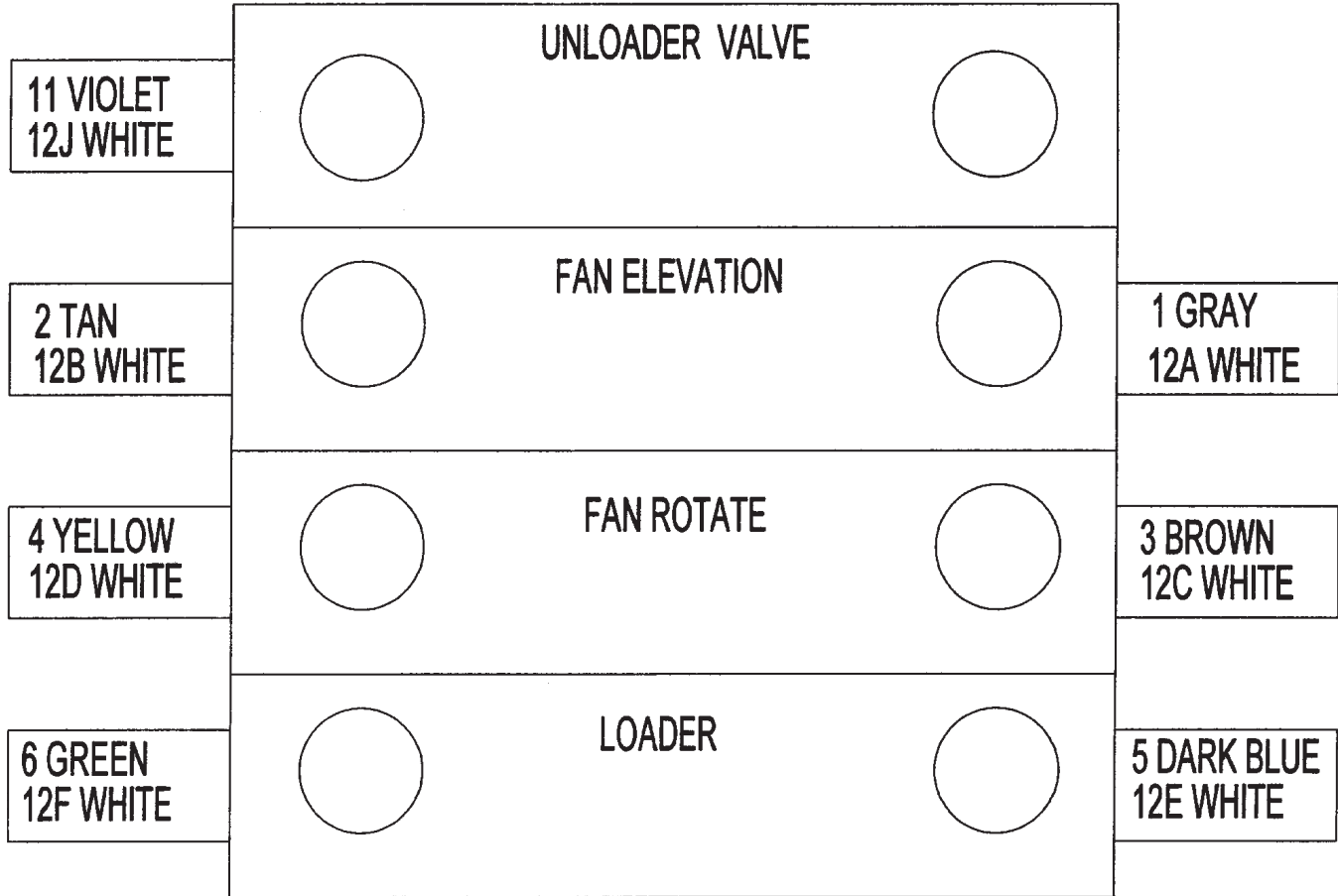


HYDRAULIC VALVE - 4000479

ITEM	PART NO.	QTY.	DESCRIPTION
1	4000174	8	SOL\HYD\12VDC\HYDRAFORCE
2	4000176	7	VALVE\HYD\CART\WORK
3	4000179	1	VALVE\HYD\CART\UNLDR
4	4000197	2	VALVE\HYD\HIGHSEC\36SER
5	4000322	1	VALVE\HYD\LOWSEC\36SER
6	4000533	1	VALVA\HYD\LOWSEC\36SER
7	4000528	1	VALVE\HYD\UNLOADER\36\BRAND
8	4000473	2	KIT\LOCK\LOAD
	4000479		VLV\HYD\BRAND\4-BANK
	NOT SHOWN		
	7501292	4	SEAL\KIT\VLV\BRAND\SECTION\WORK

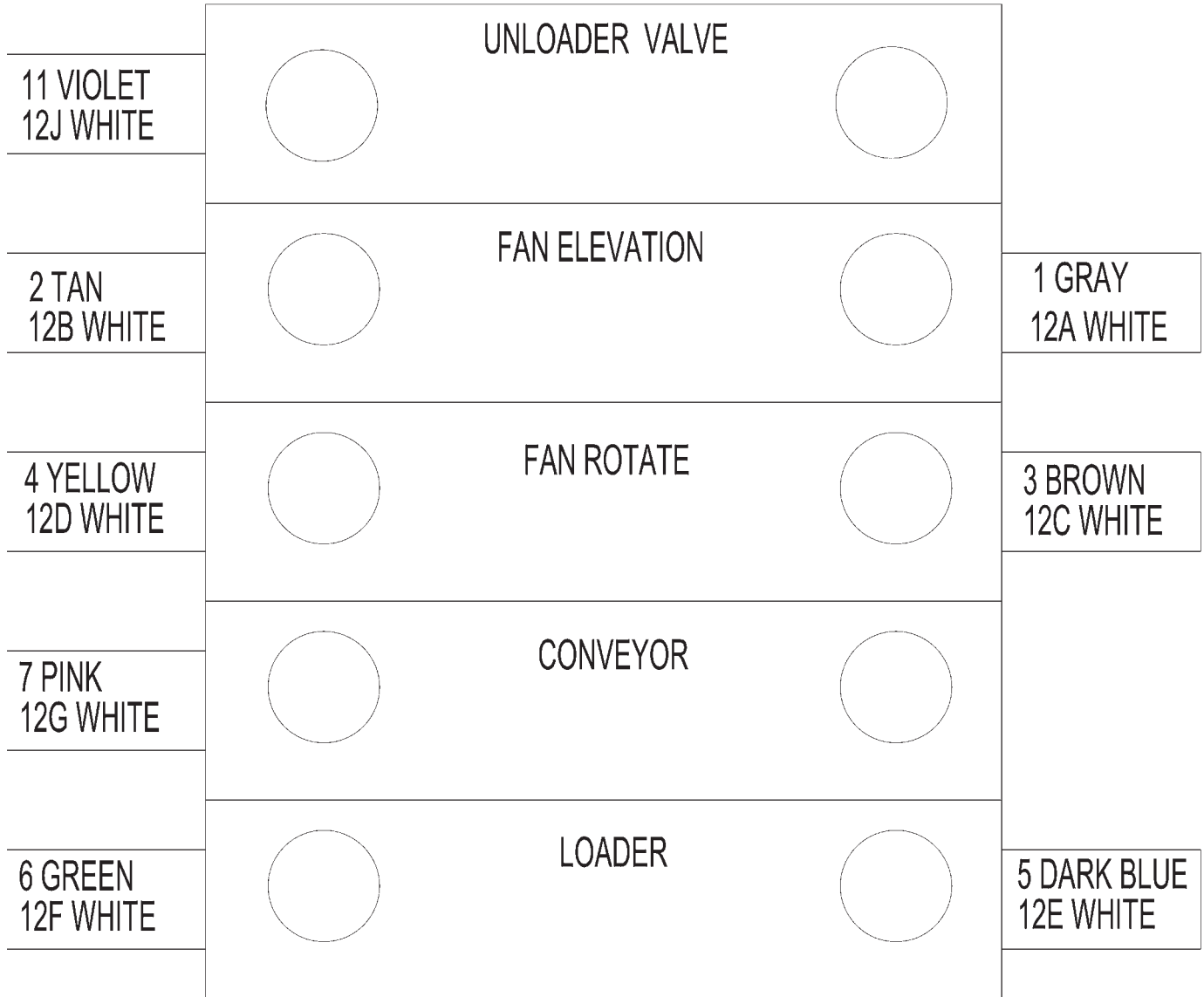
HYDRAULIC VALVE - 4000344 WIRE LAYOUT

FRONT



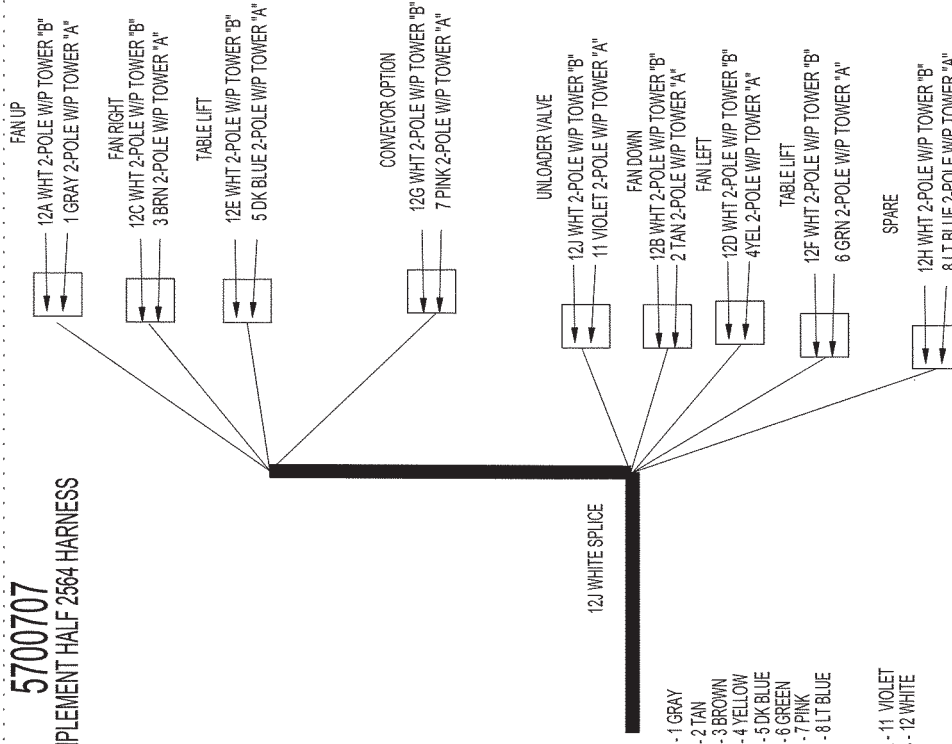
HYDRAULIC VALVE - 4000479 WIRE LAYOUT

FRONT



5700707

IMPLEMENT HALF 2564 HARNESS



PLUGGED SHROUD INCLUDES:

- (1) SHROUD - 5700376
- (2) PLUGS - 5700450

Note

Solenoid BLACK Wire "B"
Solenoid RED Wire "A"

5700811

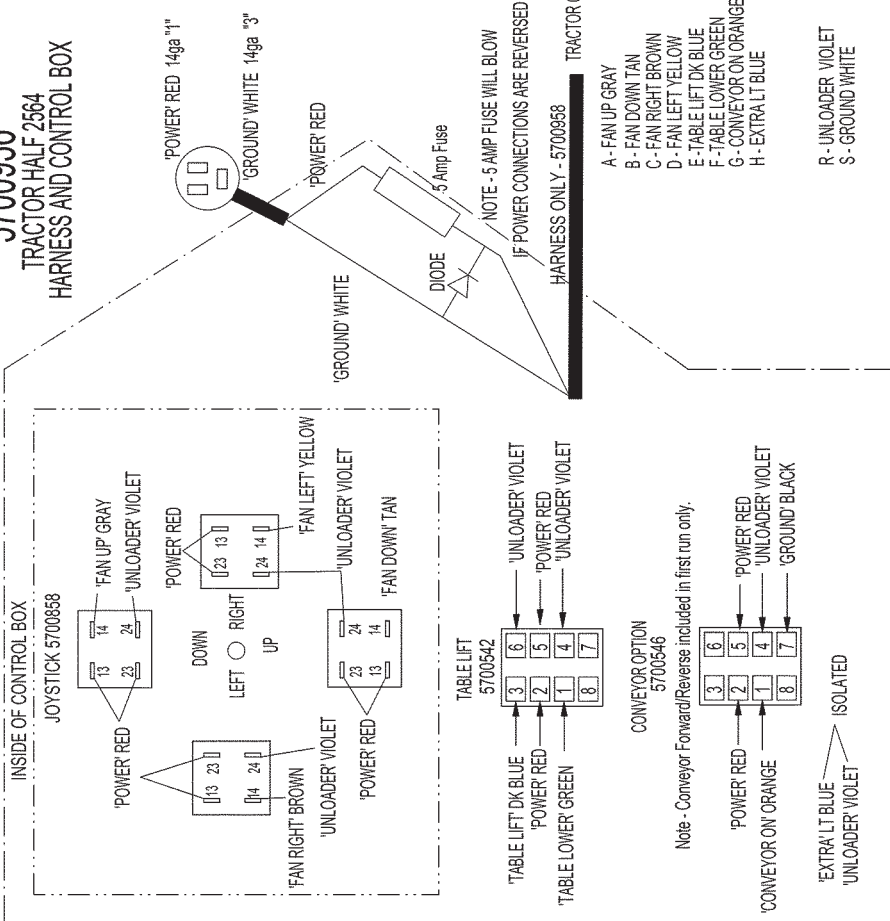
60" OPTIONAL EXTENSION HARNESS

5700830

180" OPTIONAL EXTENSION HARNESS

5700936

TRACTOR HALF 2564 HARNESS AND CONTROL BOX



5700686

Optional Tractor Power Harness

30 AMP ATC IN-LINE FUSE

*1 KEY POWER ORANGE 10ga #18

*2 BATTERY POWER RED 10ga #2

*3 GROUND WHITE 10ga #3

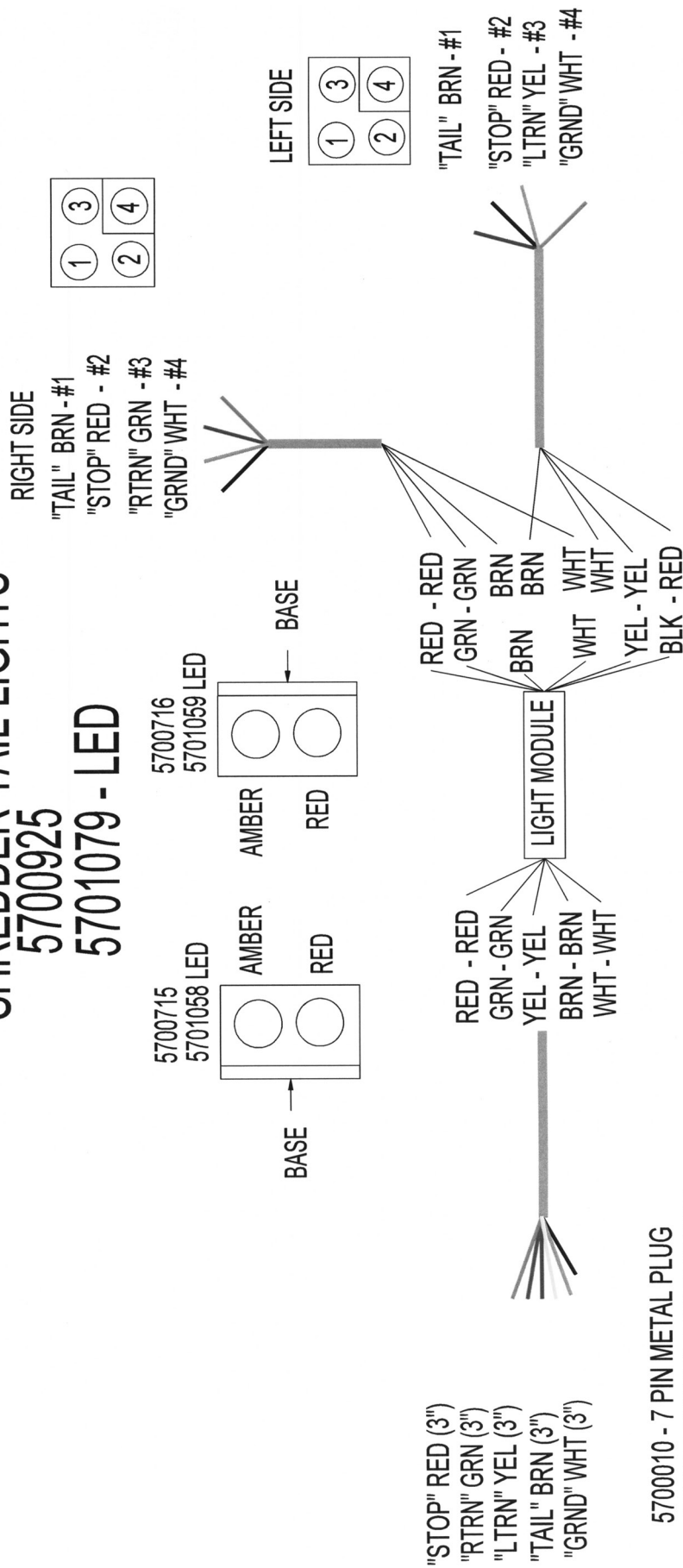


Not Shown - 7200445 - Mounting Plate that can be used to fasten 5700936 to tractor

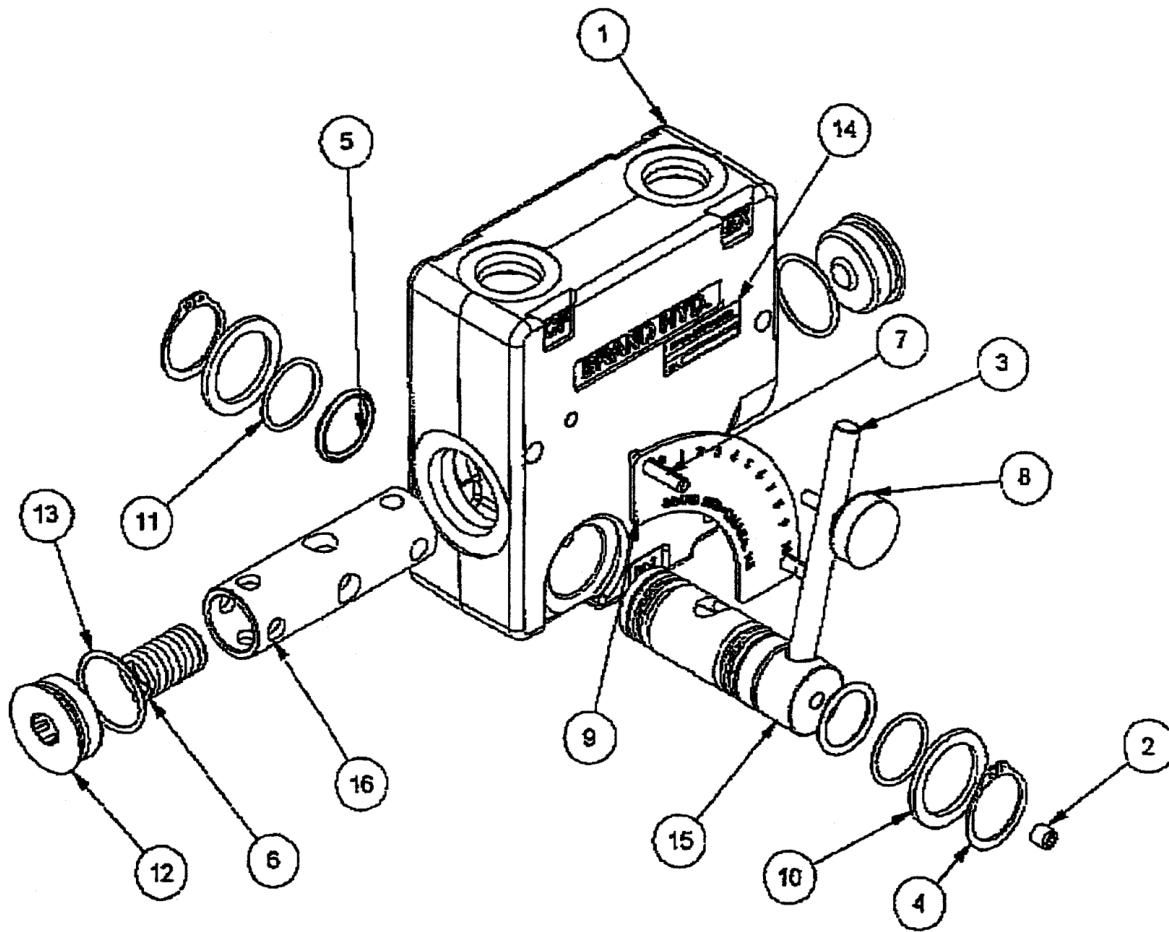
SHREDDER TAIL LIGHTS

5700925

5701079 - LED



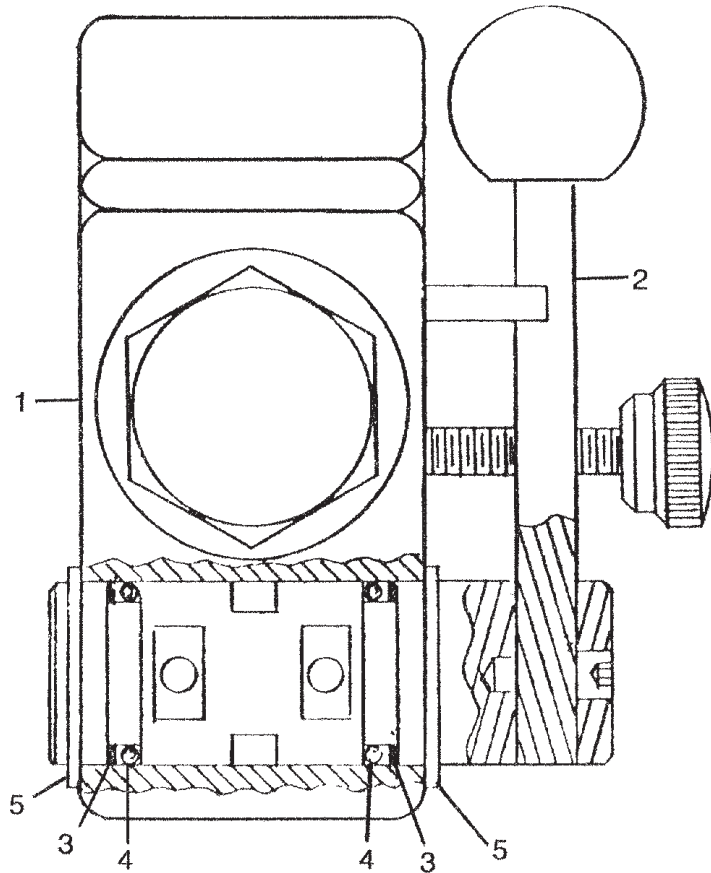
FLOW CONTROL VALVE (4000331)



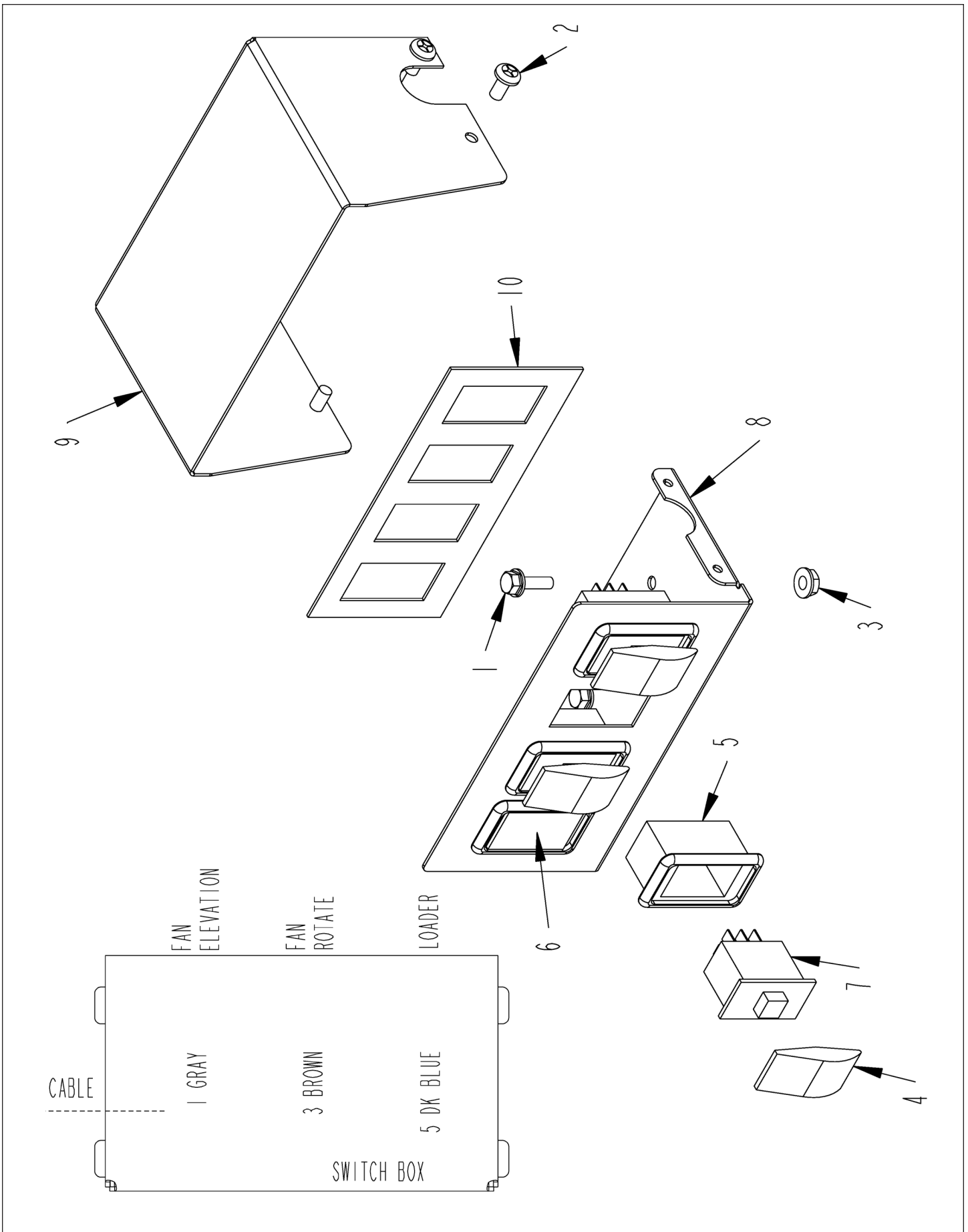
ITEM	PART NO.	DESCRIPTION
	4000331	VALVE\FLW-CRTL\#8FOR
3 & 8	4000334	HDL\ASSY\WHYD
5,10,11, & 13	4000335	SEAL\KIT\WHYD (INCLUDES 2 EACH OF 5,10,11, & 13)
4	4000336	SNAP RING\WHYD

FLOW CONTROL VALVE

ITEM	PART NO.	QTY.	DESCRIPTION
1	4000213	1	Flow Control Valve, o-ring thread
2	4000031	1	Handle Assembly
3 & 4	4000091	1	Seal\Kit\FlowControl
5	4000034	2	Snap Ring



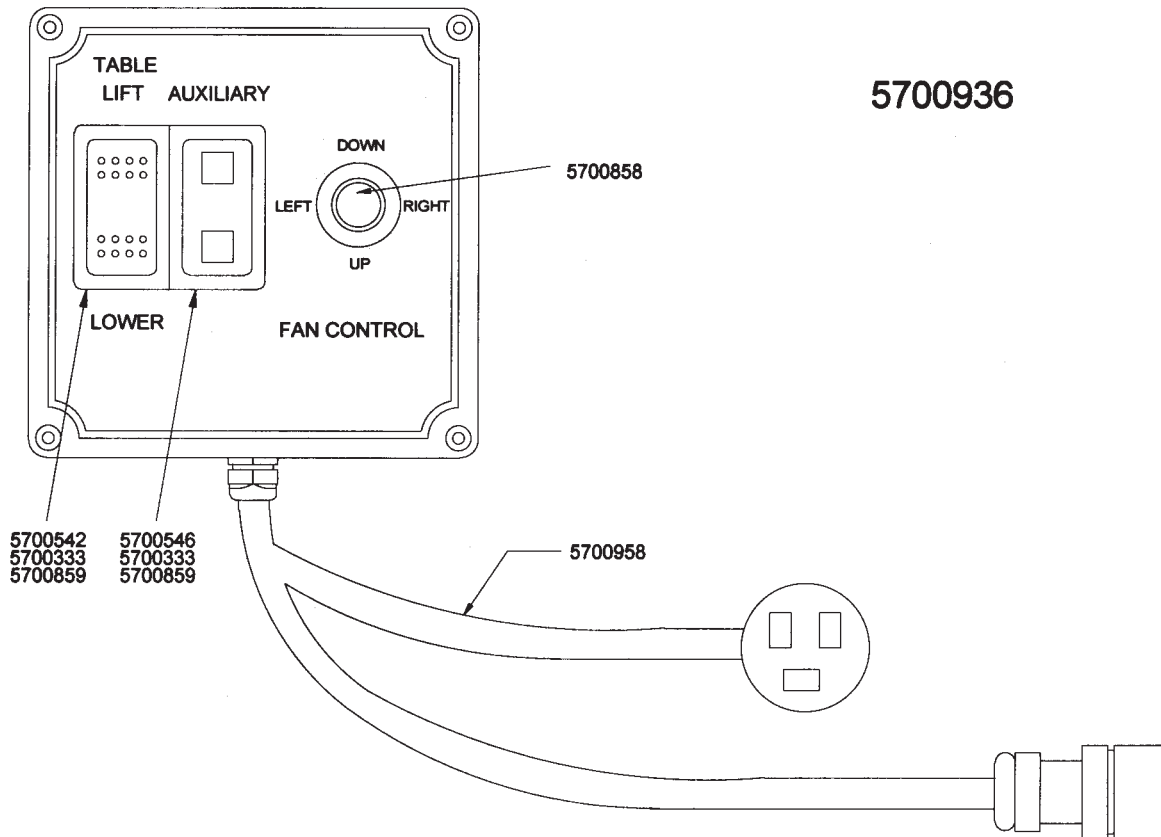
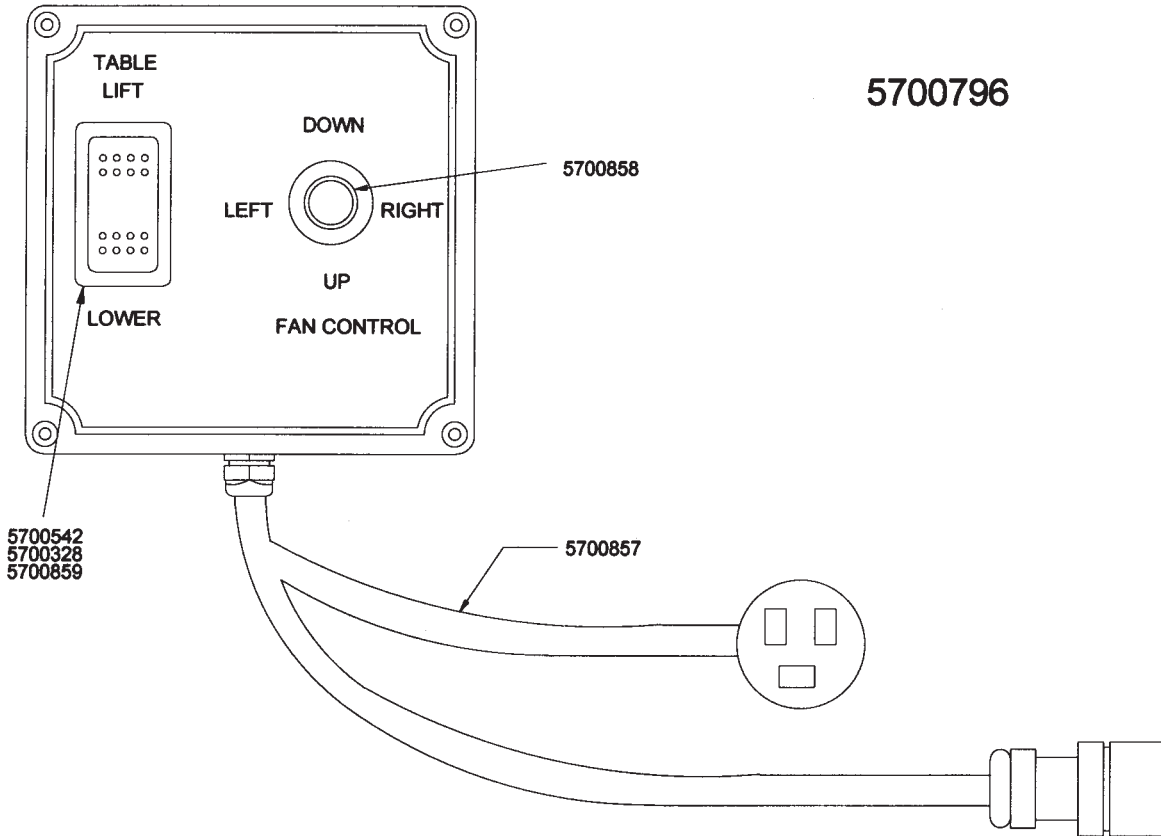
CONTROL PANEL ASSEMBLY & SWITCH BOX



CONTROL PANEL ASSEMBLY & SWITCH BOX

ITEM	PART NO.	QTY.	DESCRIPTION
1	4800301	2	SCR\FLNG\SERR\1/4X3/4
2	4800963	4	SCR\PAN\PHL\#14X1/2\TYPE A
3	4900040	2	NUT\FLG\SERR\1/4\NC
4	5700324	3	SWITCH\RCKR\ACTR\BLK
5	5700328	4	SWITCH\RCKR\MNT\PNL\SNGL
6	5700329	1	SWITCH\RCKR\PLUG
7	5700432	3	SWITCH\RCKR\DPDT\24VUNLIT\MOM\15A
8	8101397	1	SH\PANEL\SWITCH
9	8101398	1	SH\PANEL\SWITCH
10	8101686	1	SH\HSG\SWITCH\2564
	5700708	1	HARN\TRACTOR\2564 (NOT SHOWN)
	8101728		HSG\CNTRL\ASSY\TRACTOR\2564 (INCLUDES ALL THE ABOVE)

JOYSTICK CONTROL BOX



JOYSTICK CONTROL BOX

THRU S.N. 10089064

ITEM	PART NO.	QTY.	DESCRIPTION
1	5700796	1	JOYSTICK\CNTRLBX\W\HARN\COMPLETE
2	5700328	1	SWITCH\RCKR\MNT\PNL\SINGL
3	5700542	1	SWITCH\RCKR\DPDT\24VUNLIT
4	5700857	1	HARN\2564\CNTRLBX
5	5700858	1	SW\JOYSTICK\2;AXIS
6	5700859	1	GASKET\SWITCH\RCKR\CARLING

NOT SHOWN

5700528 5 AMP ATO FUSE

S.N. 10084164 AND UP

ITEM	PART NO.	QTY.	DESCRIPTION
1	5700936	1	JOYSTICK\CNTRBX\4-FNCTN\W-HR
2	5700333	2	SWITCH\RCKR\MNT\PNL\END
3	5700542	1	SWITCH\RCKR\DPDT\24VUNLIT
4	5700546	1	SWITCH\RCKR\DPDT\12V\2LIT
5	5700958	1	HARN\2564\CNTRLBX\4-FNCTN
6	5700858	1	SW\JOYSTICK\2;AXIS
7	5700859	1	GASKET\SWITCH\RCKR\CARLING

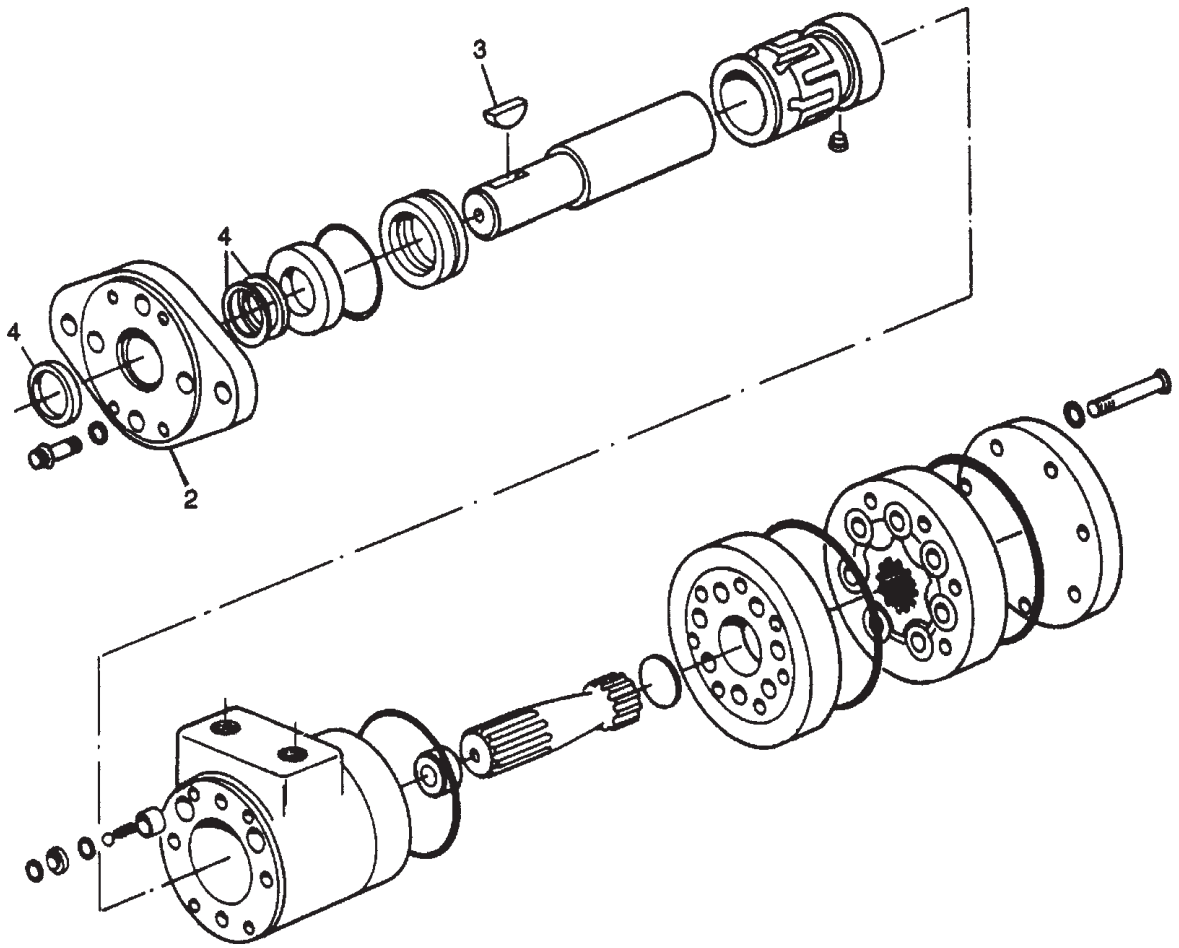
NOT SHOWN

5700528 5 AMP ATO FUSE

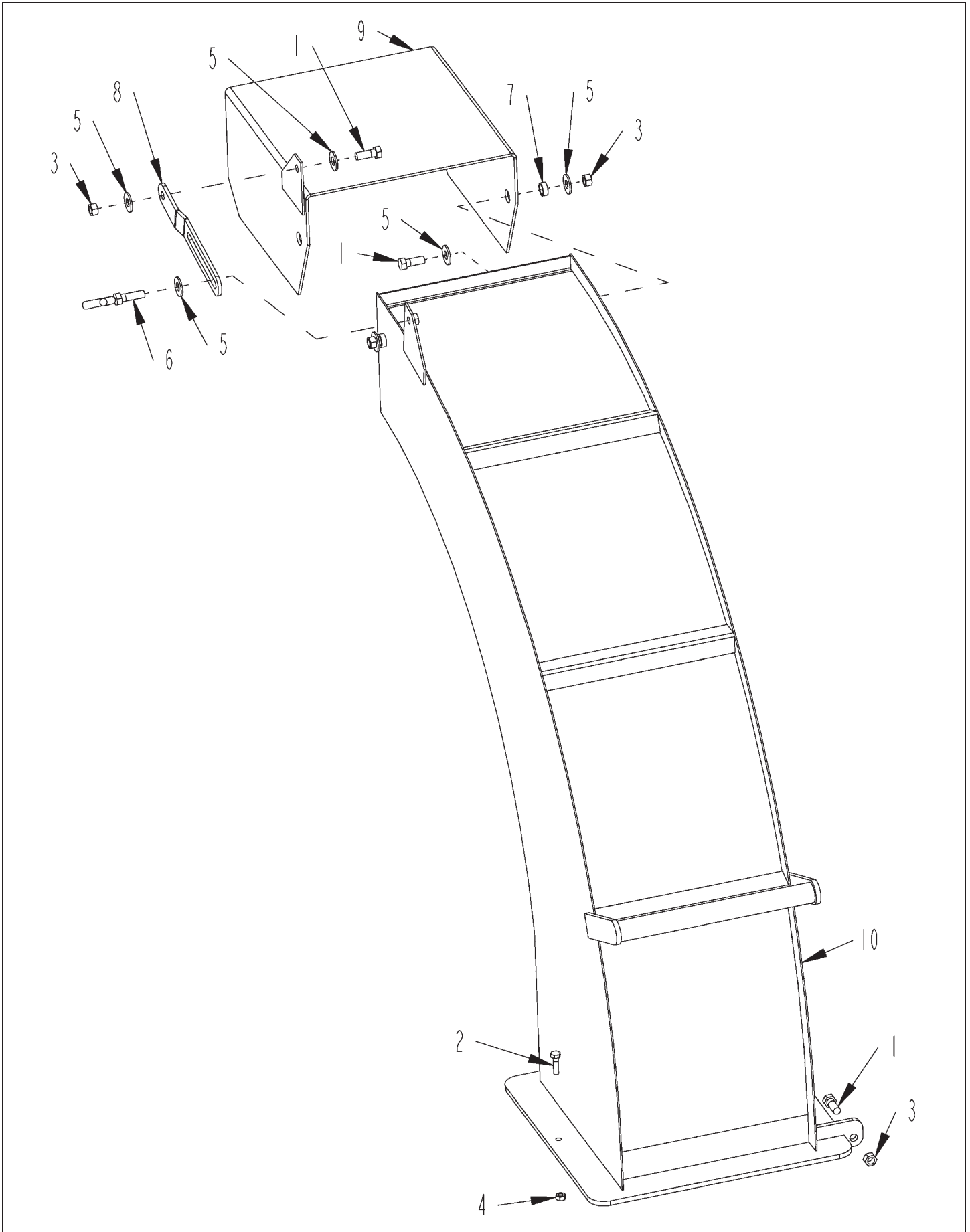


ORBIT MOTOR ASSEMBLY

ITEM	PART NO.	QTY.	DESCRIPTION
1	3900025		Mtr\Hyd\17.9\HVA;MNT\7/8for o-ring thread
2	3900002	1	Mounting Flange
3	6200011	1	Key, Woodruff
4	7501038	1	Seal Kit
1	3900033		Mtr\Hyd\14.1\7/8FOR
4	7501038	1	Seal Kit



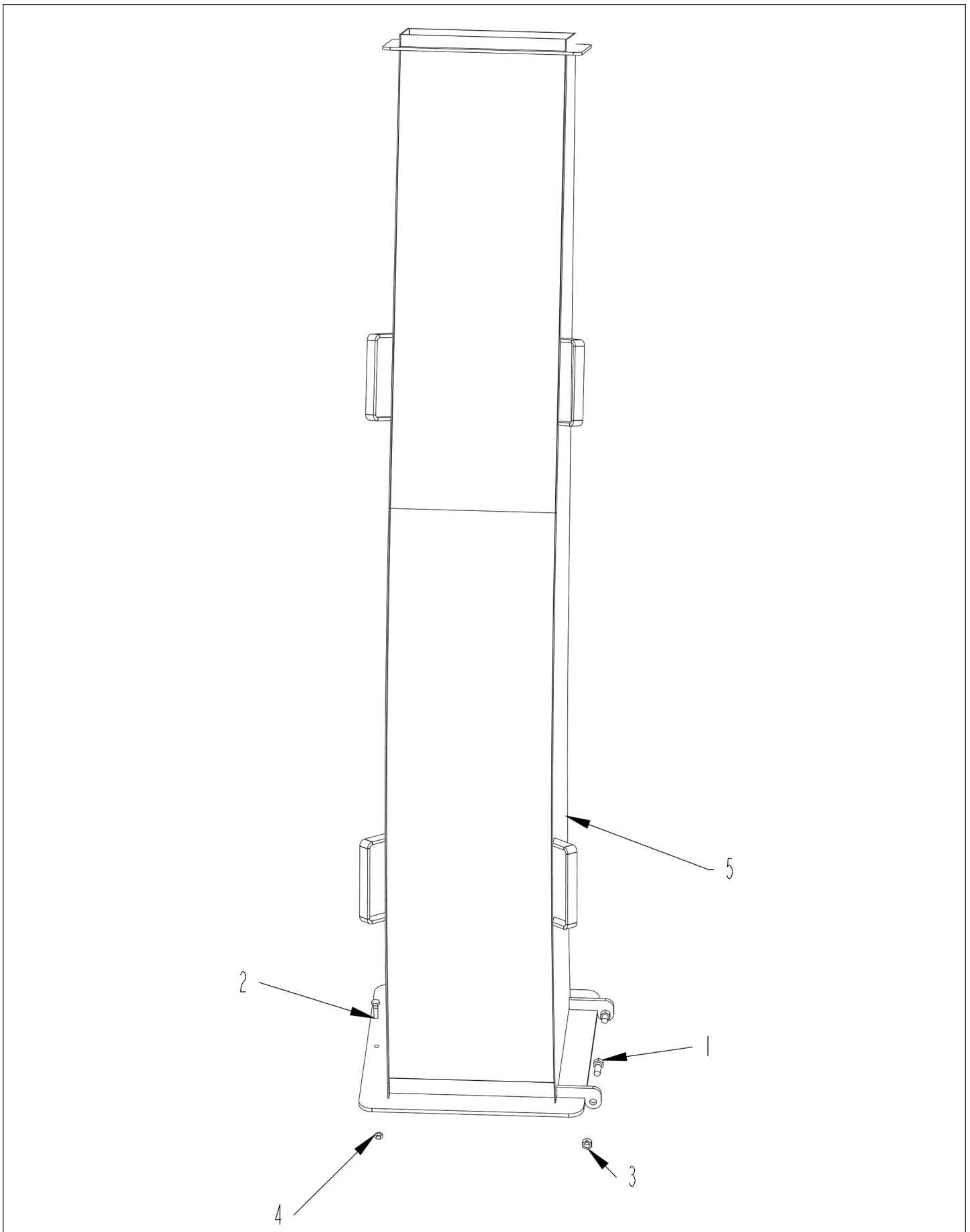
OPTIONAL COVERED SPOUT ASSEMBLY



OPTIONAL COVERED SPOUT ASSEMBLY

ITEM	PART NO.	QTY.	DESCRIPTION
	8101691		#3\CURVED\SPOUT\KIT
1	4800003	5	BOLT\HEX\3/8X1
2	4800277	1	BOLT\HEX\1/4X1
3	4900023	5	NUT\TPLCK\3/8\NC
4	4900084	1	NUT\TPLCK\1/4\NC
5	5000001	7	WASH\FLAT\3/8
6	8100247	1	BOLT\ADJ\SPOUT
7	8100257	2	BUSH\DFLCTR\SPOUT
8	8100299	1	STRAP\ADJ\SPOUT
9	8100500	1	DFLCTR\SPOUT\DISCH
10	8101298	1	SPOUT\NO3\2564

OPTIONAL 5-1/2 FT. STRAW CANNON ASSEMBLY

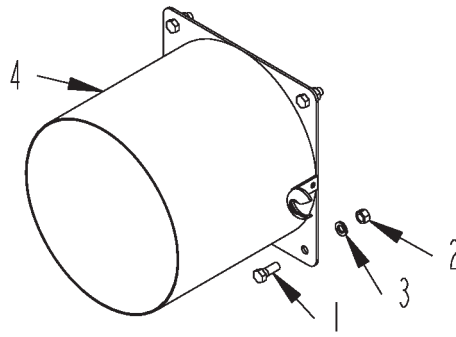


OPTIONAL 5-1/2 FT. STRAW CANNON ASSEMBLY

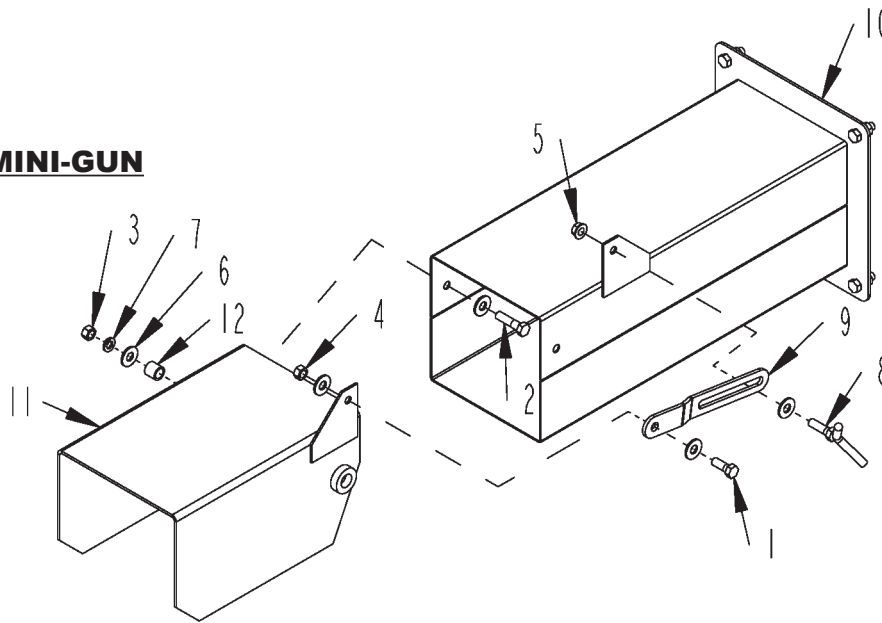
ITEM	PART NO.	QTY.	DESCRIPTION
1	4800003	2	BOLT\HEX\3/8X1
2	4800277	1	BOLT\HEX\1/4X1
3	4900023	2	NUT\TPLCK\3/8\NC
4	4900084	1	NUT\TPLCK\1/4\NC
5	8101723	1	SPOUT\CANNON\5-1/2 FT
NOT SHOWN			
	6500276	2	DECAL\LOGO\STRAW;CANNON
	8101746		#5\STRAW\CANNON\KIT

ENCLOSED CURVED SPOUT

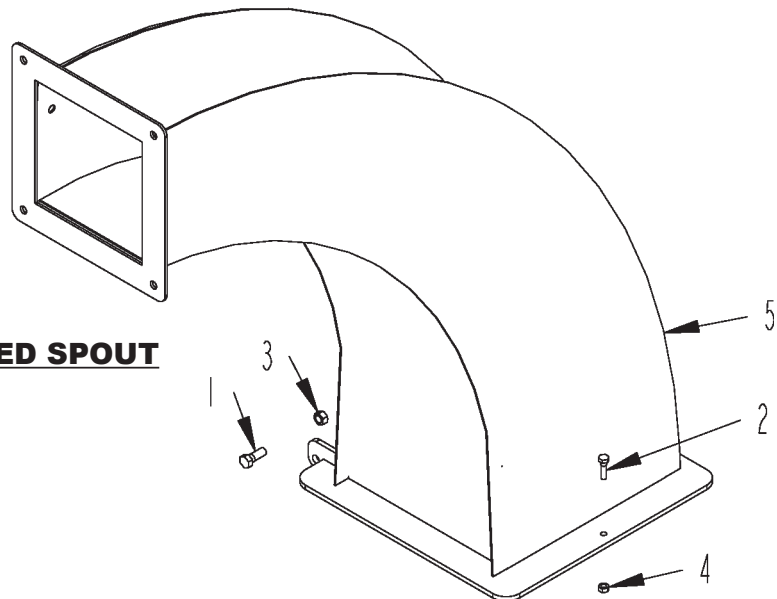
SPOUT HOSE BRACKET



SPOUT MINI-GUN



ENCLOSED CURVED SPOUT



ENCLOSED CURVED SPOUT**SPOUT HOSE BRACKET**

ITEM	PART NO.	QTY.	DESCRIPTION
1	4800003	4	BOLT\HEX\3/8X1
2	4900002	4	NUT\HEX\3/8\NC
3	5000019	4	WASH\LOCK\3/8
4	8101767	1	BRKT\HOSE\SPOUT

SPOUT MINI-GUN

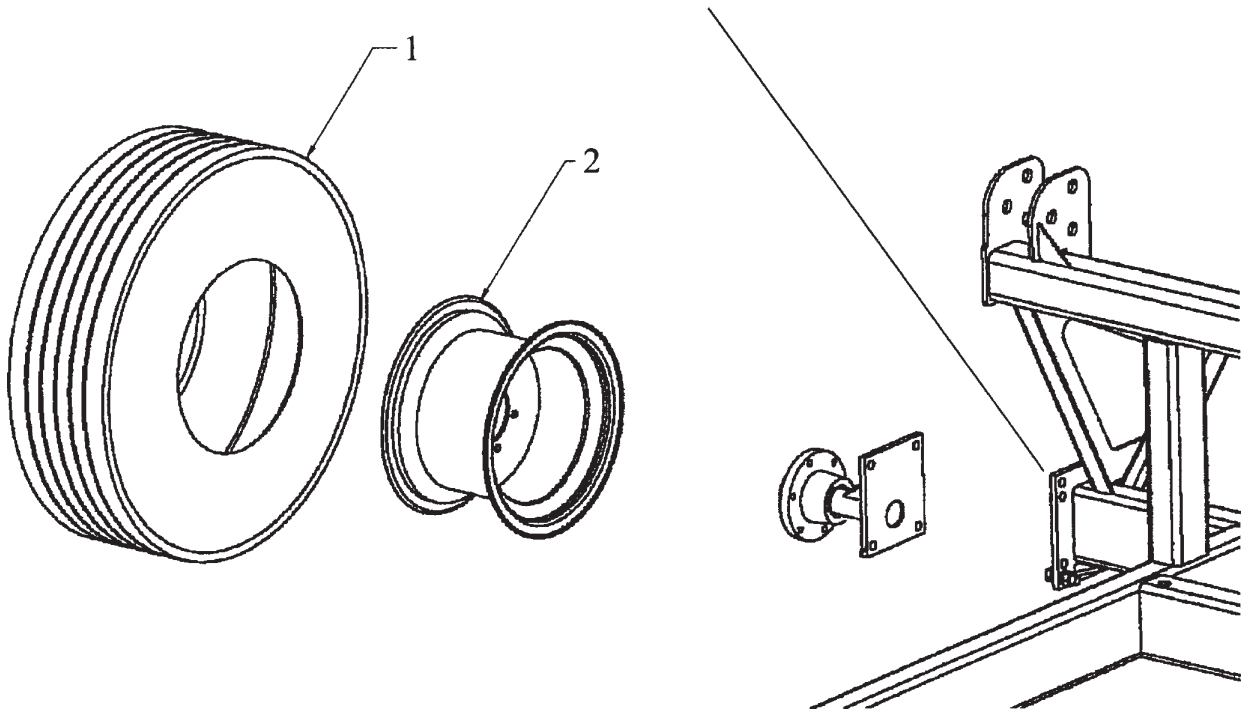
ITEM	PART NO.	QTY.	DESCRIPTION
1	4800003	5	BOLT\HEX\3/8X1
2	4800034	2	BOLT\HEX\3/8X1-1/2
3	4900002	6	NUT\HEX\3/8\NC
4	4900023	1	NUT\TPLCK\3/8\NC
5	4900076	1	NUT\FLG\SERR\3/8\NC
6	5000001	7	WASH\FLAT\3/8
7	5000019	6	WASH\LOCK\3/8
8	8100247	1	BOLT\ADJ\SPOUT
9	8100299	1	STRAP\ADJ\SPOUT
10	8101768	1	SPOUT\MINI-GUN
11	8101769	1	DFLCTR\SPOUT\DISCH
12	8101776	2	BSH\SPOUT\11/16"
13	8101782	1	SPOUT\MINI-GUN\KIT

ENCLOSED CURVED SPOUT

ITEM	PART NO.	QTY.	DESCRIPTION
1	4800003	2	BOLT\HEX\3/8X1
2	4800277	1	BOLT\HEX\1/4X1
3	4900023	2	NUT\TPLCK\3/8\NC
4	4900084	1	NUT\TPLCK\1/4\NC
5	8101765	1	SPOUT\3FT\HOSE\2564

FLOTATION TIRE (OPTION)

Note - Move hub and spindle to upper set of holes in the main frame when using the Floatation Tires.

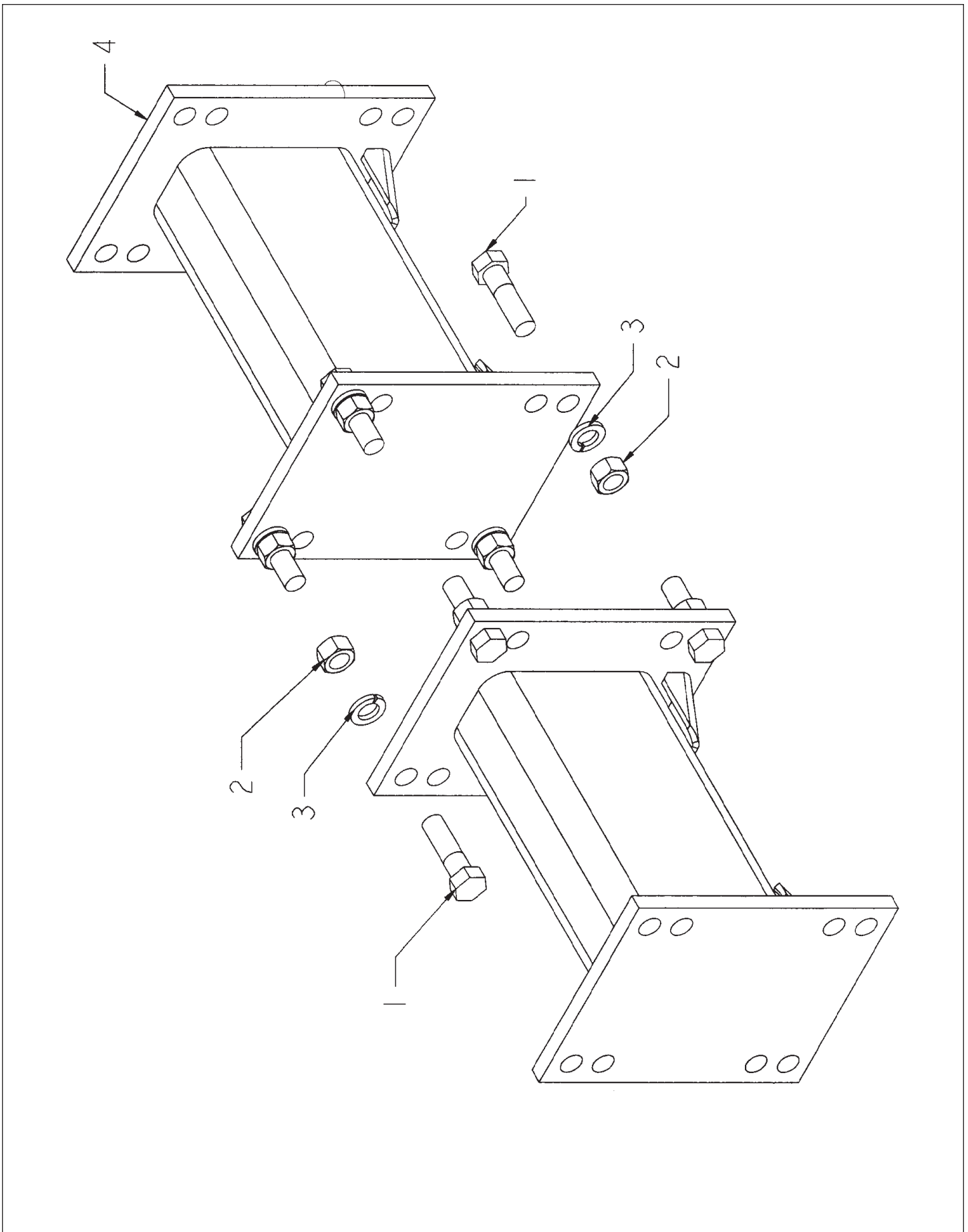


FLOTATION TIRE (OPTION)

ITEM	PART NO.	QTY.	DESCRIPTION
	2600849	1	WHL\IMP-2\ASSY\14LX16.1 Includes 2 each of items 1 and 2
2	2600846	2	TIRE\14LX16.1\8PLY
1	2600847	2	WHL\6-BOLT\16.1X11
1&2	2600848	2	WHL\IMP-1\ASSY\14LX16.1 Includes 1 each of items 1 and 2

Note- Optional Fenders can not be used with Optional Floatation Tires.

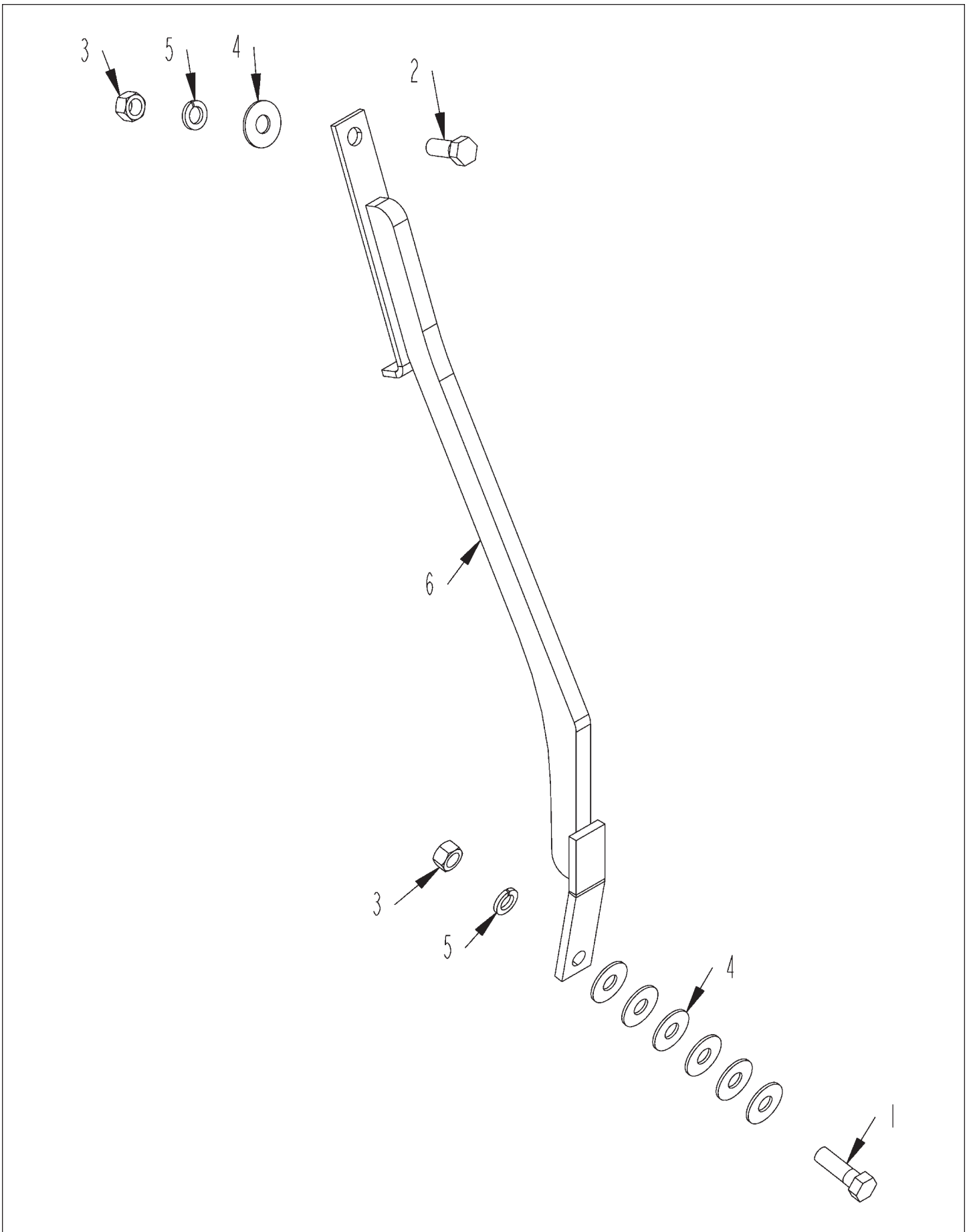
AXLE EXTENSIONS (OPTION)



AXLE EXTENSIONS (OPTION)

ITEM	PART NO.	QTY.	DESCRIPTION
1	4800350	8	BOLT\HEX\5/8X2-1/4
2	4900005	8	NUT\HEX\5/8\NC
3	5000003	8	WASH\LOCK\5/8
4	8101267	2	AXLE\EXTENSION\12"
5	8101276	1	EXTENSION\AXLE\KIT

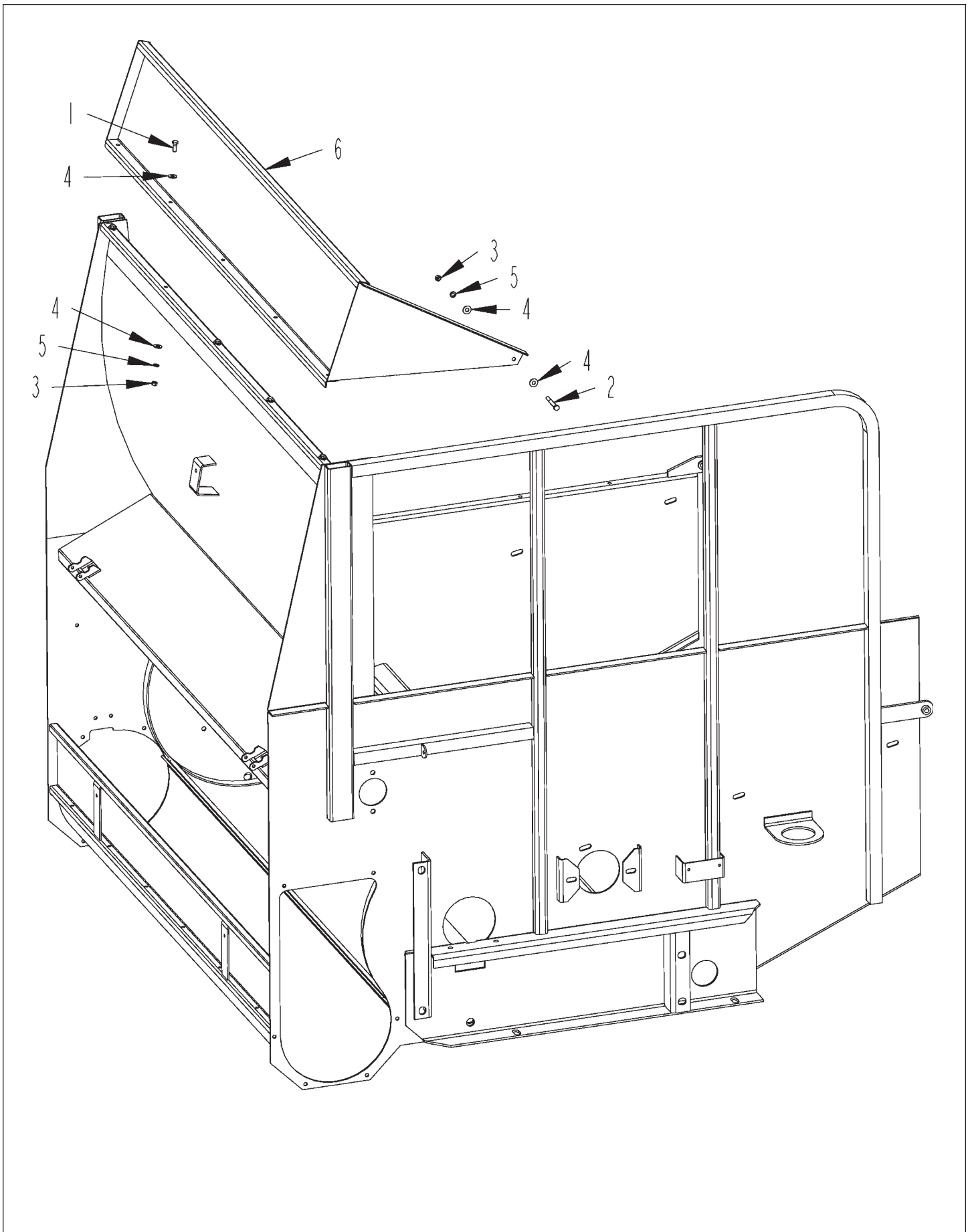
OPTIONAL STATIONARY SLUG BAR ASSEMBLY



OPTIONAL STATIONARY SLUG BAR ASSEMBLY

ITEM	PART NO.	QTY.	DESCRIPTION
	8101693		SLUGBAR\KIT\2564
1	4800010	1	BOLT\HEX\5/8X2
2	4800106	1	BOLT\HEX\5/8X1-1/2
3	4900005	2	NUT\HEX\5/8\NC
4	5000002	7	WASH\FLAT\5/8
5	5000003	2	WASH\LOCK\5/8
6	8101680	1	SLUGBAR

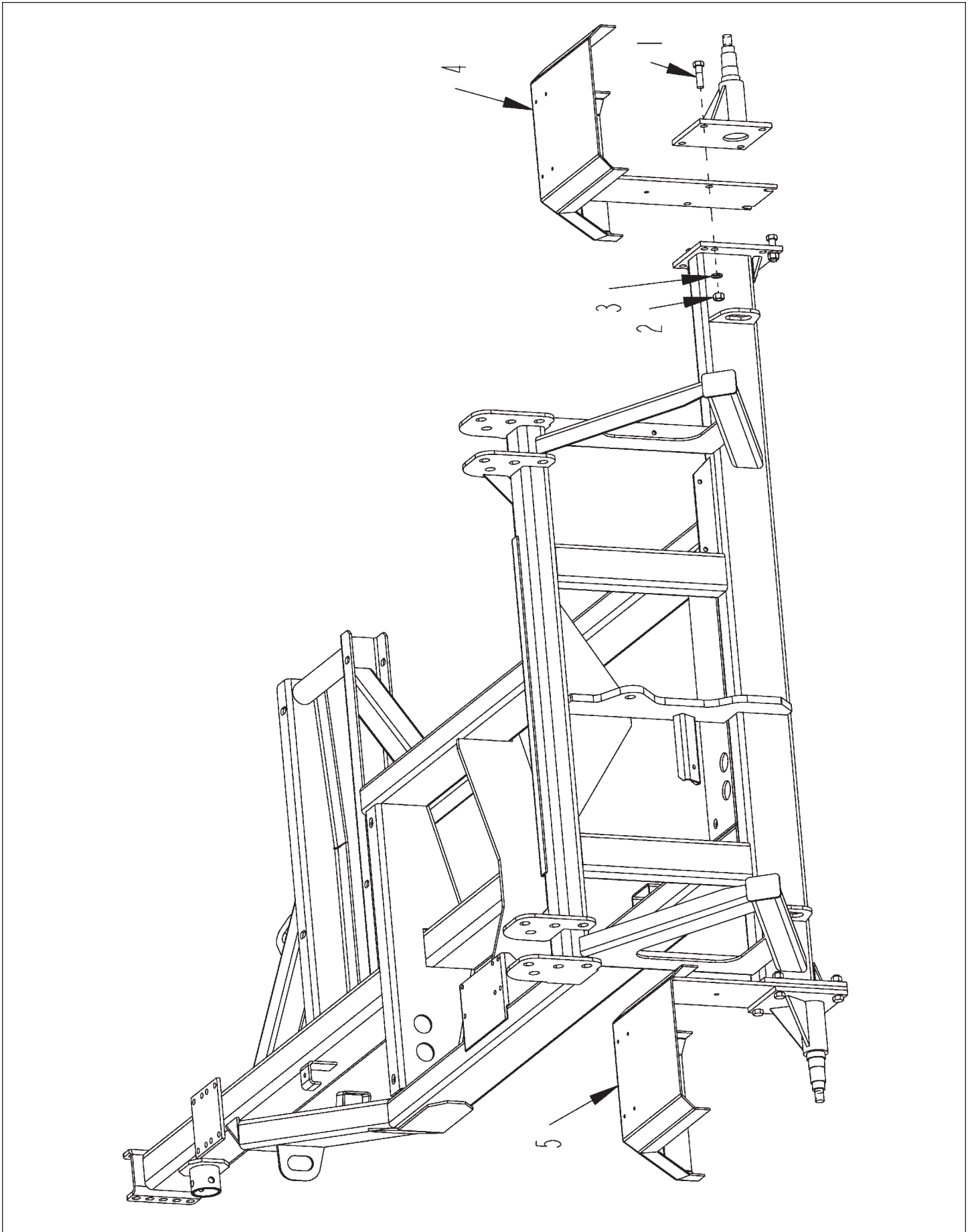
OPTIONAL SHREDDER EXTENSION ASSEMBLY



OPTIONAL SHREDDER EXTENSION ASSEMBLY

ITEM	PART NO.	QTY.	DESCRIPTION
1	4800003	5	BOLT\HEX\3/8X1
2	4800156	1	BOLT\HEX\3/8X3
3	4900002	6	NUT\HEX\3/8\NC
4	5000001	12	WASH\FLAT\3/8
5	5000019	6	WASH\LOCK\3/8
6	8100796	1	EXT\SHRDR\77-1/2

OPTIONAL FENDER ASSEMBLY

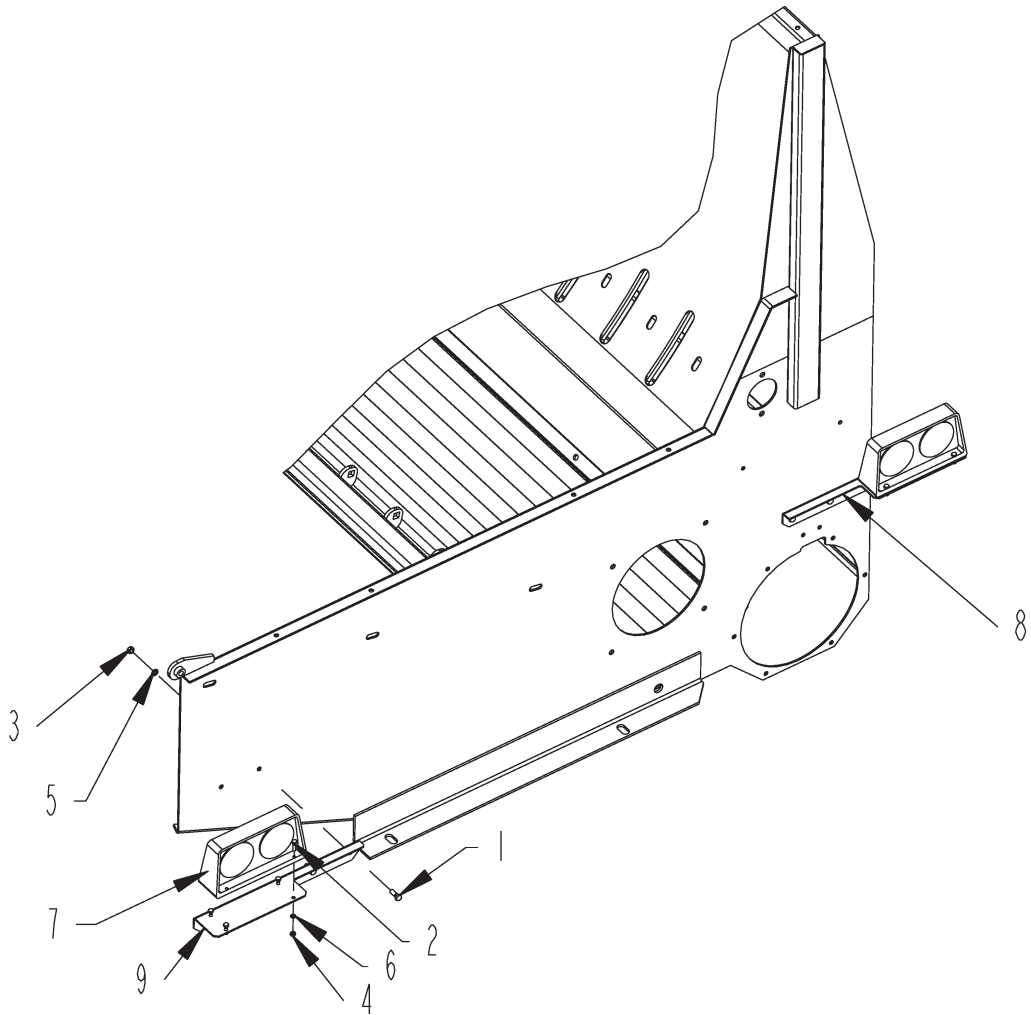
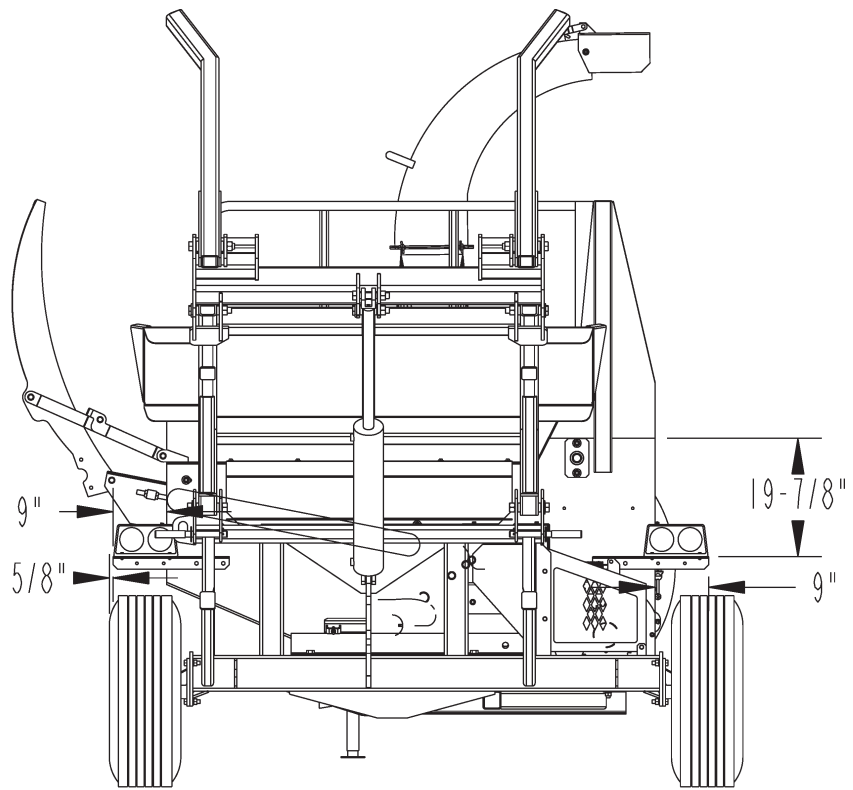


OPTIONAL FENDER ASSEMBLY

ITEM	PART NO.	QTY.	DESCRIPTION
1	4800350	8	BOLT\HEX\5/8X2-1/4
2	4900005	8	NUT\HEX\5/8\NC
3	5000003	8	WASH\LOCK\5/8
4	8100827	1	FNDR\RT
5	8100828	1	FNDR\LT

Note- Optional Fenders can not be used with Optional Floatation Tires.

TAILLIGHTS - STANDARD MOUNTING



TAILLIGHTS - STANDARD MOUNTING

THRU S.N. 10089064

ITEM	PART	QTY.	PART DESCRIPTION
1	4800003	4	BOLT\HEX\3/8X1
2	4800277	8	BOLT\HEX\1/4X1
3	4900002	4	NUT\HEX\3/8\NC
4	4900009	8	NUT\HEX\1/4\NC
5	5000019	4	WASH\LOCK\3/8
6	5000024	8	WASH\LOCK\1/4
7	5700423	1	KIT\LIGHT (includes: 5700827, 5700828, 5700842)
			NOTE: 5701079 4 PIN KIT WILL FIT OLDER MACHINES IF ORDERING COMPLETE KIT
	5700827	1	TAILLIGHT\RED;RIGHT\ASSY\3PIN
	5700828	1	TAILLIGHT\RED;LEFT\ASSY\3PIN
	5700842	1	HARN\TAIL;LIGHTS\for 5700423
7 LED	5701079		KIT\LIGHT\LED\2-LIGHT\4-PIN (includes 5700924, 5701058, 5701059)
	5701058		TAILLIGHT\RED;RIGHT\LED\ASSY\4PIN
	5701059		TAILLIGHT\RED;LEFT\LED\ASSY\4PIN
	5700924		HARN\TAIL;LIGHTS\SHREDDR\4PIN
8	8101527	1	BRKT\TAILLIGHT\2564\RH
9	8101528	1	BRKT\TAILLIGHT\2564\LH

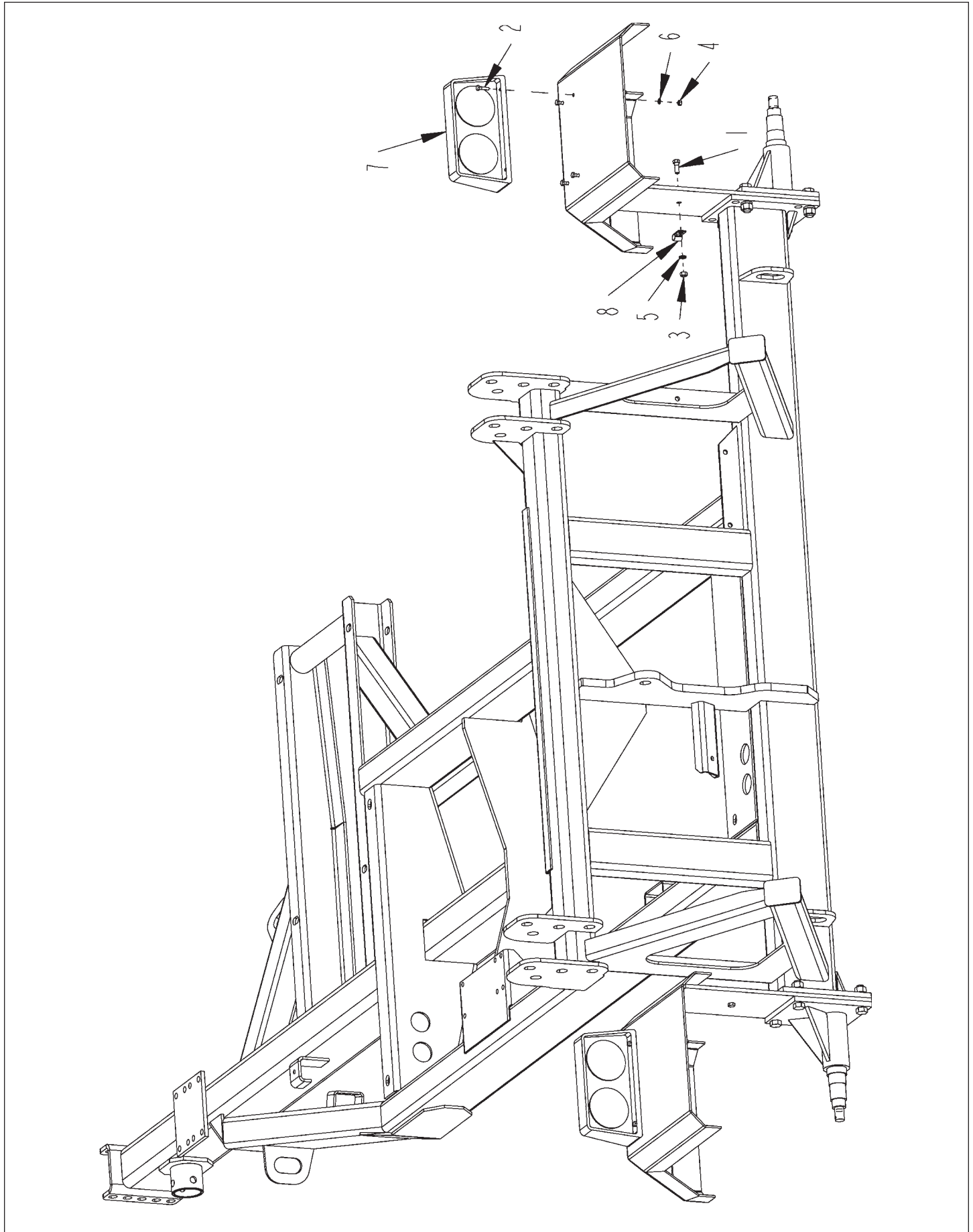
NOT SHOWN

7500700	LOOM\POLY\SPLIT\3/8
7500835	LOOM\POLY\SPLIT\1/2

S.N. 10089164 & UP

ITEM	PART	QTY.	PART DESCRIPTION
1	4800003	4	BOLT\HEX\3/8X1
2	4800277	8	BOLT\HEX\1/4X1
3	4900002	4	NUT\HEX\3/8\NC
4	4900009	8	NUT\HEX\1/4\NC
5	5000019	4	WASH\LOCK\3/8
6	5000024	8	WASH\LOCK\1/4
7	5700925	2	KIT\LIGHT (includes 5700715, 5700716, 5700924)
	5700715	1	TAILLIGHT\RED;RIGHT\ASSY\4PIN
	5700716	1	TAILLIGHT\RED;LEFT\ASSY\4PIN
	5700924	1	HARN\TAIL;LIGHTS\SHREDDR\4PIN
7 LED	5701079		KIT\LIGHT\LED\2-LIGHT\4-PIN (includes 5700924, 5701058, 5701059)
	5701058		TAILLIGHT\RED;RIGHT\LED\ASSY\4PIN
	5701059		TAILLIGHT\RED;LEFT\LED\ASSY\4PIN
	5700924		HARN\TAIL;LIGHTS\SHREDDR\4PIN
8	8101527	1	BRKT\TAILLIGHT\2564\RH
9	8101528	1	BRKT\TAILLIGHT\2564\LH
	8101529		LIGHTS\TRAVEL\KIT\2564

OPTIONAL TAILLIGHT - FENDER MOUNTING



OPTIONAL TAILLIGHT - FENDER MOUNTING

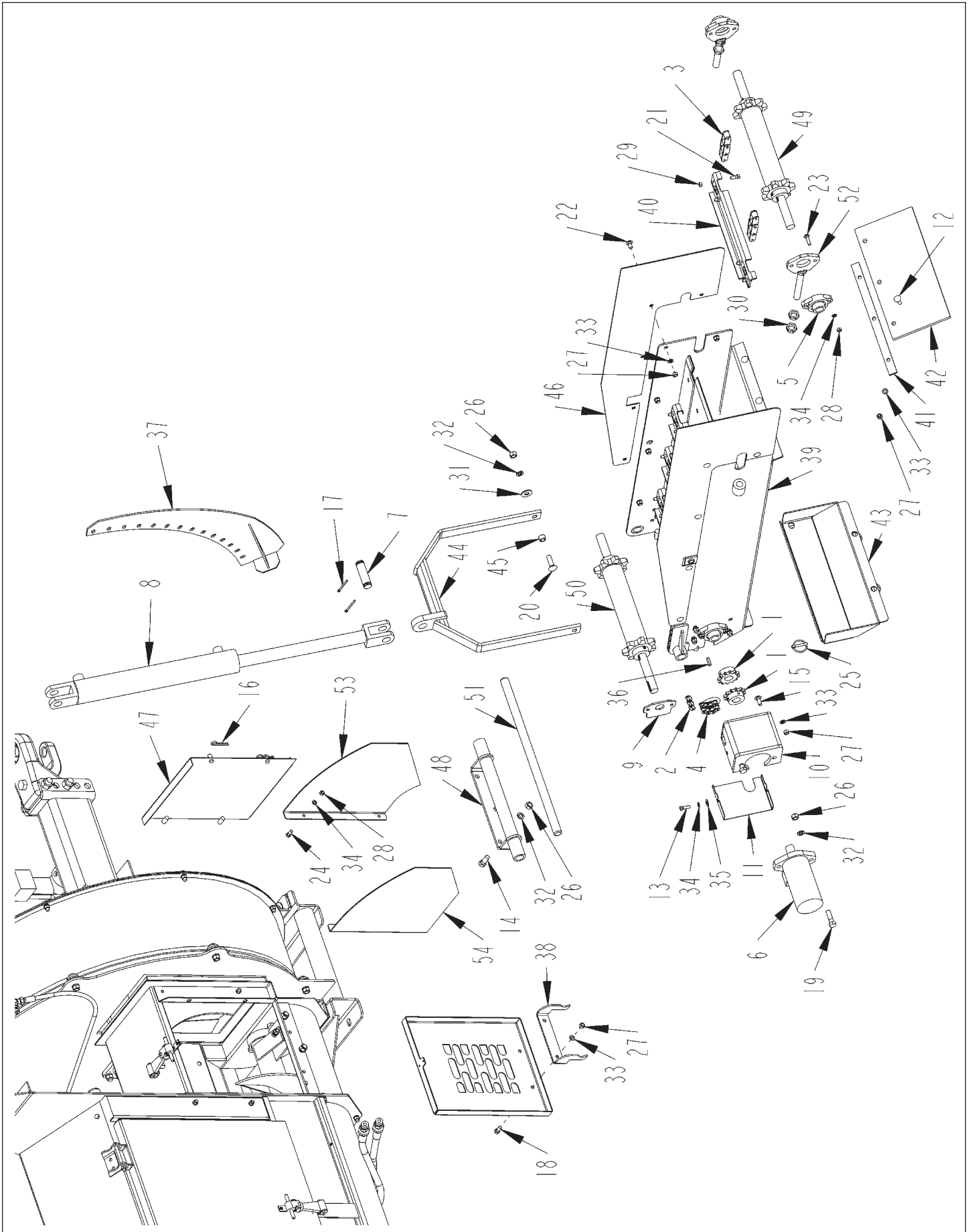
THRU S.N. 10089064

ITEM	PART	QTY.	PART DESCRIPTION
1	4800003	2	BOLT\HEX\3/8X1
2	4800277	8	BOLT\HEX\1/4X1
3	4900002	2	NUT\HEX\3/8\NC
4	4900009	8	NUT\HEX\1/4\NC
5	5000019	2	WASH\LOCK\3/8
6	5000024	8	WASH\LOCK\1/4
7	5700423	1	KIT\LIGHT (includes: 5700827, 5700828, 5700842) NOTE: 5701079 4 PIN KIT WILL FIT OLDER MACHINES IF ORDERING COMPLETE KIT
	5700827	1	TAILLIGHT\RED;RIGHT\ASSY\3PIN
	5701083		TAILLIGHT\RED;RIGHT\LED\ASSY\3PIN
	5700828	1	TAILLIGHT\RED;LEFT\ASSY\3PIN
	5701084		TAILLIGHT\RED;LEFT\LED\ASSY\3PIN
	5700842	1	HARN\TAIL;LIGHTS\for 5700423
8	7500713	7	CLAMP\CUSH\HD\1/2
NOT SHOWN			
	7500700	10	LOOM\POLY\SPLIT\3/8
	7500835	32	LOOM\POLY\SPLIT\1/2

S.N. 10089164 & UP

ITEM	PART	QTY.	PART DESCRIPTION
1	4800003	2	BOLT\HEX\3/8X1
2	4800277	8	BOLT\HEX\1/4X1
3	4900002	2	NUT\HEX\3/8\NC
4	4900009	8	NUT\HEX\1/4\NC
5	5000019	2	WASH\LOCK\3/8
6	5000024	8	WASH\LOCK\1/4
7	5700925	2	KIT\LIGHT (includes 5700715, 5700716, 5700924)
	5700715	1	TAILLIGHT\RED;RIGHT\ASSY\4PIN
	5700716	1	TAILLIGHT\RED;LEFT\ASSY\4PIN
	5700924	1	HARN\TAIL;LIGHTS\SHREDDR\4PIN
7 LED	5701079		KIT\LIGHT\LED\2-LIGHT\4-PIN (includes 5700924, 5701058, 5701059)
	5701058		TAILLIGHT\RED;RIGHT\LED\ASSY\4PIN
	5701059		TAILLIGHT\RED;LEFT\LED\ASSY\4PIN
	5700924		HARN\TAIL;LIGHTS\SHREDDR\4PIN
8	7500713	7	CLAMP\CUSH\HD\1/2

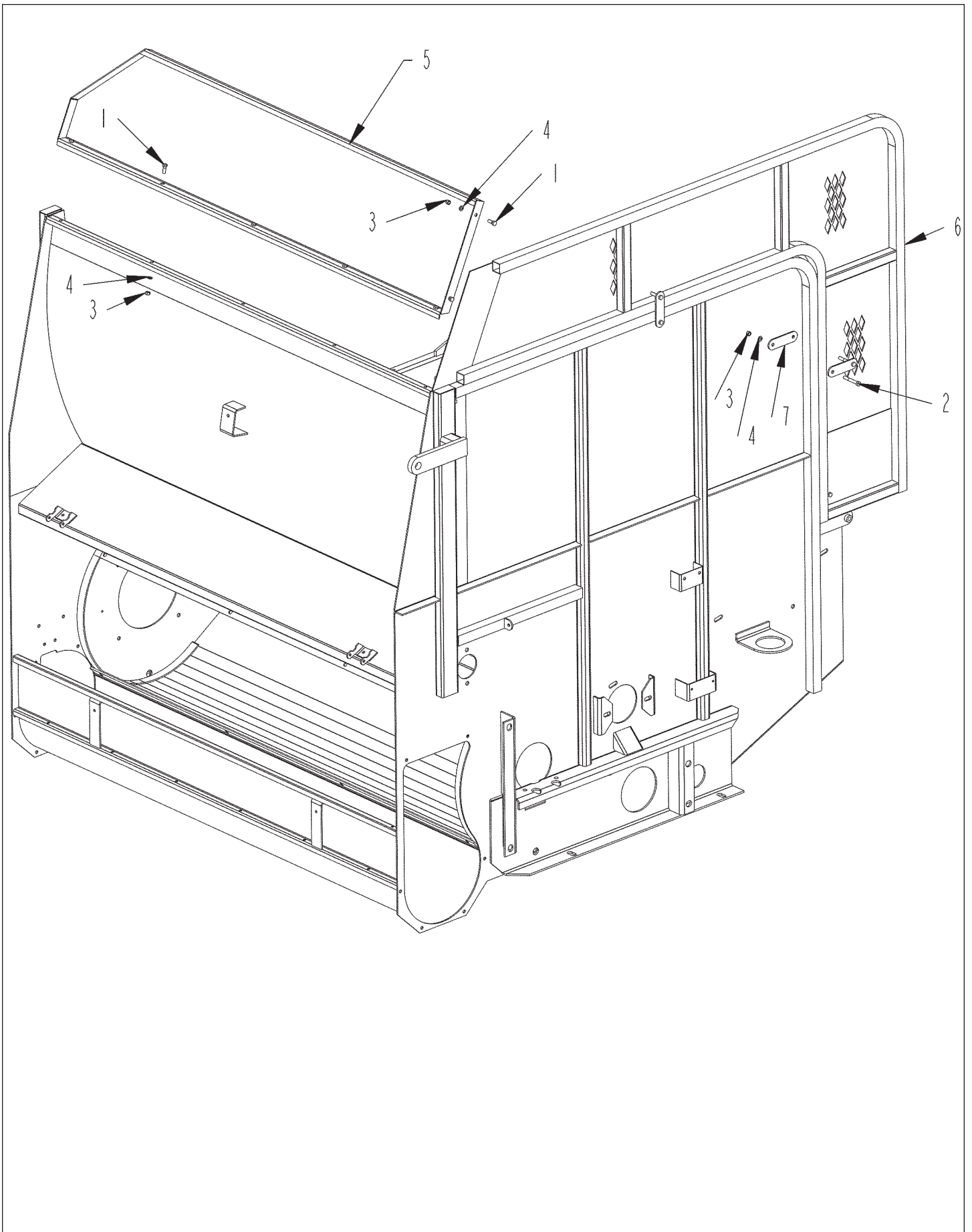
OPTIONAL BUNK CONVEYOR



OPTIONAL BUNK CONVEYOR

ITEM	PART NO.	QTY.	DESCRIPTION
1	1000055	2	SPKT\50\B\12\1\1/4KW
2	1100099	1	CHAIN\50DBL\CL
3	1100150	2	CHAIN\620CA\53W\ATTCH
4	1100271	1	CHAIN\50DBL\11
5	2000310	4	BRG\FLG\CAST\1\2BOLT
6	3900033	1	MTR\HYD\101-1038\14.1C\17/8FOR
7	4100030	2	PIN 1" X 3-1/2" HYD. CYL.
8	4100224	1	CYL\HYD\2-1/2X16\1-1/2ROD\3/4OR
9	4704327	2	GUARD\CNVYR
10	4704558	1	MNT\MTR\CNVYR\CMF
11	4704559	1	SHLD\CPLR\CNVYR
12	4800012	3	BOLT\CRG\3/8X1-1/4\NC
13	4800013	2	BOLT\HEX\5/16X1
14	4800018	3	BOLT\HEX\1/2X1-1/4
15	4800053	4	BOLT\CRG\3/8X1\NC
16	4800107	2	PIN\HAIR\1/8(#9)
17	4800157	4	PIN\COT\3/16X2
18	4800164	2	BOLT\HEX\3/8X3/4
19	4800178	2	BOLT\HEX\1/2X1-3/4
20	4800201	2	BOLT\CRG\1/2X1-3/4\NC\GR5
21	4800393	36	BOLT\HEX\5/16X7/8\GR8
22	4800394	10	BOLT\CRG\3/8X3/4\NC
23	4800474	8	BOLT\CRG\5/16X1-1/4\NC
24	4800643	4	BOLT\HEX\5/16X3/4
25	4801236	4	PIN\LYNCH\1/4X1-9/16\ZN_PLT
26	4900001	7	NUT\HEX\1/2\NC
27	4900002	17	NUT\HEX\3/8\NC
28	4900003	17	NUT\HEX\5/16\NC
29	4900099	36	NUT\TPLCK\5/16\GR8\NC
30	4900104	4	NUT\JAM\3/4\NC
31	5000004	2	WASH\FLAT\1/2
32	5000006	7	WASH\LOCK\1/2
33	5000019	17	WASH\LOCK\3/8
34	5000022	14	WASH\LOCK\5/16
35	5000023	2	WASH\FLAT\5/16
36	6200010	1	KEY\SQ\1/4X1
37	8100733	1	BRKT\STOP\FAN
38	8101335	1	MNT\DOOR
39	8101798	1	FRM\CNVYR\BUNK
40	8101799	9	SLAT\CHAIN\EXT\CNVYR
41	8101800	1	FLAT\WIPER\CNVYR
42	8101801	1	BELT\DEFL\EXT\CNVYR
43	8101802	1	SH\COVER\CNVYR\EXT
44	8101804	1	LINK\MNT\CYL\CNVYR
45	8101805	2	BUSH\LINK\CNVYR\2564
46	8101808	2	EXT\SIDE\CNVYR
47	8101809	1	END\WALL\XTNSN
48	8101812	1	MNT\CNVYR
49	8101815	1	IDLER\ASSY\CNVYR INCLUDES: SPKT\662\7\1\1/4KWDR SCR\SET\ALN\3/8X3/8\NC KEY\SQ\1/4X1-1/2 IDLER\WELD\CNVYR
50	8101816	1	DRIVE\ASSY\CNVYR INCLUDES: SPKT\662\7\1\1/4KWDR SCR\SET\ALN\3/8X3/8\NC KEY\SQ\1/4X1-1/2 DRIVE\WELD\CNVYR
51	8101818	1	PIN\HINGE\CNVYR
52	8101831	2	MNT\BRG\CNVYR
53	8101832	1	BRKT\GUIDE\HAY\CNVYR
54	8101833	1	BRKT\GUIDE\HAY\CNVYR

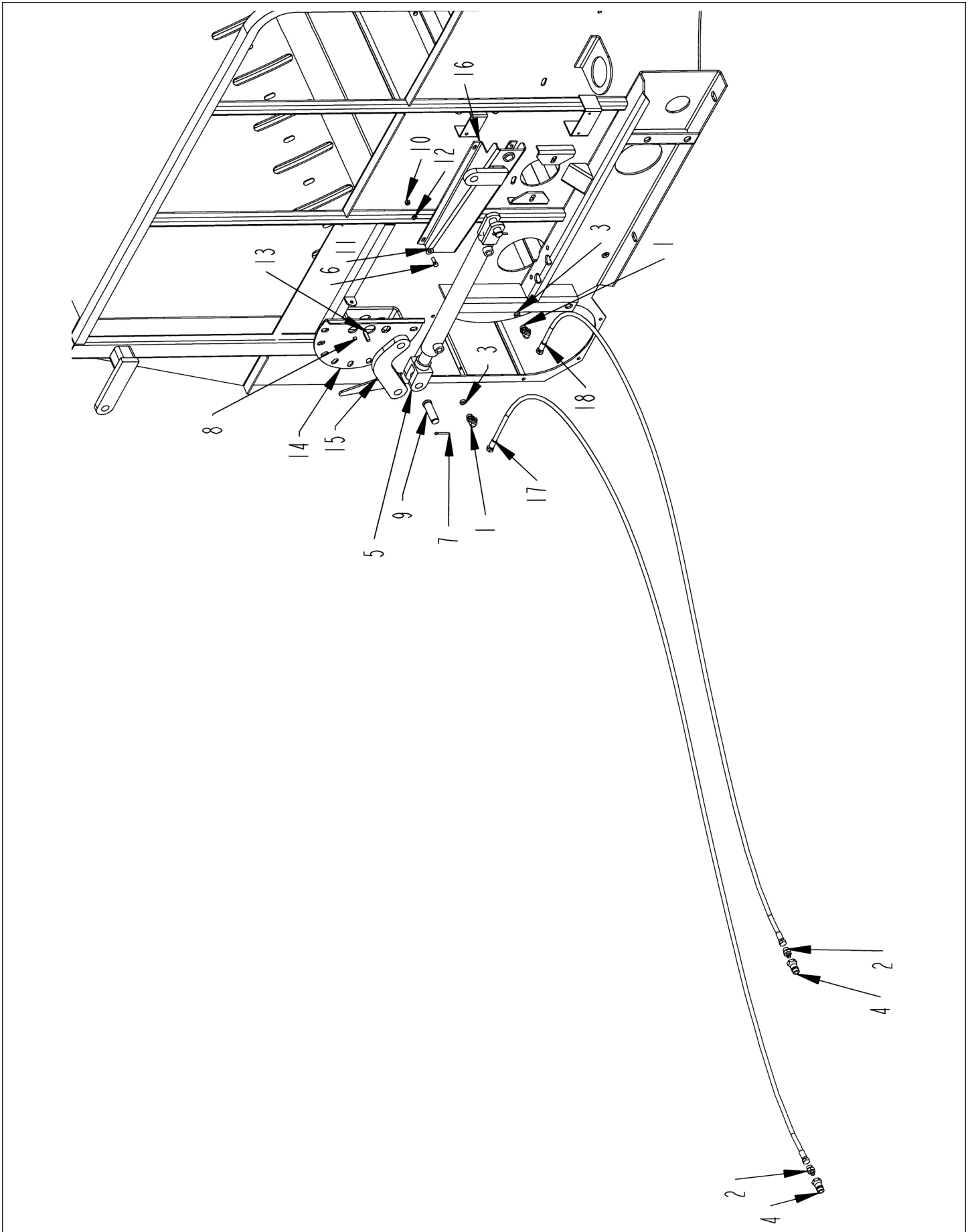
OPTIONAL SHREDDER EXTENSION KIT



OPTIONAL SHREDDER EXTENSION KIT

ITEM	PART NO.	QTY.	DESCRIPTION
1	4800003	9	BOLT\HEX\3/8X1
2	4800514	4	BOLT\HEX\3/8X2-3/4
3	4900002	13	NUT\HEX\3/8\NC
4	5000019	13	WASH\LOCK\3/8
5	8101851	1	EXT\SIDE\16"\2564
6	8101854	1	EXT\FRNT\SHRDR\2564
7	8101870	4	STRAPIEXT\FRONT\2564
	8101871		EXT\KIT\SHRDR\2564

OPTIONAL HYDRAULIC SLUG BAR



OPTIONAL HYDRAULIC SLUG BAR

ITEM	PART NO.	QTY.	DESCRIPTION
1	3800453	2	FTG\3/4MORX9/16MJIC\90
2	3800530	2	FTG\3/4MORX9/16MJIC\ST
3	3800683	2	FTG\3/4MOR\ORFICE\0.0490"
4	3800694	2	FTG\3/4FOR\QUICK;CPLR\MALE
5	4100326	1	CYL\HYD\2X18\1-1/4ROD
6	4800003	4	BOLT\HEX\3/8X1
7	4800120	2	PIN\COT\3/16X1-3/4
8	4800143	2	SCR\SET\ALN\3/8X3/8\NC
9	4800185	2	PIN\CLEVIS\1X3
10	4900002	4	NUT\HEX\3/8\NC
11	5000001	4	WASH\FLAT\3/8
12	5000019	4	WASH\LOCK\3/8
13	6200021	1	KEY\SQ\3/8X1-1/2\HARDEND
14	8101038	1	BRKT\INDEX\SLUGBAR
15	8101880	1	MNT\CYL\HYD\SLGBR\2650
16	8101881	1	MNT\CYL\SHRDR\SLGBR
17	3700609	1	HOSE\HYD\1/4X162\9/16FJIC9/16FJIC
18	3700651	1	HOSE\HYD\1/4X144\9/16FJIC9/16FJIC
	8101883		CNTRL\SLGBR\HYD\KIT\2564

DECALS

1.

⚠ DANGER

FLYING HAY, ROCKS, AND OTHER OBJECTS THROWN BY MACHINE.

STAY CLEAR OF DISCHARGE SIDE OF MACHINE UNLESS OPERATOR HAS STOPPED TRACTOR ENGINE AND MACHINE HAS STOPPED ROTATING.

FAILURE TO FOLLOW THESE INSTRUCTIONS MAY RESULT IN SEVERE PERSONAL INJURY OR DEATH.

⚠ PELIGRO

LA PAJA, LAS PIEDRAS Y OTRAS COSAS TIRADAS POR LA MAQUINA.

NO SE PARE JUNTÓ AL LADO DISPARADOR DE LA MÁQUINA SI EL MOTOR ESTÁ EN MARCHA Y LAS PALETAS ESTÁN EN MOVIMIENTO.

NO SEGUIR ESTAS INSTRUCCIONES PUEDE RESULTAR EN HERIDAS GRAVES E INCLUSO LA MUERTE.

2.

⚠ DANGER

ROTATING FLAILS CAN KILL OR DISMEMBER

KEEP CLEAR OF MACHINE UNTIL POWER TAKE-OFF HAS BEEN DISCONNECTED, TRACTOR ENGINE SHUT OFF AND FLAIL ROTATION STOPPED.

⚠ PELIGRO

LAS PALETAS EN MOVIMIENTO PUEDEN DESMIEMBRAR E INCLUSO MATAR

MANTÉN SU DISTANCIA HASTA QUE SE DESCONECTE LA TONDA DE FUERZA, EL MOTOR PARE Y LAS PALETAS DEJEN DE MOVERSE



3.

4.

⚠ WARNING

FOR YOUR PROTECTION KEEP ALL SHIELDS IN PLACE AND SECURED WHILE MACHINE IS OPERATING. MOVING PARTS WITHIN CAN CAUSE SEVERE PERSONAL INJURY.

⚠ ADVERTENCIA

PARA ASEGURAR SU PROTECCION, MANTENGA TODOS LOS PROTECTORES EN SU LUGAR Y ASEGURADOS MIENTRAS LA MAQUINA ESTE OPERANDO. LAS PIEZAS MOVILES INTERNAS PUEDEN CAUSAR LESIONES PERSONALES GRAVES.

6.

⚠ DANGER

Rotating Driveline Keep Away!

Entanglement can cause serious injuries or death.

Do Not Operate Without -

- * All driveline guards, tractor and equipment shields in place.
- * Drivelines securely attached at both ends.
- * Drivelines guards that turn freely on driveline.

7.

CAUTION:

Keep hands clear

8.

5.

⚠ WARNING

FOR YOUR PROTECTION AND PROTECTION OF OTHERS, PRACTICE THE FOLLOWING SAFETY RULES.

1. BEFORE OPERATING THIS MACHINE, READ THE OPERATOR'S MANUALS SUPPLIED WITH THIS MACHINE AND YOUR TRACTOR.
2. CHECK OPERATOR'S MANUALS TO BE SURE YOUR TRACTOR MEETS THE MINIMUM REQUIREMENTS FOR THIS MACHINE.
3. READ ALL DECALS PLACED ON THIS MACHINE FOR YOUR SAFETY AND CONVENIENCE.
4. NEVER ALLOW RIDERS ON THIS IMPLEMENT OR THE TRACTOR.
5. KEEP OTHERS AWAY FROM THIS MACHINE WHILE IN OPERATION.
6. KEEP ALL SHIELDS IN PLACE WHILE MACHINE IS OPERATING.
7. KEEP HANDS, FEET, LOOSE CLOTHING, ETC. AWAY FROM POWER DRIVEN PARTS.
8. ALWAYS SHUT OFF MACHINE AND ENGINE BEFORE SERVICING, UNLOADING, INSPECTING, OR WORKING NEAR THIS MACHINE FOR ANY REASON. ALWAYS PLACE TRANSMISSION IN PARK OR SET PARK BRAKE AND WAIT FOR ALL MOVEMENT TO STOP BEFORE APPROACHING THIS MACHINE.

⚠ ADVERTENCIA

SIGA LAS REGLAS SIGUIENTES DE SEGURIDAD PARA SU PROTECCION Y LA PROTECCION DE OTROS

1. LEA LOS MANUALES DEL OPERADOR INCLUIDOS CON ESTA MAQUINA Y SU TRACTOR ANTES DE OPERAR ESTA MAQUINA.
2. PARA ASEGURARSE QUE SU TRACTOR CUMPLE CON LOS REQUISITOS MÍNIMOS PARA ESTA MAQUINA, REVISÉ LOS MANUALES DEL OPERADOR.
3. PARA SU SEGURIDAD Y CONVENIENCIA, LEA TODAS LAS CALCOMANAS COLOCADAS EN LA MAQUINA.
4. NUNCA PERMITA PASAJEROS EN ESTA MAQUINA O EN EL TRACTOR.
5. MANTENGA AJUSTADOS A LOS ESPECTADORES MIENTRAS ESTA MAQUINA ESTE OPERANDO.
6. MANTENGA TODOS LOS PROTECTORES EN SU LUGAR MIENTRAS LA MAQUINA ESTE OPERANDO.
7. MANTENGA LAS MANOS, PIES, ROPAS SUELTAS, ETC., ALEJADAS DE LAS PIEZAS PROPULSADAS.
8. SIEMPRE APAGUE LA MAQUINA Y EL MOTOR ANTES DE PRESTAR SERVICIO, DESTRABAR, INSPECCIONAR O TRABAJAR CERCA DE ESTA MAQUINA POR CUALQUIER MOTIVO. ANTES DE ACERCARSE A ESTA MAQUINA COLOQUE SIEMPRE LA TRANSMISION EN ESTACIONAMIENTO O ENGANCHE EL FRENO DE ESTACIONAMIENTO.

9.

LOWER

RAISE

SLUGBAR ADJUSTMENT



10.

FLAIL BOLTS 5/8X4-NF GR8

TIGHTEN 200 FT-LBS

12.

EXTEND LOADER CYLINDER FULLY. REMOVE THE RED PINS, AND PLACE THEM IN THE LOWEST HOLE IN THE BRACKET.

13.

⚠ CAUTION

1. ADJUST TRACTOR DIMBAR SO THAT THE DISTANCE FROM THE END OF THE PTO SHAFT ON THE TRACTOR TO THE CENTER OF THE DIMBAR HITCH PIN IS 16"
2. ADJUST THE HITCH CLEVIS SO THE MACHINE IS PARALLEL WITH THE GROUND WHEN HITCHED TO TRACTOR
3. HITCH MACHINE TO TRACTOR WITH A 1" HITCH PIN AND SECURE TO PREVENT LOSS.
4. ADJUST PTO BEARING BRACKET SO THE SHAFT ON THE MACHINE IS LEVEL WITH THE PTO SHAFT ON THE TRACTOR.

SEE OWNERS MANUAL FOR MORE INFORMATION

⚠ PRECAUCIÓN

1. AJUSTAR LA BARRA DE TIRO DEL TRACTOR DE MODO QUE LA DISTANCIA DEL EXTREMO DEL EJE DE LA TDP DEL TRACTOR AL CENTRO DEL PASADOR DEL ENGANCHE DE LA BARRA DE TIRO MIDA 16 pulg (406,4 mm)
2. AJUSTAR LA HORQUILLA DEL ENGANCHE DE MODO QUE LA MAQUINA QUEDA PARALELA CON EL SUELO CUANDO ESTA ENGANCHADA AL TRACTOR
3. ENGANCHE LA MAQUINA AL TRACTOR CON UN PASADOR DE ENGANCHE DE 1 pulg (25,4 mm) Y 1 SABLLO PARA EVITAR LA DISCONEXION
4. AJUSTAR LA ESCUVA DEL CORMETE DE LA TDP DE MODO QUE EL EJE DE LA MAQUINA QUEDA AL MISMO NIVEL CON EL EJE DE LA TDP DEL TRACTOR.

VER EL MANUAL DEL OPERADOR PARA MAS INFORMACION.

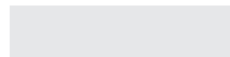
11.



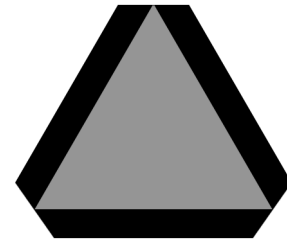
14.



15.



16.



17.

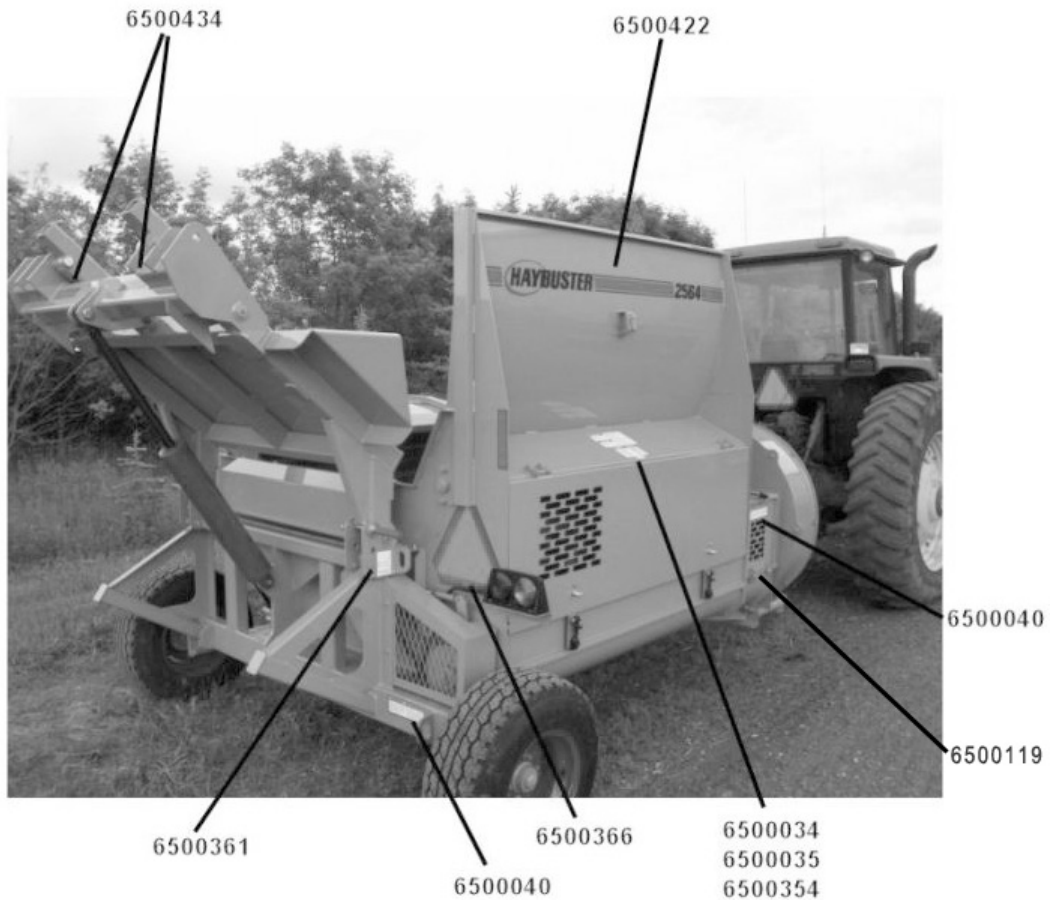
DECALS

ITEM	PART NO.	QTY.	DESCRIPTION
1	6500034	2	DECAL\DNGR\FLYG;HAY\RACK
2	6500035	1	DECAL\DNGR\ROTATNG;FLAILS
3	6500036	1	DECAL\INFO\BALE;ROTATION ARROW
4	6500040	1	DECAL\WARN\SHIELD\PROT
5	6500041	1	DECAL\WARN\PROTECTION
6	6500085	1	DECAL\DNGR\ROTATNG;DR-LNE
7	6500119	1	DECAL\CAUT\KEEP;HNDS;CLER
8	6500253	1	DECAL\INFO\FLUID;LEVEL\INDICATOR
9	6500303	1	DECAL\INFO\SLUGBAR\ADJ
10	6500304	1	DECAL\LOGO\HYBSTR\1-3/4\W\SUNBURST
11	6500322	1	DECAL\CAUTION\ADJ.DRAWBAR
12	6500354	1	DECAL\BOLTS\FLAIL
13	6500361	2	DECAL\PIN\LOADER
14	6500422	2	DECAL\LOGO\2564W\STRIP
15	6500434	5	DECAL\2X9\RED\REFCT
16	6500435	3	DECAL\2X9\AMBER\REFCT
17	6500366	1	DECAL\SMV(THRU S.N. 12101564)
17a	7501353		SIGN\SMV\PLSTC-BCKNG(S.N. 13101664 & UP)

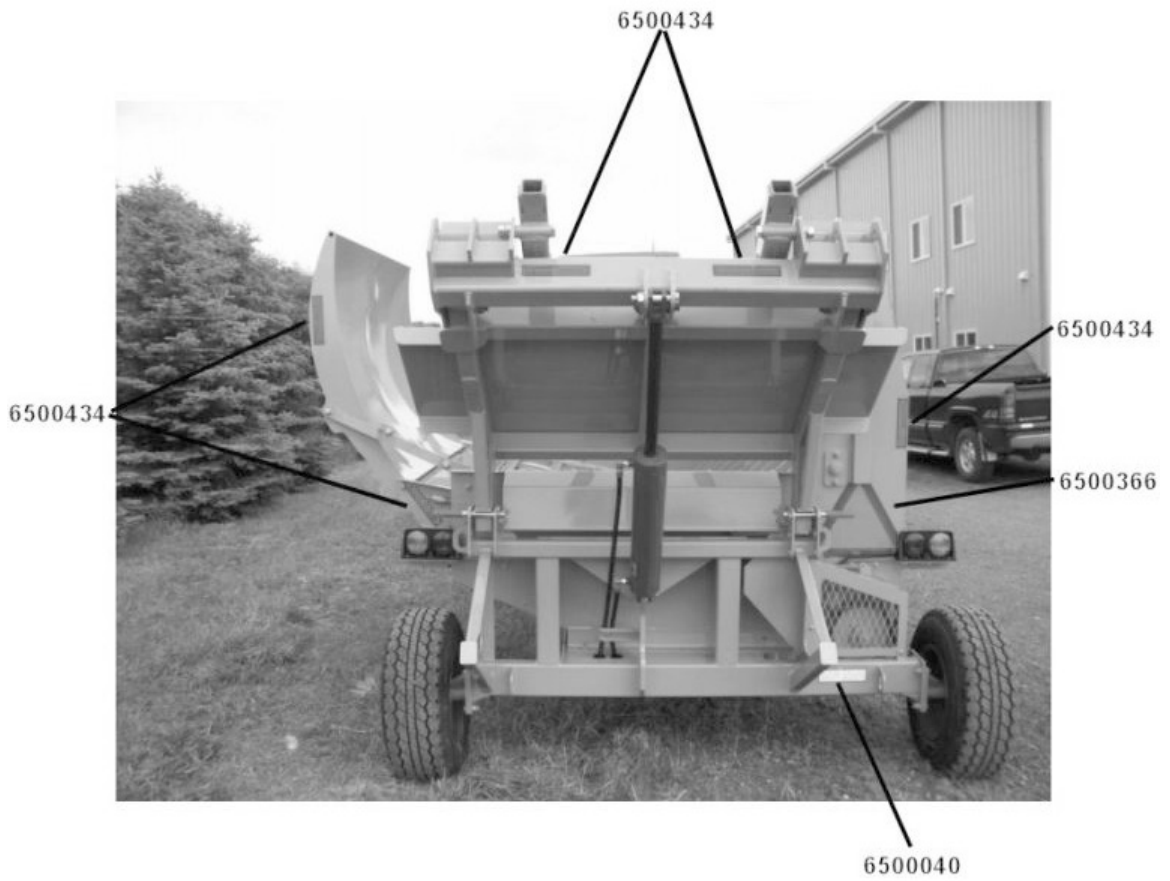
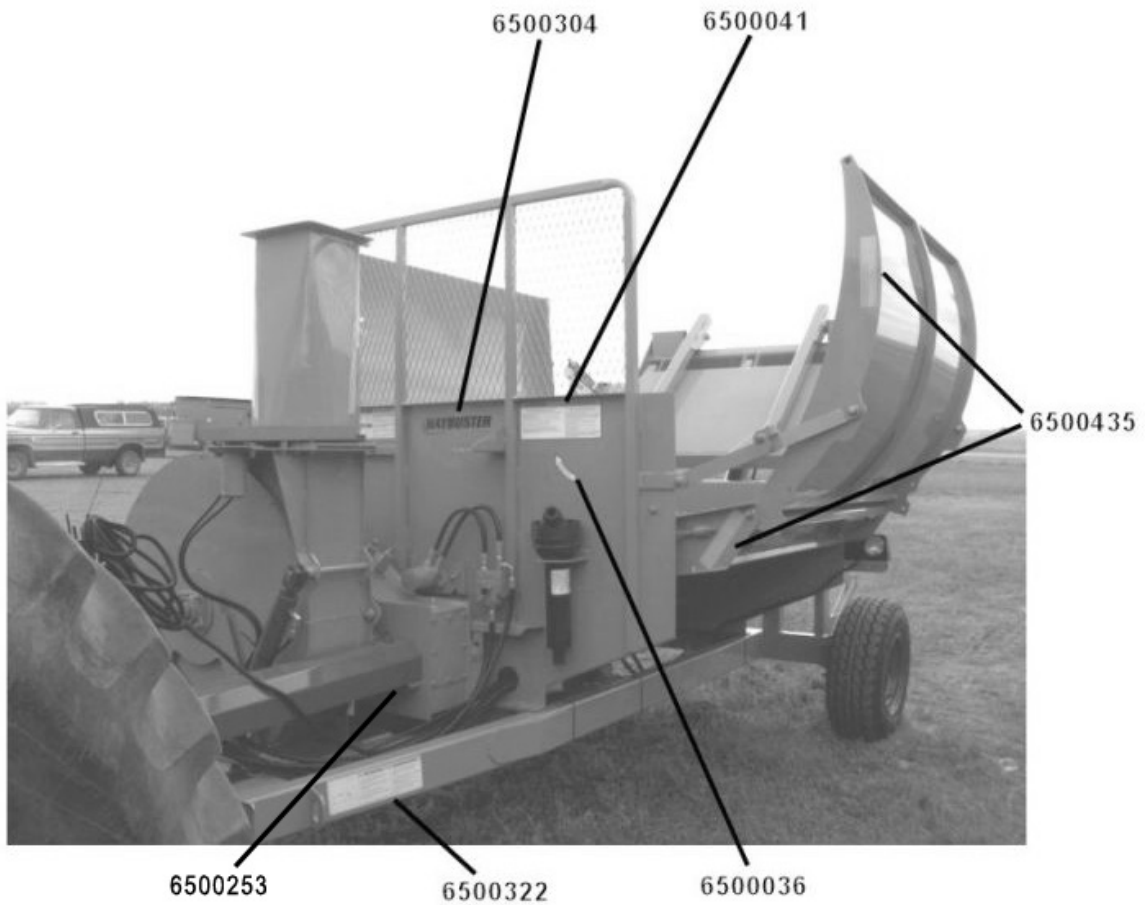
6500403**DECAL\KIT\2564****Not Shown**

7500077	12 oz	Yellow Spray Paint
7500092	Quart	Yellow Paint
7500091	Gallon	Yellow Paint
7500078	12 oz	Red Spray Paint
7500105	Quart	Red Paint
7500104	Gallon	Red Paint

DECAL LOCATIONS



DECAL LOCATIONS





2564 BALEBUSTER Documentation Comment Form

DuraTech Industries welcomes your comments and suggestions regarding the quality and usefulness of this manual. Your comments help us improve the documentation to better meet your needs.

- Did you find any errors?
- Is the information clearly presented?
- Does the manual give you all the information you need to operate the equipment safely and effectively?
- Are the diagrams and illustrations correct?
- Do you need more illustrations?
- What features do you like most about the manual? What features do you like least?

If you find errors or have specific suggestions, please note the topic, chapter and page number.

Send your comments to:

DuraTech Industries International, Inc.
P.O. Box 1940
Jamestown, ND 58402-1940

OR

Contact us through our website: www.duratechindustries.net

Thank you for taking the time to help us improve our documentation.

Please fill out the delivery report on the following pages. The white copy is to be returned to:

DuraTech Industries International Inc.
P.O. Box 1940
Jamestown, ND
58402-1940

The yellow copy is the dealer copy; the pink copy is to be retained by the customer.