

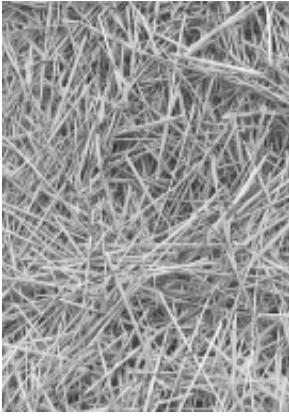


107 DRILL™

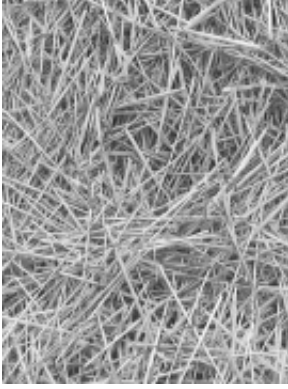
SERIAL NUMBER UP TO 4426

Operating Instructions and Parts Reference





HAYBUSTER[®]





107 DRILL™

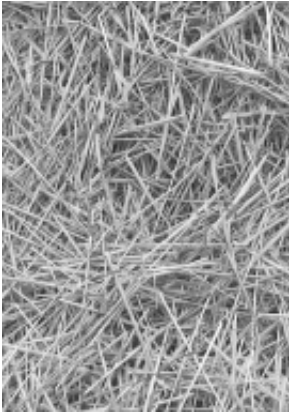
SERIAL NUMBER UP TO 4426

Operating Instructions and Parts Reference

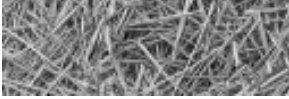
DuraTech Industries International Inc. (DuraTech Industries) has made every effort to assure that this manual completely and accurately describes the operation and maintenance of the 107 DRILL™ as of the date of publication. DuraTech Industries reserves the right to make updates to the machine from time to time. Even in the event of such updates, you should still find this manual to be appropriate for the safe operation and maintenance of your unit.

This manual, as well as materials provided by component suppliers to DuraTech Industries are all considered to be part of the information package. Every operator is required to read and understand these manuals, and they should be located within easy access for periodic review.

 **DURATECH** and  are registered trademarks of Duratech Industries International, Inc. 107 DRILL is a trademark of Duratech Industries International, Inc.



HAYBUSTER®



Foreword

All personnel must read and understand before operating unit

- Foreword and Section 1, important safety information.
- Section 2, "Dealer Preparation," to verify that the machine has been prepared for use.
- Section 3, "Introduction," which explain normal operation of the machine.
- Section 4.1, "Operating Instructions" Pre-Operation Inspection Check List.

Appropriate use of the unit

The 107 Grain Drill is designed to seed No-Till, Minimum Till, or conventionally tilled fields. The two compartment hopper offers the flexibility of seeding with fertilizer, seeding alone, or planting two different seeds.

Operator protection

As with all machinery, care needs to be taken by the operator in order to insure the safety of the operator and those in the surrounding area.



WARNING: Operators and those observing the operation of the 107 GRAIN DRILL are required to wear head, eye, and ear protection. No loose clothing is allowed.

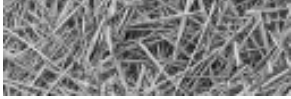


TABLE OF CONTENTS

Part 1: Operating Instructions 2

 Introduction 2

 Purpose 2

Section 1: Safety 3

 1.1 SAFETY-ALERT SYMBOLS 3

 1.2 OPERATOR - PERSONAL EQUIPMENT 5

 1.3 MACHINE SAFETY LABELS 6

 1.4 SHIELDING 8

 1.5 PERSONAL EQUIPMENT 8

 1.6 SAFETY REVIEW 8

Section 2: Dealer Preparation 12

 2.1 GAUGE WHEEL ATTACHMENT 12

 2.2 FALSE BOTTOM ATTACHMENT 14

 2.3 DRILL LEGUME BOX ATTACHMENT 16

 2.4 LEGUME HOPPER SHIPPING KIT (OPTIONAL) 19

Section 3: Introduction 20

 3.1 ORDERING PARTS 20

 3.2 SERIAL NUMBER DECAL 21

 3.3 ABOUT YOUR 107 GRAIN DRILL 21

Section 4: Operating Instructions 22

 4.1 OPERATING INSTRUCTIONS 22

 4.2 GRAIN DRILL SETUP 23

 4.3 PRESSURE SPRING ADJUSTMENT 23

 4.4 PRESS WHEEL ADJUSTMENT 24

 4.5 HAYBUSTER 107 DRILL OPENER 25

 4.6 FEED WHEEL SPACE ADJUSTMENT 26

 4.7 100 DRILL CLEANOUT SLIDES 27

 4.8 CALIBRATION POINTER ADJUSTMENT 28

 4.9 SETTING AND CHECKING FEED RATE 29

 4.10 CHECKING FEED RATE 30

 4.11 DRILLING WITH THE GRAIN DRILL 39

 4.12 SUGGESTIONS 41

 4.13 REAR WHEEL SWIVEL AND ADJUSTMENT 41

 4.14 TRANSPORTING THE GRAIN DRILL 41

 4.15 PREPARING FOR STORAGE 43

 4.16 REMOVING FROM STORAGE 43

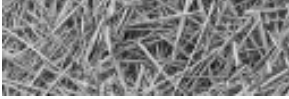


TABLE OF CONTENTS

Section 5: Lubrication 44

APPENDIX A: WARRANTY 47

APPENDIX B: SPECIFICATIONS 48

Part 2: Parts Reference 51

 MAIN FRAME ASSEMBLY SERIAL NO. 400 TO 1550 50

 MAIN FRAME ASSEMBLY SERIAL NO. 400 TO 1550 51

 MAIN FRAME ASSEMBLY SERIAL NO. 1551 THRU 52

 MAIN FRAME ASSEMBLY SERIAL NO. 1551 THRU 53

 MAIN FRAME ASSEMBLY SERIAL NO. 1551 THRU 54

 DRIVE ASSEMBLY SERIAL NO. 101 TO 200 56

 DRIVE ASSEMBLY SERIAL NO. 201 TO 552 58

 DRIVE ASSEMBLY SERIAL NO. 553 UP TO 3721 60

 DRIVE ASSEMBLY SERIAL NO. 3722 & UP 62

 TANK END DRIVE SERIAL NO. 553 TO 1550 64

 TANK END DRIVE SERIAL NO. 1551 THRU 66

 RUN ASSEMBLY SERIAL NO. 101 THRU 400 68

 RUN ASSEMBLY SERIAL NO. 401 TO NO. 552 70

 RUN ASSEMBLY SERIAL NO. 553 TO NO. 2672 72

 RUN ASSEMBLY SERIAL NO. 2673 UP 74

 LOW CLEARANCE RUN ASSEMBLY 76

 LOW CLEARANCE RUN ASSEMBLY SERIAL NO. 2673 & UP 78

 TANK ASSEMBLY SERIAL NO. 101 TO NO. 200 80

 TANK ASSEMBLY SERIAL NO. 201 TO NO. 552 82

 TANK ASSEMBLY SERIAL NO. 553 TO NO. 899 84

 TANK ASSEMBLY SERIAL NO. 900 TO NO. 1550 86

 TANK ASSEMBLY SERIAL NO. 1551 TO NO. 2671 88

 TANK ASSEMBLY SERIAL NO. 2672 & UP 90

 SEED & FERTILIZER SETTING ASSEMBLY

 SERIAL NO. 101 TO NO. 200 92

 SEED & FERTILIZER SETTING ASSEMBLY

 SERIAL NO.201 TO NO. 900 AND UP 93

 SEED & FERTILIZER SETTING ASSEMBLY

 SERIAL NO. 900 AND UP 94

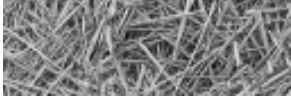


TABLE OF CONTENTS

SCRAPER ASSEMBLY 95

COULTER & DISK ASSEMBLY SERIAL NO. 553 UP 96

COULTER & DISK ASSEMBLY SERIAL NO. 2672 TO 3821 97

COULTER & DISK ASSEMBLY SERIAL NO. 3822 & UP 97

PRESS WHEEL ASSEMBLY SERIAL NO. 101 & UP 98

PRESS WHEEL ASSEMBLY 99

PRESS WHEEL ASSEMBLY SERIAL NO. 101 & UP 100

DEPTH BAND INSTALLATION 101

FRONT STABILIZER 103

REAR STABILIZER 104

TOW HITCH 106

BALLAST BRACKET 107

HITCH LIFT 108

DRILL SINGLE HITCH 110

2 DRILL HITCH SN UP TO 4121 111

2 DRILL HITCH SN 4122 & UP 112

3-4 DRILL HITCH 114

SINGLE DRILL & 2 DRILL HYDRAULICS 115

3 DRILL HYDRAULICS 116

4 DRILL HYDRAULICS 117

DECALS 118

LEGUME BOX 122

SEED INDEX ASSEMBLY LEGUME BOX 124

CUP ASSEMBLY LEGUME BOX 125

LEGUME DROP TUBE ASSEMBLY 126

MOUNTING BRACKET 128

ACRE COUNTER 129

FALSE BOTTOM 107 DRILL SERIAL NO. 2672 UP 130

NATIVE GRASS KIT - ADDITIONAL AGITATOR SHAFTS 132

NATIVE GRASS KIT - TANK, EXISTING SHAFT MODIFICATIONS 134

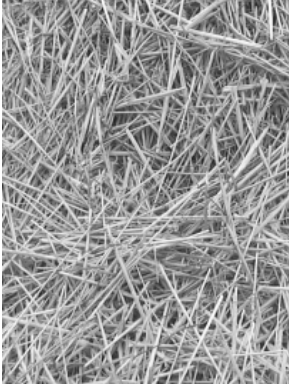
NATIVE GRASS KIT - TANK END DRIVE ASSEMBLY 136

NATIVE GRASS KIT - SEED AND FERTILIZER SETTING ASSEMBLY .. 138

NATIVE GRASS KIT - DROP TUBE AND HOSE 139

GAUGE WHEELS 140

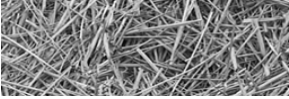
107 DRILL Documentation Comment Form 143



*107 DRILL*TM

SERIAL NUMBER UP TO 4426

PART 1: Operating Instructions



Introduction

The 107 Grain Drill is designed to seed No-Till, Minimum Till, or conventionally tilled fields. Two 30 gallon tanks are available for added ballast to penetrate the tough no-till conditions.

The two compartment hopper offers the flexibility of seeding with fertilizer, seeding alone, or planting two different seeds. The metering system for each hopper is infinitely adjustable.

Field hitches are available for one or multiples of two, three, and four drills. A tow hitch is available for towing two or more drills in transport.

Purpose

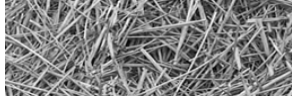
The purpose of this owner's manual is to explain maintenance requirements and routine adjustments for the most efficient operation of your 107Grain Drill. There is also a trouble shooting section that may help in case of problems in the field. Any information not covered in this manual may be obtained from your dealer.



Special Note: When reference is made as to front, rear, right hand or left hand of this machine, the reference is always made from standing at the rear end of the machine and looking towards the hitch. Always use serial number and model number when referring to parts or problems. Please obtain your serial number and write it below for your future reference.

MODEL: 107 DRILL

SERIAL NO. _____



Section 1: Safety

The safety of the operator is of great importance to DuraTech Industries/Haybuster. We have provided decals, shield and other safety features to aid you in using your machine safely. In addition, we ask you to be a careful operator who will properly use and service your Haybuster equipment.



WARNING: FAILURE TO COMPLY WITH SAFETY INSTRUCTIONS THAT FOLLOW WITHIN THIS MANUAL COULD RESULT IN SEVERE PERSONAL INJURY OR DEATH. BEFORE ATTEMPTING TO OPERATE THIS MACHINE, CAREFULLY READ ALL INSTRUCTIONS CONTAINED WITHIN THIS MANUAL. ALSO READ THE INSTRUCTION MANUAL PROVIDED WITH YOUR TRACTOR.

THIS MACHINE IS NOT TO BE USED FOR ANY PURPOSE OTHER THAN THOSE EXPLAINED IN THE OPERATOR'S MANUAL, ADVERTISING LITERATURE OR OTHER DURATECH INDUSTRIES WRITTEN MATERIAL PERTAINING TO THE 107 GRAIN DRILL.

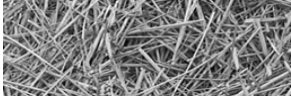
1.1 Safety-alert symbols

Decals are illustrated in **Part 2: Parts Reference**.

The safety decals located on your machine contain important and useful information that will help you operate your equipment safely.

To assure that all decals remain in place and in good condition, follow the instructions below:

- Keep decals clean. Use soap and water - not mineral spirits, adhesive cleaners and other similar cleaners that will damage the decal.
- Replace all damaged or missing decals. When attaching decals, surface temperature of the machine must be at least 40° F (5° C). The surface must be also be clean and dry.
- When replacing a machine component to which a decal is attached, be sure to also replace the decal.
- Replacement decals can be purchased from your Haybuster dealer.



DuraTech Industries uses industry accepted **ANSI** standards in labeling its products for safety and operational characteristics.



Safety-Alert Symbol

Read and recognize safety information. Be alert to the potential for personal injury when you see this safety-alert symbol.

DANGER: Indicates an imminently hazardous situation that, if not avoided, will result in death or serious injury. This signal word is to be limited to the most extreme situations, typically for machine components that, for functional purposes, cannot be guarded.

WARNING: Indicates a potentially hazardous situation that, if not avoided, could result in death or serious injury, and includes hazards that are exposed when guards are removed. It may also be used to alert against unsafe practices.

CAUTION: Indicates a potentially hazardous situation that, if not avoided, may result in minor or moderate injury. It may also be used to alert against unsafe practices.

This manual uses the symbols to the right to denote important safety instructions and information.

The **DANGER**, **WARNING** and **CAUTION** symbols are used to denote conditions as stated in the text above. Furthermore, the text dealing with these situations is surrounded by a box with a white background, will begin with **DANGER**, **WARNING**, or **CAUTION**.

The **INFORMATION** symbol is used to denote important information or notes in regards to maintenance and use of the machine. The text for this information is surrounded by a box with a light grey background, and will begin with either **Important** or **Note**.



DANGER:
Signal word - White Lettering/Red Background
Safety Alert Symbol - White Triangle/Red Exclamation Point

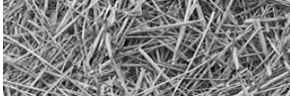


WARNING:
Signal word - Black Lettering/Orange Background
Safety Alert Symbol - Black Triangle/Orange Exclamation Point



CAUTION:
Signal word - Black Lettering/Yellow Background
Safety Alert Symbol - Black Triangle/Yellow Exclamation Point





1.2 Operator - personal equipment

THE OPERATOR

Physical Condition

You must be in good physical condition and mental health and not under the influence of any substance (drugs, alcohol) which might impair vision, dexterity or judgment.

Do not operate a **107 DRILL** when you are fatigued. Be alert - If you get tired while operating your **107 DRILL**, take a break. Fatigue may result in loss of control. Working with any farm equipment can be strenuous. If you have any condition that might be aggravated by strenuous work, check with your doctor before operating

Proper Clothing



Clothing must be sturdy and snug-fitting, but allow complete freedom of movement. Avoid loosefitting jackets, scarfs, neckties, jewelry, flared or cuffed pants, unconfined long hair or anything that could become entangled with the machine.



Protect your hands with gloves when handling flail and sections. Heavyduty, nonslip gloves improve your grip and protect your hands.



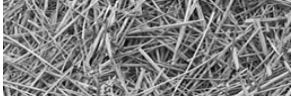
Good footing is most important. Wear sturdy boots with nonslip soles. Steel-toed safety boots are recommended.



To reduce the risk of injury to your eyes never operate a **107 DRILL** unless wearing goggles or properly fitted safety glasses with adequate top and side protection.



Tractor noise may damage your hearing. Always wear sound barriers (ear plugs or ear muffs) to protect your hearing. Continual and regular users should have their hearing checked regularly.



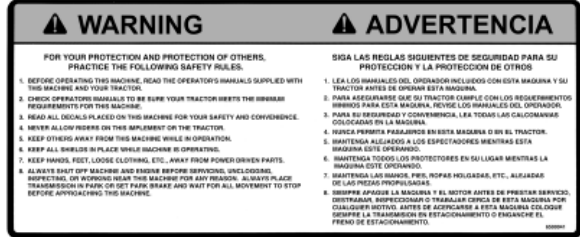
1.3 Machine safety labels

The safety decals located on your machine contain important information that will help you operate your equipment. Become familiar with the decals and their locations.

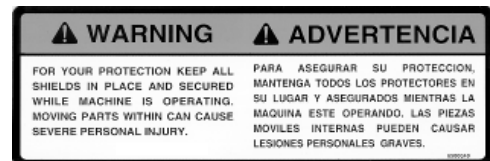


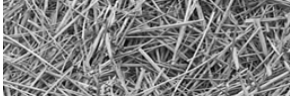
WARNING: FOR YOUR PROTECTION AND PROTECTION OF OTHERS, PRACTICE THE FOLLOWING SAFETY RULES.

1. BEFORE OPERATING THIS MACHINE, READ THE OPERATOR'S MANUALS SUPPLIED WITH THIS MACHINE AND YOUR TRACTOR.
2. CHECK OPERATORS MANUALS TO BE SURE YOUR TRACTOR MEETS THE MINIMUM REQUIREMENTS FOR THIS MACHINE.
3. READ ALL DECALS PLACED ON THIS MACHINE FOR YOUR SAFETY AND CONVENIENCE.
4. NEVER ALLOW RIDERS ON THIS IMPLEMENT OR THE TRACTOR.
5. KEEP OTHERS AWAY FROM THIS MACHINE WHILE IN OPERATION.
6. KEEP ALL SHIELDS IN PLACE WHILE MACHINE IS OPERATING.
7. KEEP HANDS, FEET, LOOSE CLOTHING, ETC., AWAY FROM POWER DRIVEN PARTS.
8. ALWAYS SHUT OFF MACHINE AND ENGINE BEFORE SERVICING, UNCLOGGING, INSPECTING, OR WORKING NEAR THIS MACHINE FOR ANY REASON. ALWAYS PLACE TRANSMISSION IN PARK OR SET PARK BRAKE AND WAIT FOR ALL MOVEMENT TO STOP BEFORE APPROACHING THIS MACHINE.



WARNING: FOR YOUR PROTECTION KEEP ALL SHIELDS IN PLACE AND SECURED WHILE MACHINE IS OPERATING MOVING PARTS WITHIN CAN CAUSE SEVERE PERSONAL INJURY.





	<p>WARNING: CHEMICALS MAY CAUSE EYE, SKIN AND BREATHING PROBLEMS. WEAR FACE MASK, GLOVES AND GOGGLES . READ AND FOLLOW SAFETY INSTRUCTIONS ON THE CHEMICAL SUPPLIERS LABEL.</p>
--	--

	WARNING
	<p>CHEMICALS MAY CAUSE EYE, SKIN AND BREATHING PROBLEMS. WEAR FACE MASK, GLOVES AND GOGGLES. READ AND FOLLOW SAFETY INSTRUCTIONS ON THE CHEMICAL SUPPLIERS LABEL.</p> <p style="text-align: right; font-size: small;">E500132</p>

	<p>WARNING: NO RIDERS. SERIOUS PERSONAL INJURY COULD RESULT FROM RIDING ON STEP.</p>
--	---

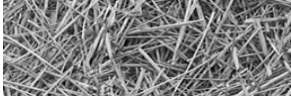
	WARNING
	<p>NO RIDERS SERIOUS PERSONAL INJURY COULD RESULT FROM RIDING ON STEP</p>
	ADVERTENCIA
	<p>NO MONTE SERIAS HERIDAS PERSONAL PUEDEN RESULTAR MONTANDO EL ESCALON</p>

	<p>WARNING: DISC BLADES ARE <i>EXTREMELY</i> SHARP! WEAR HEAVY GLOVES WHEN SERVICING.</p>
--	--

	WARNING
	<p>Disc blades are <i>extremely</i> sharp! Wear heavy gloves when servicing.</p>
	ADVERTENCIA
	<p>¡Las cuchillas de disco están extremadamente afiladas! Al prestar servicio use guantes gruesos.</p>

	<p>CAUTION: KEEP WHEEL BOLTS TIGHT.</p>
--	--

<p>KEEP WHEEL BOLTS TIGHT</p>
--



1.4 Shielding

Shields are installed for your protection. Keep them in place, and replace damaged shields.

1.5 Personal equipment

Operators of this machine are encouraged to wear head, eye, and ear protection. Loose clothing is discouraged.

1.6 Safety review

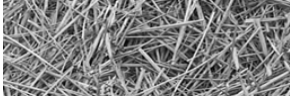
BEFORE OPERATING

- Read and follow all instructions contained in:
 - A. This 107 DRILL Operator's Manual.
 - B. Tractor operator's manual.
 - C. Decals placed on the 107 Drill and Tractor.



NOTE: Additional copies of the above mentioned materials can be obtained from your dealer.

- Be sure all safety shields and covers are securely in place when machine is running.
- Read all warning and instructional decals placed on the machine for your safety and convenience.
- Allow only responsible, properly instructed individuals to operate machine. Carefully supervise inexperienced operators.
- Make no modifications to this equipment unless specifically requested or recommended by DuraTech Industries.
- Tighten or replace any loose or cracked bolts, chains, hoses or connections.
- The towing vehicle must be of equal or greater weight than the grain drill for adequate braking capacity.



DURING OPERATION

- Exercise extreme caution with operating the drill on steep slopes or grades.
- Be sure all spectators are clear of the area where the drill is in operation or raised and lowered.
- Be sure the tractor operator is the only person riding the tractor. Allow no one to ride the drill at any time.
- Remember, loose clothing, necklaces and similar items are more easily caught in moving parts. Avoid the use of these items if possible and keep long hair confined.
- Never work under the drill when the drill is lifted up unless the safety stop bar is in position.
- Watch out for and avoid any object that might interfere with the proper operation of the machine.

DURING SERVICE & MAINTENANCE



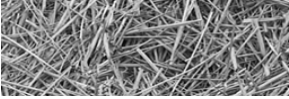
CAUTION: Before performing any maintenance or adjustments make sure machine is NOT running. If for any reason arc welding is to be done, always ground rotor to frame of machine to prevent arcing on bearings.

- Before working on or near drill for any reason including servicing, lubricating, cleaning, inspecting or refilling, or if working under drill or detaching from tractor, install safety stop bar (next to hydraulic cylinder).
- When replacing any part on your drill, be sure to use only DuraTech Industries authorized parts.
- Relieve all pressure in the hydraulic system before disconnecting the lines or performing other work on the system. Make sure all connections are tight and the hoses and lines are in good condition before applying pressure to the system.



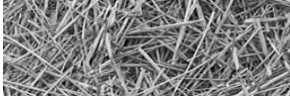
CAUTION: Hydraulic fluid escaping under pressure can be invisible and have enough force to penetrate the skin. When searching for a suspected leak, use a piece of wood or cardboard rather than your hands. If injured, seek medical attention immediately to prevent serious infection or reaction.

- Be careful when using a hoist or other lifting device. Use only devices that have adequate lifting capacity and be sure the chain or cable is securely attached.



WHEN TRANSPORTING ON PUBLIC ROADS

- Use good judgment and drive carefully, especially over rough or uneven roads.
- Be sure tractor brakes are properly adjusted and foot pedals locked together.
- Check your state laws regarding the use of lights, slow moving vehicle sign, safety chain and other possible requirements.
- Do not tow drills at speeds over 20 mph. It is recommended that drills be empty of seed or fertilizer when transporting.



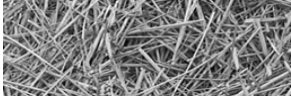
IMPORTANT WINCH SAFETY INFORMATION

- The winch is built for multipurpose hauling and lifting operations. It is not to be used as a hoist for lifting, supporting or transporting people, or for loads over areas where people could be present.
- Respect the winch. High forces are created when using a winch, creating potential safety hazards. It should be operated and maintained in accordance with instructions. Never allow children or anyone who is not familiar with the operation of the winch to use it. A winch accident could result in personal injury.
- Check winch for proper operation on each use. Do not use if damaged. Seek immediate repairs.
- Never exceed rated capacity. Excess load may cause premature failure and could result in serious personal injury.
- Never apply load on winch with cable fully extended. Keep at least three full turns of cable on the reel.
- Secure load properly. When winching operation is complete, do not depend on winch to support load.
- Operate with hand power only. This winch should not be operated with a motor of any kind. If the winch cannot be cranked easily with one hand, it is probably overloaded.



FAILURE TO COMPLY WITH ANY OF THE ABOVE SAFETY INSTRUCTIONS OR THOSE THAT FOLLOW WITHIN THIS MANUAL MAY RESULT IN SEVERE INJURY OR DEATH.

THIS DRILL IS NOT TO BE USED FOR ANY PURPOSE OTHER THAN THAT FOR WHICH IT IS INTENDED AS EXPLAINED IN THE OPERATOR'S MANUAL, ADVERTISING MATERIALS AND OTHER PERTINENT WRITTEN MATERIAL PREPARED BY DURATECH INDUSTRIES.



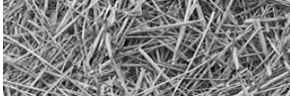
Section 2: Dealer Preparation

2.1 Gauge Wheel Attachment

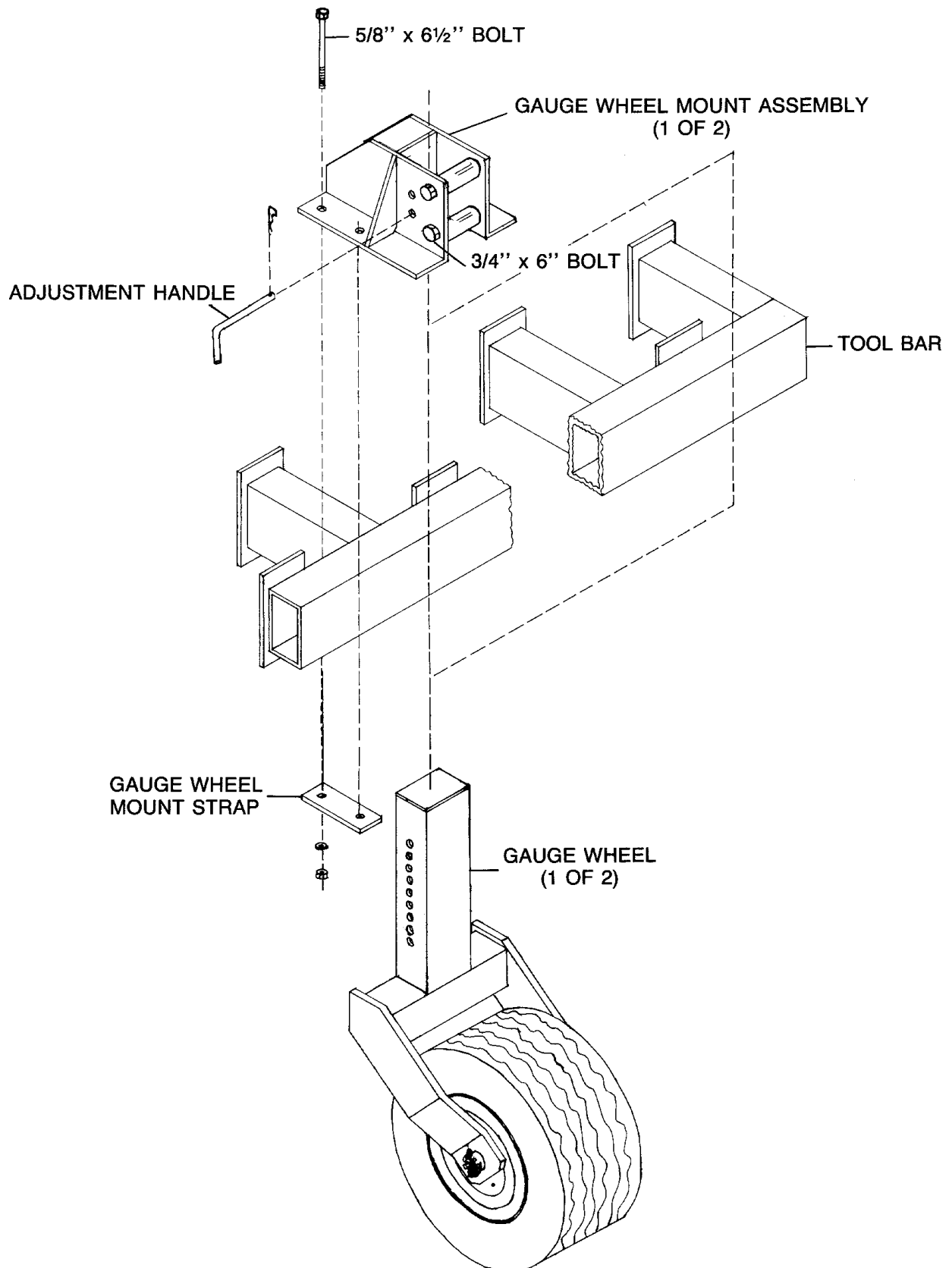
The heavy duty gauge wheels mount on the tool bar in front of the drill. The gauge wheels are adjustable to maintain a uniform planting depth when on side hills.

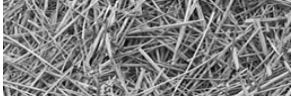
INSTALLATION

- Step 1:** Place the gauge wheel mount assembly in front of the second run assembly from either tool bar end. See the accompanying illustration.
- Step 2:** Mount the gauge wheel mount assembly to the tool bar by using two gauge wheel mount straps and four 5/8" x 6-1/2" hex bolts, lock washer and nuts provided. See accompanying illustration.
- Step 3:** Repeat Step 1 and Step 2 for the gauge wheel on the other side of the tool bar.
- Step 4:** Lift the tool bar using the drill's hydraulics and insert both gauge wheels into the bottom of the gauge wheel mount assemblies. See the accompanying illustration.
- Step 5:** If conditions prevent Step 4 from being done, the gauge wheels can be inserted into the front of the gauge wheel mount assemblies. To do this, remove all four bolt sleeves (two per gauge wheel mount assembly) by unbolting the four 3/4" x 6" hex bolts, lock washers and nuts and push the gauge wheels into the mount assemblies. Bolt the bolt sleeves on to the gauge wheel mount assemblies again.
- Step 6:** Adjust the gauge wheels to the desired position by inserting the adjustment handle through the proper gauge wheel adjustment with the hair pin. This adjustment determines the gauge wheel height that maintains the uniform planting depth on side hills. See the accompanying illustration.



Gauge Wheel (Option) Installation





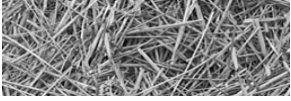
2.2 False Bottom Attachment

The false bottom attachment allows the use of both tanks, front and back, to be used in combination for seed. This will enable the seed tanks to last longer before refilling during seeding operation.

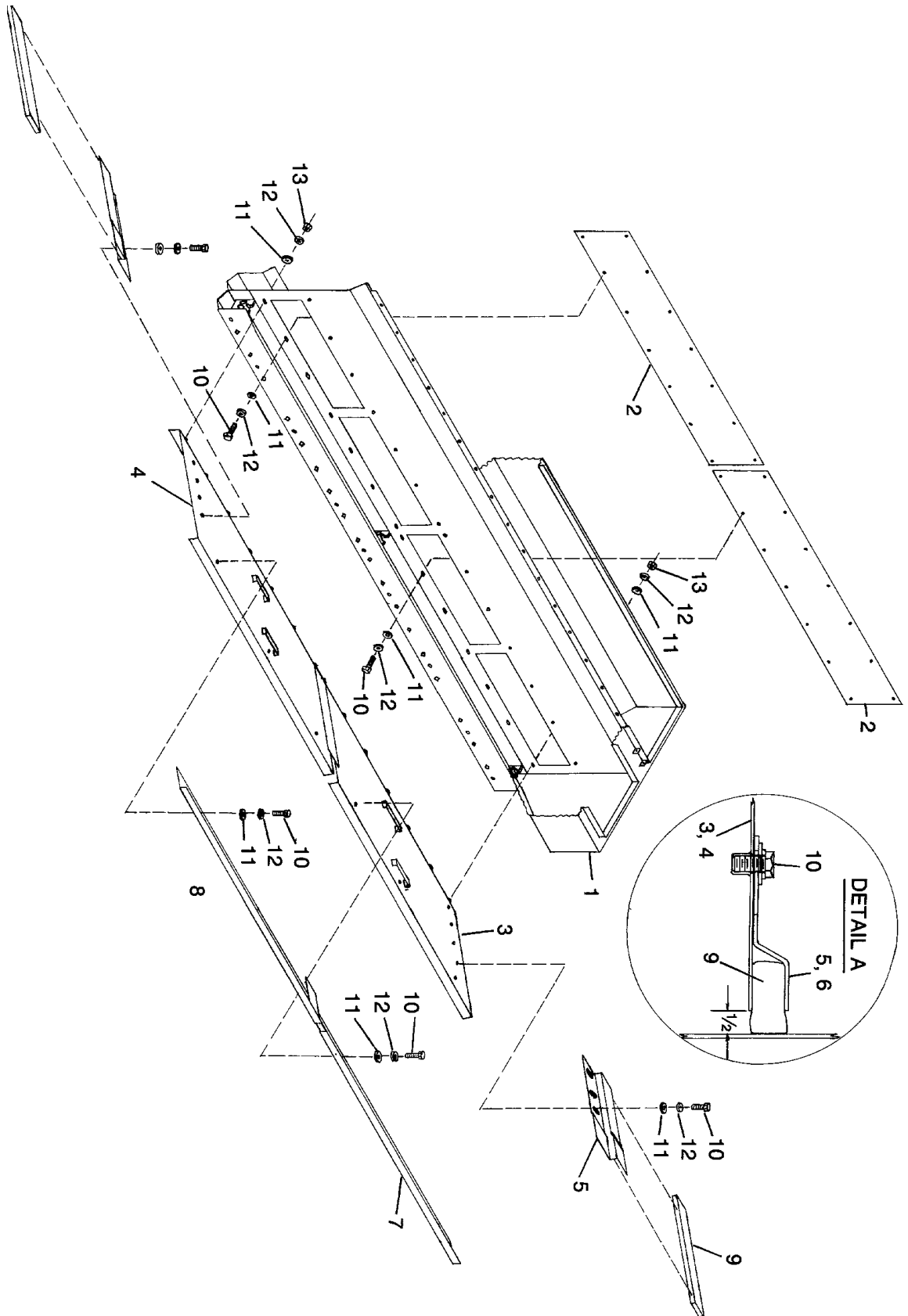
INSTALLATION

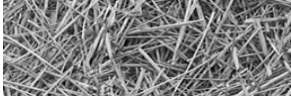
- Step 1:** Remove the divider cover (Item #2) from the grain tank by unbolting and setting the cover aside.
- Step 2:** Insert the false bottoms right hand (RH) sheet (Item #3) by holding its handles and pushing the studs into the existing slots found just below the 6" x 24" openings in the center divider as shown in the accompanying illustration.
- Step 3:** Insert the false bottom LH sheet (Item #4) in the same manner as described in Step 2.
- Step 4:** Place the side seal retainer RH (Item #5) on the false bottom RH with the rubber seal (Item #9) fitting in the crimp space provided between the two parts (See Detail A).
- Step 5:** Place the side seal retainer LH (Item #6) on the false bottom LH with the rubber seal (Item #9) as in Step 4.
- Step 6:** Place the upper seals (Items #7 and #8) on their respective false bottoms as shown in the accompanying illustration.
- Step 7:** Position the false bottoms by moving them to the left or right so that 1/2" exists between the false bottoms and the seed tank wall (See Detail A).
- Step 8:** Place all flat washer, lock washers and nuts (Items #11, #12 and #13) in their respective locations as shown in the accompanying illustration.
- Step 9:** Tighten only the false bottom nuts to secure the false bottoms to the center divider.
- Step 10:** Slide the upper seals and the side seal retainers firmly against their respective walls and tighten all the nuts.

The preceding steps are to be followed in the opposite fashion starting with the last step and proceeding to Step 1 to bring the drill to its original manner.



False Bottom (Option) Installation



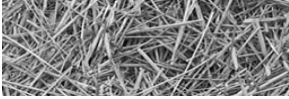


2.3 Drill Legume Box Attachment

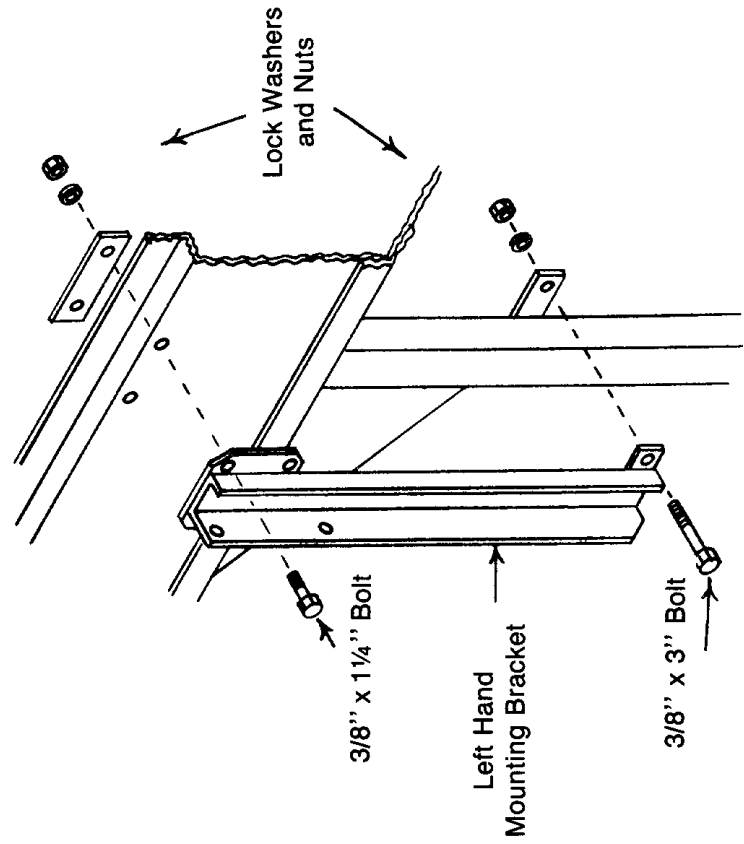
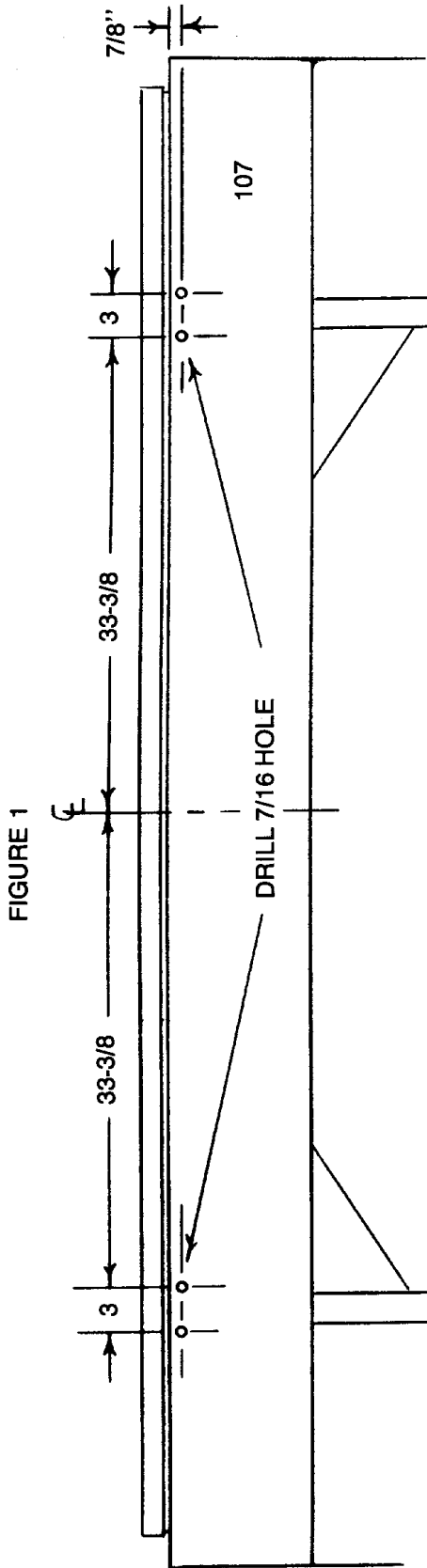
The legume box attachment features fluted-feed cups which are capable of accurately metering small seeds even at very low rates. The hopper will hold up to 150 lbs. of seed.

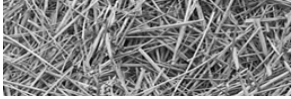
INSTALLATION

- Step 1:** Drill four 7/16" diameter holes in the front (grain) box as shown in Figure 1. Measure these holes carefully and use a good center punch to mark locations before drilling. Loosely bolt the mounting bracket to the grain box observing left hand and right hand parts.
- Step 2:** Remove the convoluted grain hoses and unbolt the cup assemblies from the grain tank. Replace with modified cup assemblies provided with the legume box kit. Reattach the convoluted grain hoses to the cups.
- Step 3:** Loosen chains, sprockets and bearings and move countershaft on grain tank. Reinstall existing bearings, sprockets and chains and install 15 tooth sprocket as shown in Figure 2.
- Step 4:** Bolt legume box to grain tank using the four 3/8" x 1" bolts provided. The mounts welded to the rear of the legume box should go between the mounting brackets installed in Step 1. Tighten all mounting bolts securely.
- Step 5:** Bolt the two bearing standards to the brackets on the legume box using six 5/16 x 3/4" carriage bolts, flat washers, lock washers and nuts. Align the bearing standards before tightening bolts. Loosely bolt the bearings to the outside of the bearing standards using the four 5/16" x 3/4" carriage bolts. Install the 29" shaft with the 17 tooth sprocket BETWEEN the bearings as shown in Figure 2. Install two wooden block chain tightener using 3/8" x 2-1/2" bolts, two flat washers, lock washer and nuts. Tighten the drive chains.
- Step 6:** Cut 5/8" I.D. clear plastic hose to 22" lengths. Eighteen are required. Install hoses on the grain cups first and then on legume box cups. Dipping the ends in a liquid soap solution (one part soap to one part water) will ease installation of the hoses.



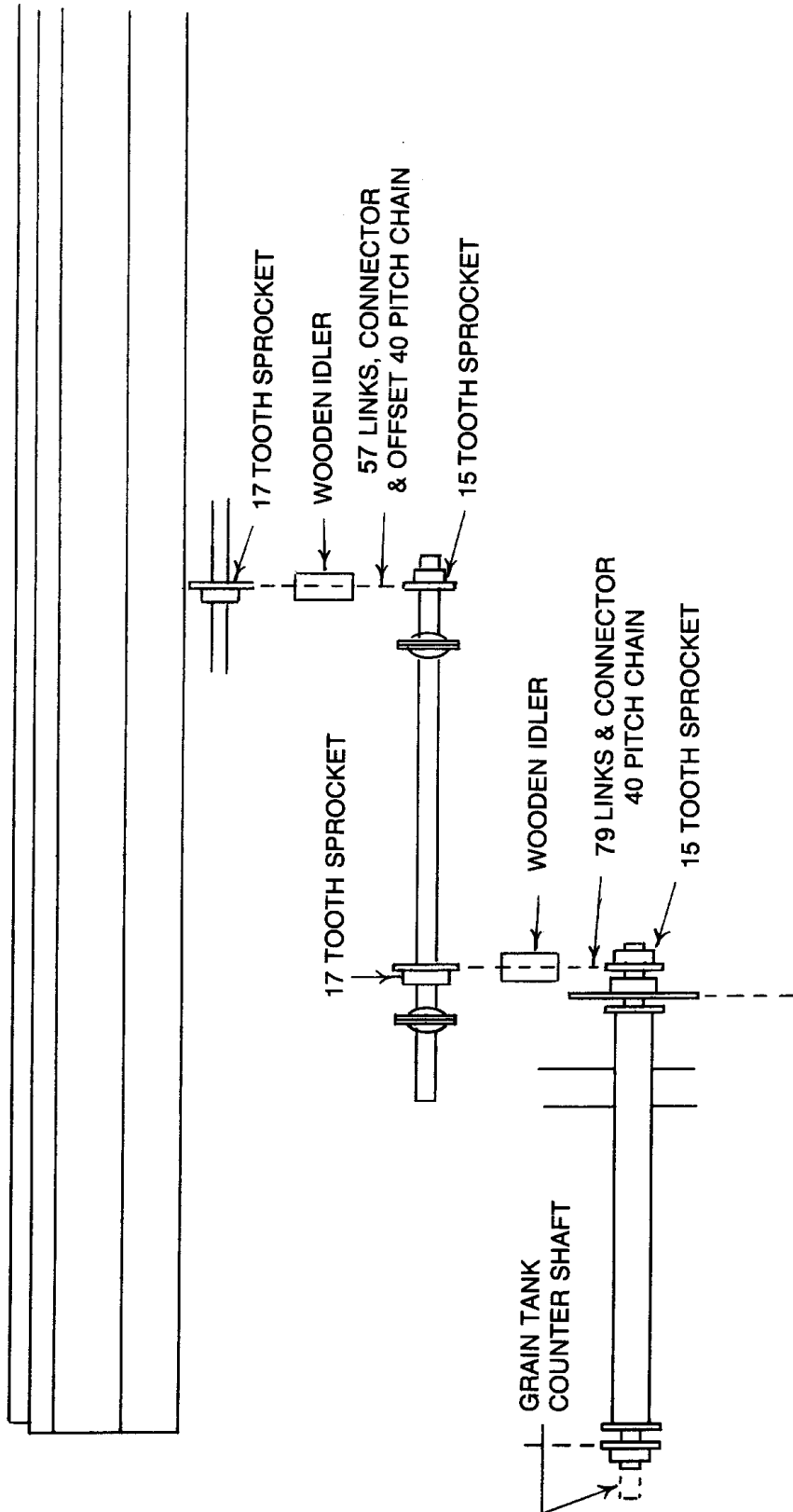
Legume Box (Option) Installation: Figure 1

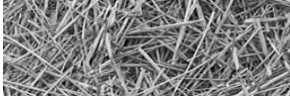




Legume Box (Option) Installation: Figure 2

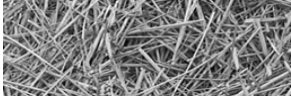
FIGURE 2





2.4 Legume Hopper Shipping Kit (Optional)

ITEM	PART NO.	QTY.	DESCRIPTION
1	8700001	1	BRKT\LEGUME\LH\LEG-BOX
2	8700002	1	BRKT\LEGUME\RH\LEG-BOX
3	8700003	4	STRAP\LEGUMEBOX
4	8700008	1	BRG\BOX\LEGUME\RH
5	8700009	1	BRG\BOX\LEGUME\LH
6	2000002	2	BRG\1" W\LOCK\COLLAR
7	2000703	4	FLGETT\1\2BOLT\PLTD
8	2000016	2	BLK\WD\IDLER
9	8700011	1	SHFT\1X29\LEGUMEBOX
10	1000111	1	SPKT\B\40\17\1\1\4KW\SOFT
11	1000112	2	SPKT\B\40\15\1\1\4KW
12	6200010	3	KEY\SQ\1\4X1
13	1100232	1	CHAIN\40NP\53
14	1100246	1	CHAIN\40NP\79
15	1100224	2	CHAIN\40NP\CL
16	1100225	2	CHAIN\40NP\OL
17	3700129	18	HOSE\PVC\5\8IDX22-1\2\CLR
18	4800098	4	BOLT\HEX\3\8X1-1\4\NC
19	4800156	4	BOLT\HEX\3\8X3
20	4800029	2	BOLT\HEX\3\8X2-1\2
21	4800003	4	BOLT\HEX\3\8X1
22	4900002	14	NUT\HEX\3\8\NC
23	5000019	14	WASH\LOCK\3\8
24	5000001	4	WASH\FLAT\3\8
25	4800153	10	BOLT\CRG\5\16X3\4\NC
26	4900003	10	NUT\HEX\5\16\NC
27	5000022	10	WASH\LOCK\5\16



Section 3: Introduction

Every effort has been made to ensure that the information contained in this manual is correct at the date of publication; but, due to continuous improvements, DuraTech Industries reserves the right to make changes in the contents without notice or obligation.

This manual is shipped with each machine to familiarize the operator with the proper operating, maintenance and lubrication instructions to insure the best possible performance and service from the machine. Study and understand these instructions thoroughly before operating the machine. We recommend that this manual be readily available for reference at all times. Consult your DuraTech Industries dealer if any items in this manual are not understood.

DuraTech reserves the right to make changes in engineering, design and specifications, add improvements, or discontinue manufacture at any time without notice or obligation.

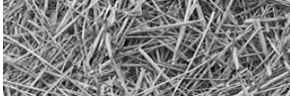
3.1 Ordering Parts

When ordering parts always specify your model number, serial number, and the number of the parts you wish to order.



IMPORTANT: WHEN REPLACEMENT PARTS ARE NEEDED, USE THE LISTED PART NUMBERS AND DESCRIPTIONS TO INSURE FAST AND ACCURATE SHIPMENT OF YOUR ORDER. WHEN ORDERING PARTS ALWAYS SPECIFY UNIT SERIAL NUMBER.

ONLY AUTHORIZED PARTS SHOULD BE USED FOR REPAIR AND/OR REPLACEMENT.



3.2 Serial Number Decal

The serial number and the machine model number are stamped on the decal. The model number and serial number are important when service and/or parts are required.

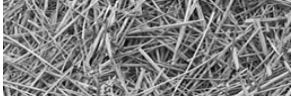


3.3 About your 107 Grain Drill

The 107 Grain Drill is designed to seed No-Till, Minimum Till, or conventionally tilled fields. Two 30 gallon tanks are available for added ballast to penetrate the tough no-till conditions.

The two compartment hopper offers the flexibility of seeding with fertilizer, seeding alone, or planting two different seeds. The metering system for each hopper is infinitely adjustable.

Field hitches are available for one or multiples of two, three, and four drills. A tow hitch is available for towing two or more drills in transport.



Section 4: Operating Instructions

To insure long life and economical operation, we highly recommend the operator of the 107 Grain Drill be thoroughly instructed in the maintenance and operation of the machine. There is no substitute for a sound, preventative maintenance program and a well-trained operator.

Prior to operating the Grain Drill, we recommend the operator make a visual inspection of the unit. This can be done as the lubrication is being carried out.

4.1 Operating Instructions

Check the following:

- Hydraulic components for leaks or damage.

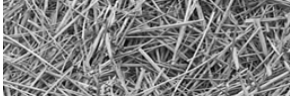


WARNING: Hydraulic fluid escaping under pressure can be almost invisible and can have sufficient force to penetrate the skin. When searching for suspected leaks, use a piece of wood or cardboard rather than your hands. If injured, seek medical attention immediately to prevent serious infection or reaction.

- Lug nuts for tightness.
- Condition of tire rims.
- Tires for proper air pressure.
- Condition of rubber convoluted hoses.
- Adjustment of all chains.
- Installation and condition of shields.
- Installation of Slow Moving Vehicle (SMV) sign, if required.
- Condition of decals.



WARNING: Before attempting to operate this machine, refer again to pages 14-17 for important safety information.



4.2 Grain Drill Setup

The 107 Grain Drill may be shipped without the hydraulic lift cylinder, since the grain drill used a standard 3" x 8" cylinder. The retracted length must be 20-1/4", measured from the center of the mounting holes. When multiple grain drills are used, a cylinder will be required for each grain drill.

- Set the wheels on your tractor out as wide as possible for maximum stability.
- Hitch the grain drill to the tractor. Install the hitch pin as shown in Figure C.
- Connect the hydraulic hoses to the tractor's hydraulic system.

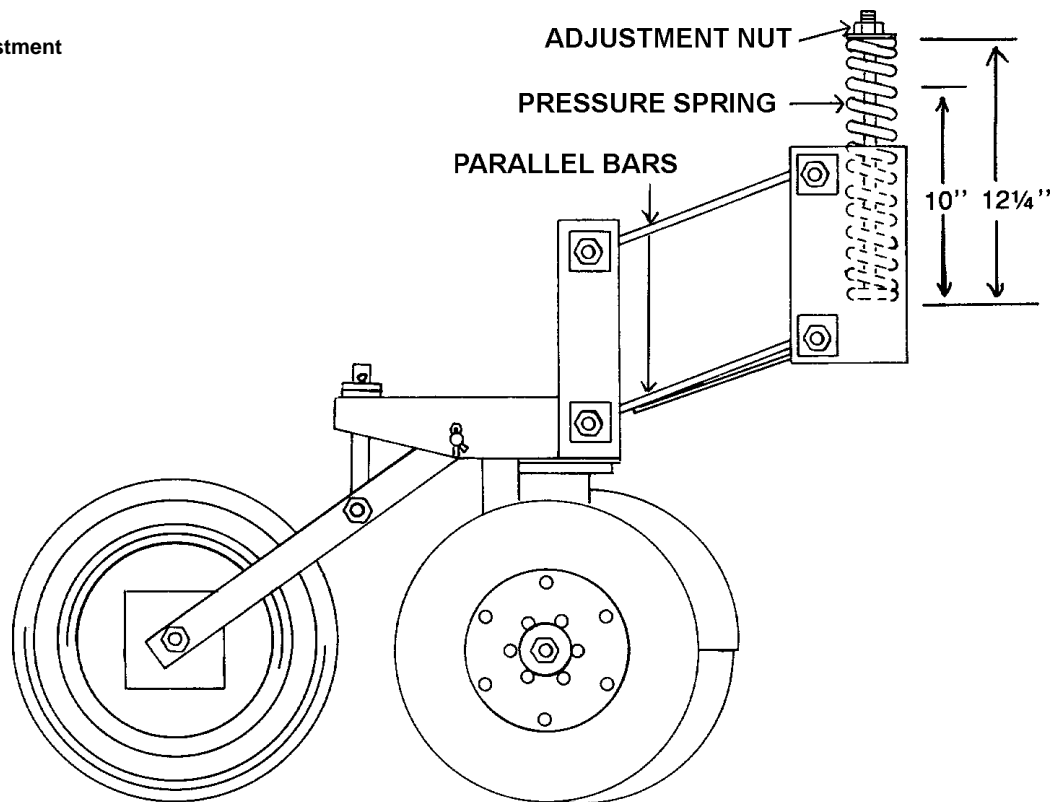
4.3 Pressure Spring Adjustment

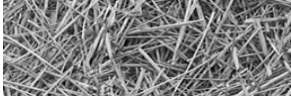
To gain versatility for all types of terrain and soil conditions, it is important to have a considerable amount of up and down travel built into each individual run. When seeding on level terrain, adjust hydraulic cylinder stroke to lower Movable Frame so openers penetrate soil approximately two (2) inches and Parallel Bars are about level when viewed from the side. The toolbar height will be about 20" when discs are new. This will allow runs to move up or down according to terrain.

If parallel bars are not level, it will be necessary to adjust pressure spring, or press wheel adjustment.

Proper tension of the pressure spring varies with conditions. No-till seeding may require more down pressure; loose soil requires less. Since the pressure springs work together with the opener depth adjustment controlled by the hydraulic cylinder, make sure that the opener depth adjustment is set correctly.

pressure spring adjustment





In extremely loose soils such as freshly worked summer fallow, it will be necessary to lessen tension on pressure spring instead of lessening hydraulic cylinder stroke.

To adjust the pressure springs:

1. Make sure the movable frame is raised completely up and the safety stop bar is secured.
2. Using the adjustment nut on each pressure spring, adjust the spring to the desired length. See table at right showing the opener pressure obtained at various spring lengths. Under no circumstances should the spring be adjusted to less than 10 inches. This may damage the spring and related parts and will also void the warranty on these parts.

SPRING LENGTH	OPENER PRESSURE
12¼ IN.	135 LBS.
11½ IN.	180 LBS.
11 IN.	205 LBS.
10½ IN.	235 LBS.
10 IN.	300 LBS.

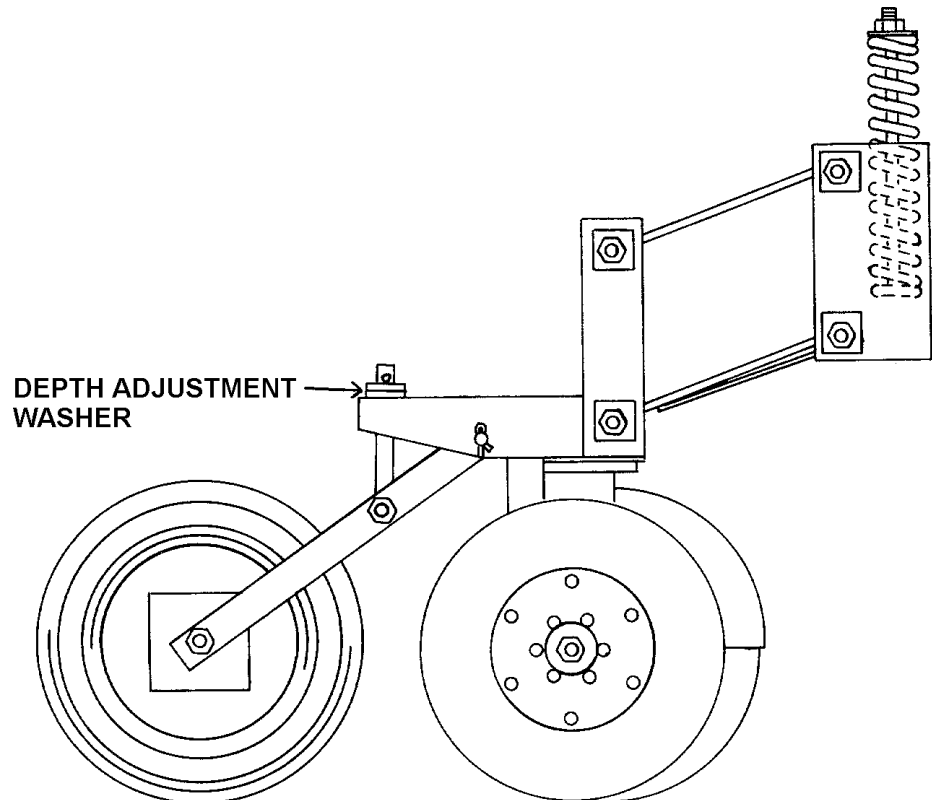
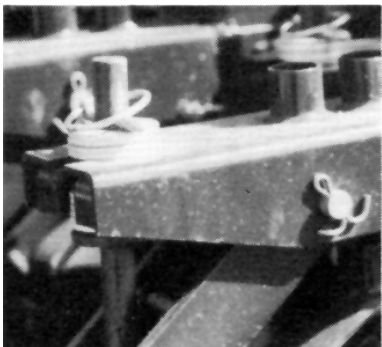
4.4 Press Wheel Adjustment

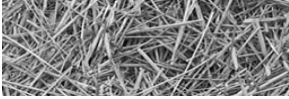
In addition to firming the soil around the seed, the press wheels serve as gauge wheels for the openers. The relationship of each press wheel and opener will remain consistent regardless of terrain or soil density. If the seed is too deep, lower the press wheel. If the seed is too shallow, raise the press wheel.

To adjust the press wheel height:

1. Remove quick attachment pin.
2. To lower the press wheel, relocate shim washers from top to bottom. To raise the press wheel, relocate shim washers from bottom to top.
3. Install quick attachment.

depth adjustment washer for serial numbers 401 and up

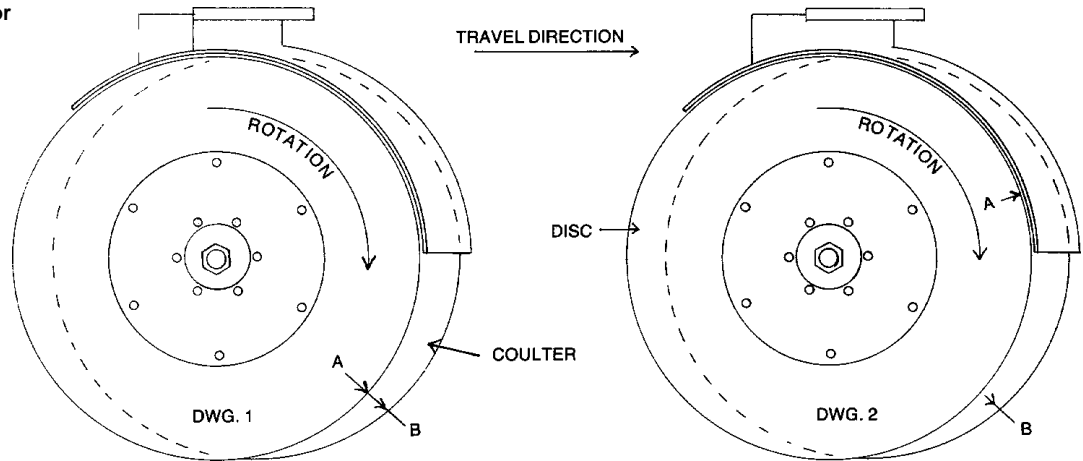




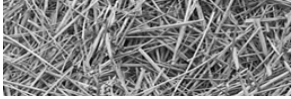
4.5 Haybuster 107 Drill Opener

The 107 Drill uses a coultter-disk offset opener. The coultter blade leads the disk by 1-1/2". Both blades are the same size and due to the offset, there is some sliding action where the blades contact. This sliding or scissor action provides excellent residue cutting action at ground level, especially in wet residue. The scissor action causes some wear into the coultter blade at the point of contact. This wear is normal and the heavier coultter blade is bolted to the bearing cage to allow easy replacement.

depth adjustment washer for
serial numbers 401 and up



One complete turn changes points A and B (DWG. 1) the amount shown in DWG. 2. It takes 6 turns to bring points A and B back together.



4.6 Feed Wheel Space Adjustment

SERIAL NO. 201 THRU 552

To set the adjustment:

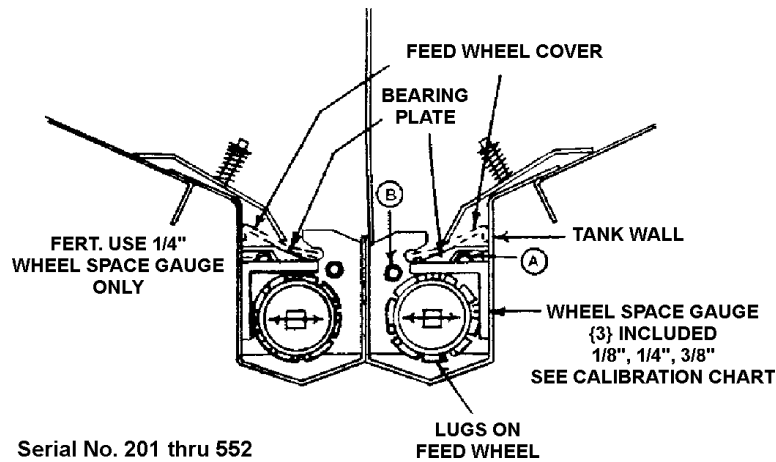
Large seeds require more space between feed wheel lugs and tank wall than small seeds to prevent cracking. Small seeds require less space to provide an even flow. Therefore each seed listed in the feed rate chart shows a required wheel space.

See Illustration Below

Remove feed wheel covers. Loosen bolts A and B. Insert gauge required and retighten bolts. Recheck for accuracy. Be sure to replace feed wheel cover before filling tank.

Fertilizer requires only the 1/4" setting.

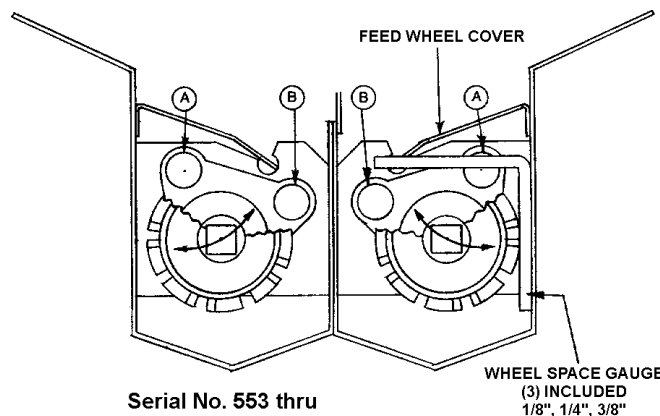
feed wheel space
adjustment, serial numbers
201 through 552

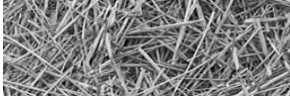


SERIAL NO. 553 THRU

Large seeds require more space between feed wheel lugs and tank wall than small seeds to prevent cracking. Small seeds require less space to provide an even flow. Therefore each seed listed in the feed rate chart, pages 31 to 38, shows a required wheel space.

feed wheel space
adjustment, serial numbers
553 and up

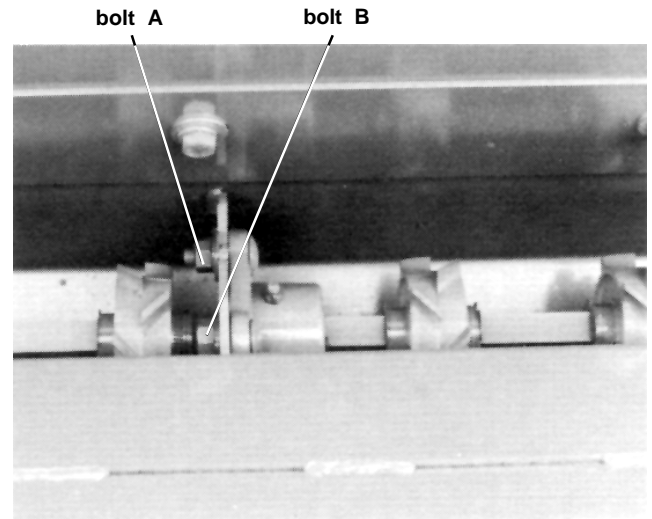




FEED WHEEL SPACE ADJUSTMENT

1. Remove the feed wheel covers.
2. Loosen the eight bolts A and B. There are four sets of bolts for each feed wheel - two on the outer end of the hopper and six inside the hopper.
3. Select the proper space gauge using the wheel space chart.
4. Install the proper space gauge as shown.
5. Slide the feed wheel toward the gauge until the feed wheel lugs, gauge and hopper are pressed together. Tighten the eight bolts.
6. Recheck the feed wheel space adjustment.
7. Install the feed wheel covers.

The feed wheel space adjustment provides the proper clearance for the type of seed or fertilizer being used.



one set of feed wheel space adjustment bolts

4.7 100 Drill Cleanout Slides

SERIAL NO. 900 THRU

Cleanout slides are provided on both grain and fertilizer tanks. Handles for opening and closing the slides are located on the left side of the drill.

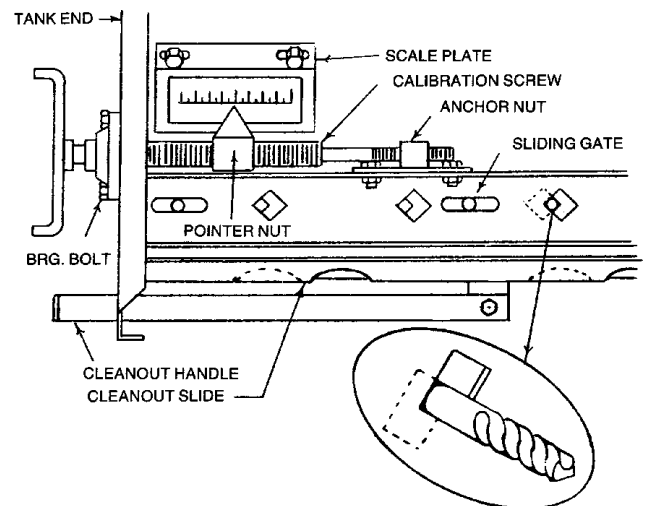
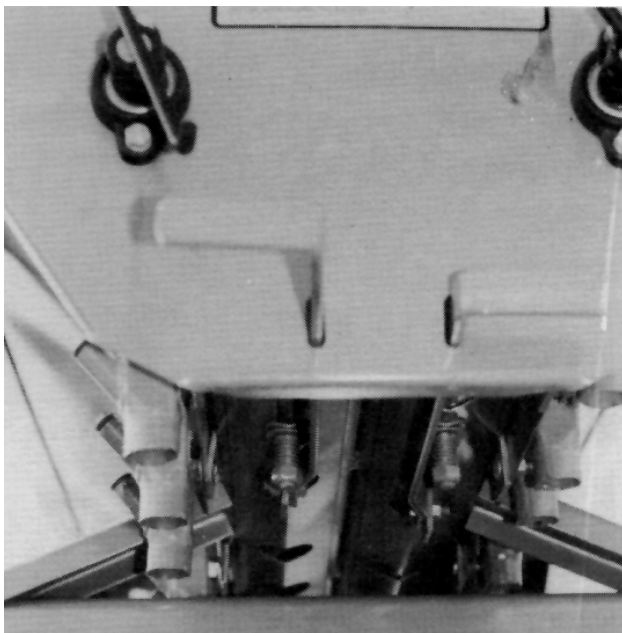
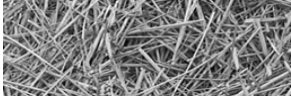


figure 4.7
drill cleanout slides, serial
number 900 and up



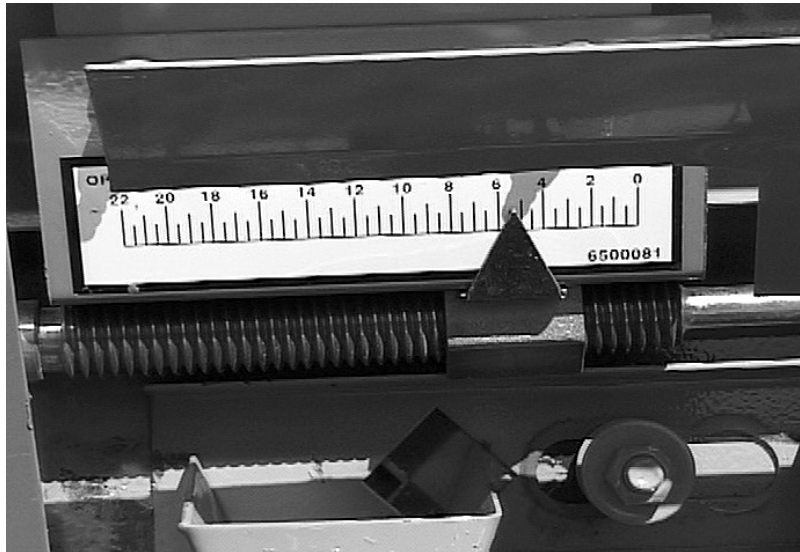
4.8 Calibration Pointer Adjustment

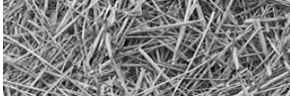
SERIAL NO. 201 THRU

Grain and fertilizer sliding gates are preadjusted at the factory. In the event any part of the calibrating mechanism is removed or replaced, it can be recalibrated in this order:

1. Place both pointer nut and anchor nut in the center of their respective thread.
2. Insert a short length of 7/16" rod or the shank end of a 7/16" drill bit into the square hole in sliding gate as shown.(figure 4.7)
3. Tighten bearing bolts securing calibration screw to end of tank.
4. Tighten bolts securing anchor nut to sliding gate.
5. Place scale plate on tank so number 8 is directly in line with top of pointer. This will insure pointer setting to coincide with chart. Scale plate must be parallel with calibration screw to allow pointer to operate smoothly along plate.

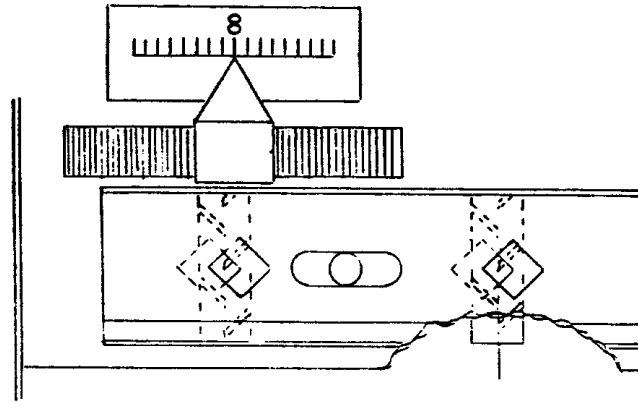
calibration pointer
adjustment





4.9 Setting And Checking Feed Rate

figure 5.9
general setting for feed
wheel alignment



For most seeding, the feed wheel should be aligned as shown above. Set the pointer on number 8. The center of the feed wheel should be centered in the opening as viewed from outside of the box.

The rates shown on the charts serve only as a starting point. Due to variations in material size and density the rates may vary from the chart. The following methods may be used to determine the proper setting for your particular seed or fertilizer.

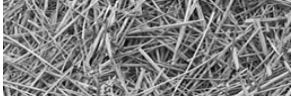
Setting and checking feed rate using wheat as an example.

1. You want to seed wheat at a rate of 95 lbs. per acre on 7" spacing.
2. Seed rate charts calls for a wheel space of 1/8" (page 31). Pointer set on 8 (page 28). The adjustment should be made before filling grain tank.
3. Make sure feed wheel cover is in place. Put grain in tank.
4. Seed far enough so you can visually check grain flowing into seed cups.

The addition of the single agitator to the standard drill box will prevent these seeds from bridging above the feed wheels. The single agitator may be added to all 107 drills after Serial No. 553. (Serial No. 553 to 899 require longer agitator shafts.)

Alti wildrye
Bromegrass #
Intermediate wheatgrass
Killdeer sideoats #
Pubescent wheatgrass
Streambank wheatgrass
Tall wheatgrass
Western wheatgrass

Extremely trashy samples may require the double agitator.



4.10 Checking Feed Rate

1. Measure a distance of 415' (1/10 acres) 7" spacing and mark. Remove one hose from seed hopper on each drill. Attach a container (cloth or plastic bag) to hopper to collect seed.
2. Operate drill at intended planting speed through entire length of test track.
3. Weigh the sample in ounces (less weight of sample container). Use the following formula to determine lbs./acre for your particular shank spacing.

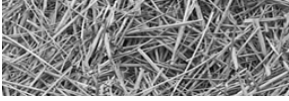
7" Spacing - oz. x 11.25 = lbs./acre

II 10" Spacing - oz. x 7.5 = lbs./acre

EXAMPLE

Sample and container weighs	9.9 ounces
Container weighs	- 1.5 ounces
Weight of sample only	8.4 ounces

4. Use formula No. 1 to figure pounds per acre. $8.4 \text{ ounces} \times 11.25 = 94.5 \text{ pounds per acre}$.
5. To calibrate a seed not shown on the chart or a mix of different seeds, compare to a similar charted seed to obtain a trial setting. Recalibrate as necessary.
6. The same method may be used to determine fertilizer rates.



**Series 100
Spacing 7”
Model No. 107**

CHART FOR DRILLING GRAIN IN POUNDS PER ACRE

SERIAL NO. 553 THRU

POINTER SETTING

POINTER SETTING	**	3	4	5	6	7	8	9	10	11	12	13	14	15	16													
WHEAT	1/8		13	21	29	39	50	63	78	95	111	126	150	173	199	218	250	284										
BARLEY	1/8					22	29	36	46	55	63	74	90	104	117	133	153	176	198									
OATS	1/8						8	11	15	20	25	32	38	48	59	70	82	96	120	133	144	150	163	171	172			
RYE	1/8			15	22	30	40	50	63	78	92	106	124	143	164	185	208	235										
SOYBEANS	3/8					17	20	26	35	46	58	68	82	96	115	129	145	171	186	215	243	275	306	334	357	364		
BUCKWHEAT	1/8																											
SORGHUM OR VETCH	1/8		4	5	9	13	21	27	35	48	59																	
ALF ALFA OR RAPE	1/8	3	8	13	19	27	35	48	59																			
MILLET	1/8	5	8	15	22	30	40	53	66																			
FLAX OR SUDAN GRASS	1/8		5	7	10	17	24	30	38	49	62	73																
ORCHARD GRASS	1/8			1	2	3	4	5	7	9	11	14	17	20	23	26												
FESCUE	1/8				5	6	8	12	14	19	23																	
SWITCH GRASS	1/8	3	7	12	19	24																						
SUNFLOWER (#3 6500/LB.)	1/8						3	5	6	8	10	14	18	21	26	31	37											
FERTILIZER	1/8	3	6	11	17	24	35	49	62	77	93	116	138	160	185	212	240	275	306	324	353	370	384	393	406	414	420	425
18-46-0																												

** = INDICATES WHEEL SPACE

100 DRILL DETERMINING SEED POPULATION

The 100 Drill seeds 10,50' or 126" per pass.

The drill travels 4149 feet to seed 1 acre.

Following is the lineal feet of seeded row to seed 1 acre.

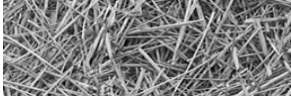
18" rows at 7" spacing gives 74,682 lineal feet of row per acre.

EXAMPLE:

150,000 bean plants desired per acre on 7" row spacing

150,000 divided by 74,682 = 2.0 beans per ft.

10 ft. of row - 20 beans.



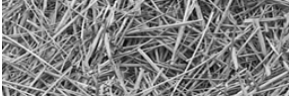
Series 100
Spacing 7"
Model No. 107

CHART FOR DRILLING GRAIN IN POUNDS PER ACRE

SERIAL NO. 101 THRU 552
POINTER SETTING

POINTER SETTING	**	3	4	5	6	7	8	9	10	11	12	13	14	15	16														
WHEAT	1/4			18	23	29	37	48	61	72	86	105	126	153	187	216	265												
BARLEY	1/4					18	23	28	34	39	46	58	69	81	96	114	135	158	178	201	212	217							
OATS	1/4					12	15	19	24	32	39	45	56	66	75	89	107	134	176	193									
RYE	1/4					31	38	46	56	68	79	93	111	133	156	187	226												
SOYBEANS	3/8							32	42	53	66	86	101	117	132	152	178	201	217	248	279	302	331	352					
BUCKWHEAT	1/4						29	38	49	60	70	90	109	129															
SORGHUM OR VETCH	1/4						6	9	12	17	24	31	40	51	62	72	89												
ALF ALFA OR RAPE	1/8						6	10	15	23	32	41	52																
MILLET	1/8						7	12	17	24	34	45	57																
FLAX OR SUDAN GRASS											18	24	31	40	47	58	66												
FERTILIZER	1/4	3	5	8	11	16	22	32	43	55	70	84	99	122	140	166	193	222	247	270	289	304	320	335	355	362	375	379	385

** = INDICATES WHEEL SPACE



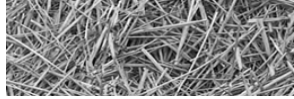
Series 100
Spacing 10" &
Paired Row
Model No. 107

CHART FOR DRILLING GRAIN IN POUNDS PER ACRE

POINTER SETTING

POINTER SETTING	**	3	4	5	6	7	8	9	10	11	12	13	14	15	16
WHEAT	1/8			9 15 20 27 35 44 55 67 78 88 105 121 140 152 175 199											
BARLEY	1/8					15 20 25 32 39 44 52 63 73 82 93 107 123 137									
OATS	1/8					6 8 11 14 18 22 27 34 41 49 57 67 84 93 100 105 114 120 121									
RYE	1/8			11 15 21 28 35 44 55 64 74 86 100 115 130 145 165											
SOYBEANS	3/8				12 14 18 25 32 40 48 54 67 81 90 102 120 128 151 170 192 214 234 250 254										
BUCKWHEAT	1/8			11 15 20 27 34 43 52 61 71 84 97											
SORGHUM OR VETCH	1/8		3 4 6 9 15 19 25 31 39 47 55 65												
ALFALFA OR RAPE	1/8	2 6 9 13 18 25 34 41													
MILLET	1/8	4 6 11 15 21 28 37 46													
FLAX	1/8		4 5 7 12 17 21 27 34 43 51												
ORCHARD GRASS	1/8			1 2 3 4 5 6 8 10 12 14 16 18											
FESCUE	1/8			3 4 6 8 10 13 16											
SWITCH GRASS	1/8	2 5 8 13 17													
SUNFLOWER (#3 6500/LB.)	1/8			2 3 4 6 8 10 13 15 18 22 26											
FERTILIZER															
18-46-0	1/8	2 4 8 12 17 25 34 43 54 65 81 96 112 130 148 168 193 214 227 247 259 269 275 284 290 294 298													

** = INDICATES WHEEL SPACE



Spacing 7 Inch CHART FOR DRILLING GRAIN IN POUNDS PER ACRE POINTER SETTING

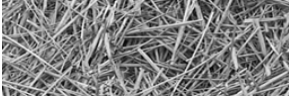
POINTER SETTING	**	3	4	5	6	7	8	9	10	11	12	13	14	15	16						
BAHIA GRASS	1/8	2.5	5.5	10.3	16.1	24.6	34.2	44.5	53.7	63.9	77.7	89.9	102.0	115.0	131.0	145.0					
BUFFALO GRASS*	1/8			2.5	3.8	5.3	6.7	8.6	10.9	13.9	16.0	18.8	21.7	26.1	34.0	42.7					
FESCUE	1/8			4.5	6.3	8.1	11.7	14.4	18.9	22.9	27.4	32.0	36.4	42.2	56.5	66.5	75.9				
GREEN	1/8		3.6	4.8	6.8	9.3	12.1	14.7	17.7	20.7	24.5	28.5	31.3	34.7	40.0	43.7	50.3	54.8	60.9	69.3	
ORCHARD GRASS	1/8			1.3	2.0	2.7	4.1	5.4	7.2	9.0	11.3	13.5	16.7	19.8	22.7	25.6	30.1	34.6	40.2	45.8	
RYEGRASS	1/8		3.1	4.5	6.7	9.4	13.5	16.6	21.1	27.0	33.7	37.7	45.4	53.0	61.1						
*FEED COVER OFF																					

** = INDICATES WHEEL SPACE

Spacing 10 Inch CHART FOR DRILLING GRAIN IN POUNDS PER ACRE POINTER SETTING

POINTER SETTING	**	3	4	5	6	7	8	9	10	11	12	13	14	15	16						
BAHIA GRASS	1/8	1.8	3.9	7.2	11.3	13.7	17.2	23.9	31.2	37.6	44.7	54.4	62.9	71.4	80.5	91.7	102.0				
BUFFALO GRASS*	1/8			1.8	2.7	3.7	4.7	6.0	7.6	9.7	11.2	13.2	15.2	18.3	23.8	29.9	38.4	46.1	51.4		
FESCUE	1/8			3.2	4.4	5.7	8.2	10.1	13.2	16.0	19.2	22.4	25.5	29.5	34.6	39.6	46.6	53.1			
GREEN NEEDLE GRASS	1/8		2.5	3.4	4.8	6.5	8.5	10.3	12.4	14.5	17.2	20.0	21.9	24.3	28.0	30.6	35.2	38.4	42.6	48.5	
ORCHARD GRASS	1/8			0.9	1.4	1.9	2.9	3.8	5.0	6.3	7.9	9.5	11.7	13.9	15.9	17.9	21.1	24.2	28.1	32.1	
RYEGRASS	1/8		2.2	3.2	4.7	6.6	9.5	11.6	14.8	18.9	23.6	26.4	31.8	37.1	42.8						
*FEED COVER OFF																					

** = INDICATES WHEEL SPACE



Spacing 7 Inch

CHART FOR DRILLING GRAIN IN POUNDS PER ACRE

POINTER SETTING

POINTER SETTING	**	1	2	3	4	5	6	7	8	9	10	11						
ALFALFA	1/8	0.4	1.3	3.6	8.1	13.9	19.8	27.0	35.5	48.5	57.5	71.1	85.8					
KENTUCKY BLUEGRASS	1/8		0.7	1.6	2.9	4.4	6.3	8.8	12.1	16.1	20.4	25.1	30.8	37.5	44.1	50.0	57.3	65.2
LADINO CLOVER	1/8		1.0	3.4	8.1	15.5	25.0	35.2	46.4	59.8								
LESPEDEZA (KOREAN)	1/8		1.1	4.7	8.3	12.4	17.3	23.6	31.3	39.8	49.2							
RED CLOVER	1/8		1.3	4.3	9.5	16.4	24.3	32.8	43.4									
RED TOP	1/8		0.9	1.9	3.5	5.5	7.6	10.5	14.8	20.1	25.8	31.6	38.3	46.2	54.1	60.9	69.7	82.6
REED CANARYGRASS	1/8			0.9	2.3	3.8	5.5	7.9	10.9	14.0	17.2	20.6	24.8	29.4	33.9	39.1	44.7	50.6
SERECIA (UNHULLED)	1/8		1.0	2.7	4.7	7.4	10.6	14.1	19.0	25.0	30.8	37.1	46.2	54.2				
SWEET CLOVER	1/8		2.7	7.2	14.4	23.4	33.5	44.5	58.9	77.3	97.5							
SWITCHGRASS	1/8		0.9	2.7	7.2	12.1	17.5	24.3	34.1									
TIMOTHY	1/8		0.9	3.6	8.5	15.3	22.9	30.6	39.5	53.0								
LOVEGRASS	1/8		1.0	3.4	8.3	15.5	23.4	33.5	44.5	57.5								

** = INDICATES WHEEL SPACE

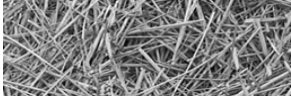
Spacing 10 Inch

CHART FOR DRILLING GRAIN IN POUNDS PER ACRE

POINTER SETTING

POINTER SETTING	**	1	2	3	4	5	6	7	8	9	10	11							
ALFALFA	1/8		0.3	0.9	2.5	5.7	9.7	13.9	18.9	24.9	34.0	40.3	49.8	60.1					
KENTUCKY BLUEGRASS	1/8			0.5	1.1	2.0	3.1	4.4	6.2	8.5	11.3	14.3	17.6	21.6	26.3	30.9	35.1	40.2	45.7
LADINO CLOVER	1/8		0.3	2.4	5.6	10.9	17.5	24.8	32.5	41.9									
LESPEDEZA (KOREAN)	1/8			1.0	3.6	6.1	8.7	12.1	16.5	21.9	27.9	34.5							
RED CLOVER	1/8		0.7	2.4	5.8	10.9	16.4	23.5	31.2	40.3									
RED TOP	1/8		2.3	3.0	6.6	11.5	17.0	23.0	30.4										
REED CANARYGRASS	1/8			0.6	1.3	2.5	3.9	5.4	7.3	10.4	14.1	18.1	22.1	26.8	32.3	37.9	42.6	49.1	57.9
SERECIA (UNHULLED)	1/8			0.9	1.6	2.6	3.9	5.5	7.6	9.8	12.1	14.4	17.3	20.1	23.6	27.4	31.1	35.4	
SWEET CLOVER	1/8			0.7	1.9	3.3	5.2	7.4	9.9	13.6	17.7	21.6	26.0	31.6	37.9				
SWITCHGRASS	1/8		0.5	2.5	5.6	10.1	16.4	23.4	31.1	41.2	54.1	68.3							
TIMOTHY	1/8		0.6	1.9	5.0	8.5	12.3	17.0	23.9										
LOVEGRASS	1/8		0.6	2.5	6.0	10.7	16.0	21.4	27.7	37.1									

** = INDICATES WHEEL SPACE



Spacing 7 Inch CHART FOR DRILLING GRAIN IN POUNDS PER ACRE POINTER SETTING

POINTER SETTING	**	3	4	5	6	7	8	9	10	11	12	13	14	15	16
ALTI W/LDRYE	1/8					3.1	5.7	7.6	12.7	18.5	27.1	36.2	46.4	47.4	49.8
BROMEGRASS*	1/8							3.6	5.3	7.5	10.2	13.6	16.5	20.0	20.7
INTERMEDIATE WHEATGRASS	1/8					5.8	8.1	12.1	19.3	28.3	35.0	49.8	55.2		
KILLDEER SIDEOTS*	1/8					2.5	3.8	5.5	7.4	9.6	11.8	14.0	16.4	19.3	22.5
PUBESCENT WHEATGRASS	1/8					4.9	12.6	19.3	28.5	39.7	53.4	69.9	81.1	86.1	
STEAMBANK WHEATGRASS	1/8					2.9	4.5	7.1	10.3	13.4	20.0	27.2	33.4	35.1	
T ALL WHEATGRASS	1/8					5.8	8.5	12.1	18.4	25.2	32.3	43.1	53.9		
WESTERN WHEATGRASS	1/8					2.7	4.4	7.3	10.8	15.3	19.9	25.0	30.4	35.5	39.8

* = DOUBLE AGITATOR MAY BE REQUIRED FOR EXTREMELY TRASHY SAMPLES ** = INDICATES WHEEL SPACE

Spacing 10 Inch CHART FOR DRILLING GRAIN IN POUNDS PER ACRE POINTER SETTING

POINTER SETTING	**	3	4	5	6	7	8	9	10	11	12	13	14	15	16
ALTI W/LDRYE	1/8					2.2	4.0	5.3	8.9	13.0	19.0	25.3	32.5	33.2	34.9
BROMEGRASS*	1/8							2.5	3.8	5.3	7.1	9.5	11.6	14.0	14.5
INTERMEDIATE WHEATGRASS	1/8					4.1	5.7	8.5	13.5	19.8	24.5	34.9	38.6		
KILLDEER SIDEOTS*	1/8					1.8	2.7	3.9	5.2	6.7	8.3	9.8	11.5	13.5	15.8
PUBESCENT WHEATGRASS	1/8					3.4	8.8	13.5	20.0	27.8	37.4	48.9	66.8	60.3	
STEAMBANK WHEATGRASS	1/8					2.0	3.2	5.0	7.2	9.4	14.0	19.0	23.4	24.6	
T ALL WHEATGRASS	1/8					4.1	6.0	8.5	12.9	17.6	22.6	30.2	37.7		
WESTERN WHEATGRASS	1/8					1.9	3.1	5.1	7.6	10.7	13.9	17.5	21.3	24.9	27.9

* = DOUBLE AGITATOR MAY BE REQUIRED FOR EXTREMELY TRASHY SAMPLES ** = INDICATES WHEEL SPACE

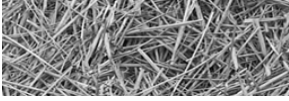


CHART FOR DRILLING LEGUMES AND SMALL GRASSES IN POUNDS PER ACRE

LEGUME BOX ATTACHMENT FOR 107 DRILL ON 7" SPACING

NOTCHES ON INDEX	LBS. BU.	1	2	3	4	5	6	7	8	9	10	11	12	13	14	15	16
ALFALFA; RED, ALSIKE, LADINO CLOVER; VETCH	62	2.2	4.7	7.7	10.7	13.6	17.0	20.4	23.9	27.3	30.9	31.7	37.9	41.3	44.7	47.6	50.6
SWEET CLOVER	64	2.3	5.1	8.4	12.4	17.4	22.5	26.4	30.9	37.1	41.6	46.7	51.2	56.3	59.6	63.0	66.4
BIRDSFOOT TREFOIL	64	2.3	4.5	7.9	10.7	14.1	17.4	21.4	25.3	28.1	32.1	36.0	39.4	42.2	46.7	50.1	55.1
MILLIT, TIBBET CLOVER	60	2.1	4.9	7.7	10.7	14.3	17.4	21.2	26.1	28.5	30.9	35.5	39.4	42.8	46.7	51.0	55.9
UNHULLED SERICEA	36	1.1	2.8	4.5	6.8	9.6	11.8	14.6	17.4	20.3	23.1	26.4	28.7	31.5	33.8	36.0	40.5
UNHULLED LESPEDEZA	46	1.7	3.9	5.6	8.4	11.8	15.2	18.0	21.9	25.3	28.7	32.6	35.4	38.3	41.6	45.0	50.1
BAHIA GRASS	46	1.1	2.8	5.1	6.2	8.4	10.7	11.8	14.6	16.9	18.6	20.8	22.5	24.2	25.9	27.6	28.1
LOVEGRASS	64	2.3	5.1	7.9	11.3	16.3	20.3	24.2	28.7	32.6	36.6	42.2	46.7	51.2	55.1	57.9	60.2

SEED MIXTURES

SELECT THE SETTING FOR THE DESIRED QUANTITY OF EACH SEED.

ADD INDIVIDUAL SETTINGS.

EXAMPLE:

ALFALFA	LBS/ACRE	NOTCH
SWEET CLOVER	5	2
TIMOTHY	5	2
TOTAL	2	1
		5

NOTCHES ON INDEX	LBS. BU.	1	2	3	4	5	6	7	8	9	10	11	12	13	14	15	16
TIMOTHY	50	1.7	3.9	6.2	9.6	12.9	16.9	20.9	24.8	28.1	32.6	37.1	40.5	44.4	46.7	49.5	54.6
SWITCHGRASS	55	2.3	4.5	6.8	9.6	12.4	15.8	18.6	20.8	24.2	28.1	30.9	33.8	37.1	39.9	42.2	47.8
FLAX SESAME	55	1.4	3.7	6.2	8.7	11.6	14.7	17.5	20.6	23.1	26.5	29.6	32.4	35.5	37.9	40.5	44.5
RAPE MUSTARD	53	1.7	4.2	7.4	10.2	12.9	16.4	19.2	22.5	25.6	28.2	31.8	34.9	37.7	40.5	43.3	45.9
ORCHARD GRASS	17		0.8	1.7	2.8	3.4	3.9	5.1	5.6	6.8	7.3	8.4	9.0	10.1	10.7	11.3	11.9
PERENNIAL RYEGRASS	31		2.3	3.4	5.6	7.3	9.0	10.7	11.8	13.5	15.2	16.9	18.6	20.8	21.9	23.1	24.8
FESCUE	27		1.1	2.8	3.9	5.6	6.8	8.4	9.6	11.3	12.4	13.5	15.2	16.9	18.0	19.1	21.9
COMMON BERMUDA GRASS		2.7	5.0	7.4	10.6	14.3	17.6	20.8	25.1								

WHEN USING HALF SPEED DRIVE DIVIDE CHARTED RATES BY TWO. REPLACE 17 TOOTH SPROCKET ON COUNTERSHAFT WITH 35 TOOTH. (SEE MANUAL FOR DETAILS.)

DENSITY OF THE SAMPLES USED TO PREPARE THIS CHART ARE GIVEN IN THE FIRST COLUMN TO THE RIGHT OF THE CROP NAME IN POUNDS PER BUSHEL.

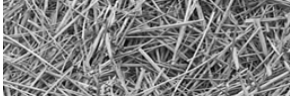


CHART FOR DRILLING LEGUMES AND SMALL GRASSES IN POUNDS PER ACRE

LEGUME BOX ATTACHMENT FOR 1000 DRILL ON 10" SPACING

NOTCHES ON INDEX	LBS. BU.	1	2	3	4	5	6	7	8	9	10	11	12	13	14	15	16
ALFALFA; RED, ASKINE, LADINO CLOVER; VETCH	62	1.5	3.3	5.4	7.5	9.5	11.9	14.3	16.7	19.1	21.6	22.2	26.5	28.9	31.3	33.3	35.4
SWEET CLOVER	64	1.6	3.5	5.9	8.7	12.2	15.8	18.5	21.7	26.0	29.2	32.7	35.9	39.4	41.8	44.1	46.5
BIRDSFOOT TREFLOIL	64	1.6	3.2	5.5	7.5	9.9	12.2	15.0	17.7	19.7	22.5	25.2	27.6	29.6	32.7	35.1	38.6
MILLET, TIBET CLOVER	60	1.5	3.4	5.4	7.5	10.0	12.2	14.8	18.3	20.0	21.6	24.9	27.6	30.0	32.7	35.7	39.2
UNHULLED SERICEA	36	0.8	2.0	3.2	4.7	6.7	8.3	10.2	12.2	14.2	16.2	18.5	20.1	22.1	23.6	25.2	28.4
UNHULLED LESPEDEZA	46	1.2	2.8	3.9	5.9	8.3	10.6	12.6	15.4	17.7	20.1	22.9	24.8	26.8	29.2	31.5	35.1
BAHIA GRASS	46	0.8	2.0	3.5	4.3	5.9	7.5	8.3	10.2	11.8	13.0	14.6	15.8	16.9	18.1	19.3	19.7
LOVEGRASS	64	1.6	3.5	5.5	7.9	11.4	14.2	16.9	20.1	22.9	25.6	29.6	32.7	35.9	38.6	40.6	42.2

SEED MIXTURES

SELECT THE SETTING FOR THE DESIRED QUANTITY OF EACH SEED.

ADD INDIVIDUAL SETTINGS.

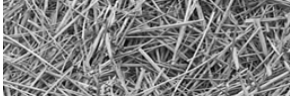
EXAMPLE:

ALFALF	LBS/ACRE	NOTCH
SWEET CLOVER	5	2
TIMOTHY	2	2
TOTAL		<u>1</u>
		5

WHEN USING HALF SPEED DRIVE DIVIDE CHARTED RATES BY TWO. REPLACE 17 TOOTH SPROCKET ON COUNTERSHAFT WITH 35 TOOTH. (SEE MANUAL FOR DETAILS.)

DENSITY OF THE SAMPLES USED TO PREPARE THIS CHART ARE GIVEN IN THE FIRST COLUMN TO THE RIGHT OF THE CROP NAME IN POUNDS PER BUSHEL.

NOTCHES ON INDEX	LBS. BU.	1	2	3	4	5	6	7	8	9	10	11	12	13	14	15	16
TIMOTHY	50	1.2	2.8	4.3	6.7	9.1	11.8	14.6	17.3	19.7	22.9	26.0	28.4	31.1	32.7	34.7	38.2
SWITCHGRASS	55	1.6	3.2	4.7	6.7	8.7	11.0	13.0	14.6	16.9	19.7	21.7	23.6	26.0	28.0	29.6	33.5
FLAX SESAME	55	1.0	2.6	4.3	6.1	8.1	10.3	12.3	14.4	16.2	18.6	20.7	22.7	24.9	26.5	28.4	31.2
RAPE MUSTARD	53	1.2	2.9	5.2	7.1	9.0	11.5	13.4	15.8	17.9	19.8	22.3	24.4	26.4	28.4	30.3	32.2
ORCHARD GRASS	17		0.6	1.2	2.0	2.4	2.8	3.5	3.9	4.7	5.1	5.9	6.3	7.1	7.5	7.9	8.3
PERENNIAL RYEGRASS	31		1.6	2.4	3.9	5.1	6.3	7.5	8.3	9.5	10.6	11.8	13.0	14.6	15.4	16.2	17.3
FESCUE	27		0.8	2.0	2.8	3.9	4.7	5.9	6.7	7.9	8.7	9.5	10.6	11.8	12.6	13.4	15.4
COMMON BERMUDA GRASS		1.9	3.5	5.2	7.4	10.0	12.3	14.6	17.6								



4.11 Drilling with the Grain Drill

If the grain drill was transported using the optional end hitch, the rear wheels will need to be rotated as follows:

1. Use the hydraulic system to lower the openers onto solid soil or use a jack to raise the drill frame and remove the weight from the rear wheels.
2. Remove the bolts from each wheel.

rotating the wheels for drilling (wheel shown in drilling position)

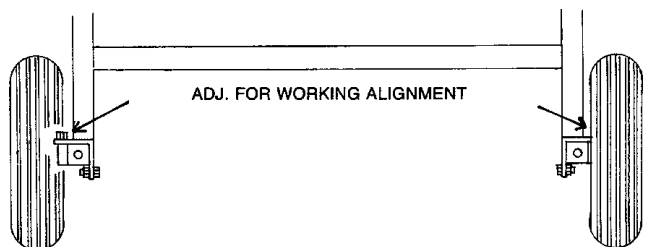


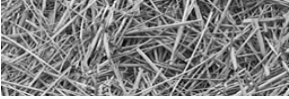
3. Rotate the wheels 90° and insert bolts.



NOTE: Step 4 covers alignment of the wheels. Once this adjustment is set, it should not normally be necessary to readjust it. Alignment of the wheels in the working position is less critical than in the transport position because of the softer surfaces and slower speeds.

4. Using a tape measure, align the wheels so that they are parallel with each other and the frame as shown below. Adjust and secure the stop bolt #2.





5. Tighten the bolts.
6. Remove the jack, if used.
7. After the tractor is hitched to the front hitch, move the drill ahead slowly until the front swivel wheels are properly positioned.

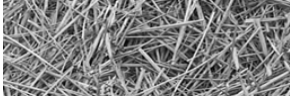
At this point the grain drill should be properly set up and adjusted according to the instructions in the preceding sections.

Load the tanks with seed and/or fertilizer. Rotate the drive wheel by hand to make sure that the feed wheel shafts are free to turn. This is particularly important if the drill was transported with fertilizer and seed in the hoppers.

Start the tractor, retract the cylinder completely, and begin drilling.

Periodically check for proper seed depth and feed rate.

When the seeding operation is finished, park the drill over a sheet of plastic, canvas, etc. Pull one of the cleanout side control levers out to empty the remaining seed or fertilizer. Collect the seed or fertilizer. Repeat the procedure for the other hopper.



4.12 Suggestions

When preparing to sow damp fertilizer that has been sitting in the tank for several hours, stir the fertilizer all the way to the bottom to break up any blocks of fertilizer which have become cemented together.

The amount of fertilizer sown will vary with the moisture content and quality of the fertilizer.

4.13 Rear Wheel Swivel And Adjustment

Both rear wheels are designed to swivel 90° for the purpose of transporting drills endways. Adjusting bolts are provided for aligning wheels in transport position as well as in forward position. Transport position is most critical for tire wear due to hard surface roads and faster speeds.



CAUTION: Transporting drills with seed and fertilizer in the tanks is not recommended. If drills are moved any distance with seed or fertilizer in tanks, either in transport or field position, materials will settle around feed wheels. Before starting to seed, operator should check with a wrench on drive end of feed wheel shaft to make sure they are free to turn. Shaft may be turned either clockwise or counterclockwise with openers in raised position.



WARNING: Maximum transport speed should never exceed 20 M.P.H., and should be less where conditions demand.

4.14 Transporting The Grain Drill

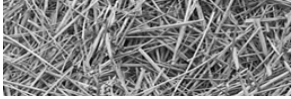
The rear wheels swivel 90° to transport the drill end ways with the optional end hitch. These wheels must be carefully aligned before transporting the drill because of the hard surfaces.

To rotate the rear wheels:

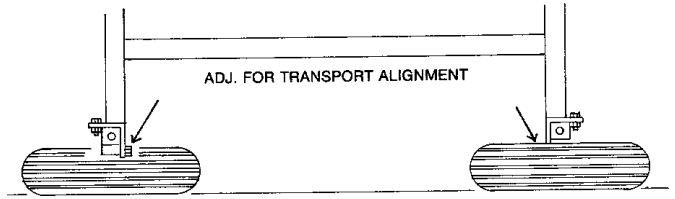
1. Use the hydraulic system to lower the openers onto solid soil or use a jack to raise the drill frame and remove the weight from the rear wheels.
2. Remove the lock bolts from each wheel.
3. Rotate the wheels 90° and insert the lock bolts.



NOTE: Step 4 covers alignment of the wheels. Once this adjustment is set, it should not normally be necessary to readjust it.



4. Using a string, align the wheels as shown. Adjust and secure the stop bolts.
5. Tighten the lock bolts.
6. Raise the openers or remove the jack. Secure the torque bar in the transport position with the safety stop bar.

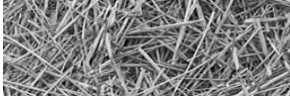


rear wheel alignment - transport position

7. After the tractor is hitched to the end hitch, move the drill ahead slowly until the front swivel wheels are properly positioned.

rotating the wheels for drilling (wheel shown in drilling position)





4.15 Preparing For Storage

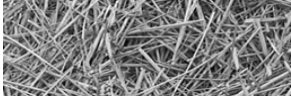
To prepare the 107 Drill for storage, perform the following steps:

1. Install safety stop bar to keep planting units off the ground and to minimize rusting. Before drill is stored, clean out slides should be opened to remove as much seed and fertilizer as possible. Both tanks should be flushed out thoroughly to prevent any caking of seed or fertilizer. Open and close slides while flushing to allow any fertilizer that might be under the calibration slide to work its way free. Fertilizer can be damaging if left in contact with metal parts for a prolonged period.
2. Clean all mud, dirt, grease and other foreign material from the exterior of the machine. Wash the complete machine. Repaint places where bare metal is exposed - this will inhibit rusting.
3. After inside of the tank is thoroughly dry, apply a coat of oil or diesel fuel to calibration slide, bearings and other parts that have been in contact with fertilizer or seed.
4. Remove the chains and wash them in solvent. Using a clean cloth, wipe off the chains. Soak the chains in engine oil. Drain off the excess oil and install the chains on the grain drill.
5. Coat all chains and exposed hydraulic cylinder rod with a Valvoline Tectyl 506 oil or equivalent.
6. Lubricate machine thoroughly according to the lubrication instructions.
7. Drain water from ballast tanks, if installed.
8. If possible, store the machine in a dry, protected place. If it is necessary to store the machine outside, cover it with plastic, waterproof canvas, or other suitable protective material.
9. Check the machine for any worn or broken parts. By ordering parts now, you will avoid delays when it is time to remove the machine from storage. When ordering parts always specify machine serial number and the part number of the replacement part. Part numbers can be found in the Parts List Manual.

4.16 Removing From Storage

To remove the 107 Drill from storage, perform the following steps:

1. Remove all protective coverings.



Section 5: Lubrication

All 107 Grain Drills are completely serviced at the factory before shipping. However, the operator should make a check of all grease fittings on the unit before beginning to operate it so as to become familiar with their location and the correct service schedule.

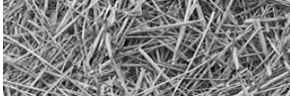
Use only a high quality, multi-purpose grease when lubricating the unit. Make sure all fittings and the nozzle of the grease applicator are clean before applying the grease. If any grease fittings are missing, replace them immediately.

Lubricating of all pillow block and flange-type self-aligning ball or roller bearings should be done slowly to help prevent bearing seal damage. Use caution when using a high pressure, high volume gun.

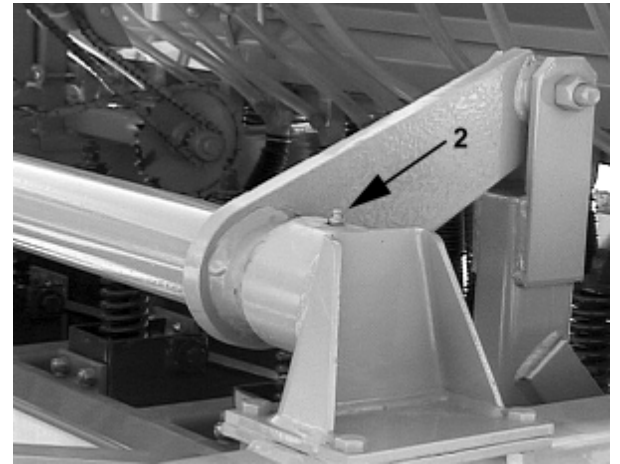
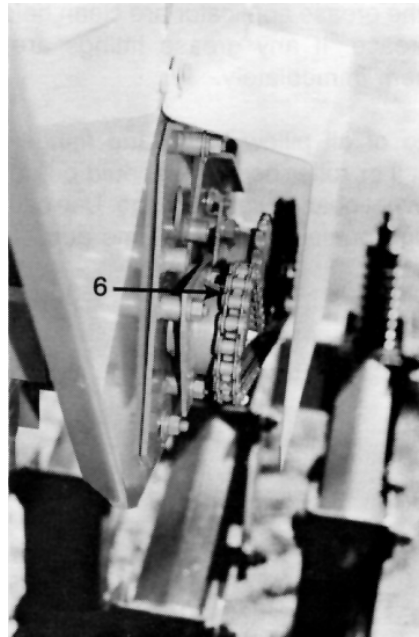
Description	Type	Frequency	No. Zerks
1. Swivel Wheel Pivot	Grease	20 Hrs.	2
2. Torque Tube Bushings	Grease	40 Hrs.	2
3. Universal Joints	Grease	40 Hrs.	2
4. Square Drive Line	Grease	40 Hrs.	1
5. Feed Wheel Shaft	Grease	100 Hrs.	6
6. Roller Chains	Oil	Daily In Dusty Conditions	
7. Tool Bar Bushing	Grease	20 Hrs.	2
8. Lift Arm Bushing	Grease	20 Hrs.	2
9. Lift Arm	Grease	20 Hrs.	2
10. Drive Wheel Frame	Grease	20 Hrs.	2
11. Packer Wheel Bearings and Coulter-Disk Bearings are Non-Relubable.			

swivel wheel pivot
lubrication zerk

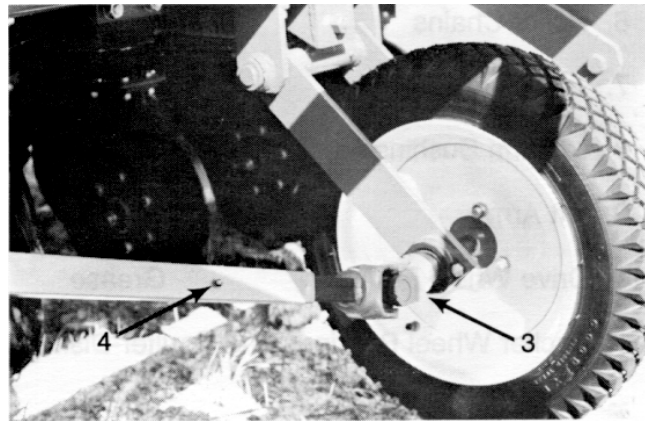




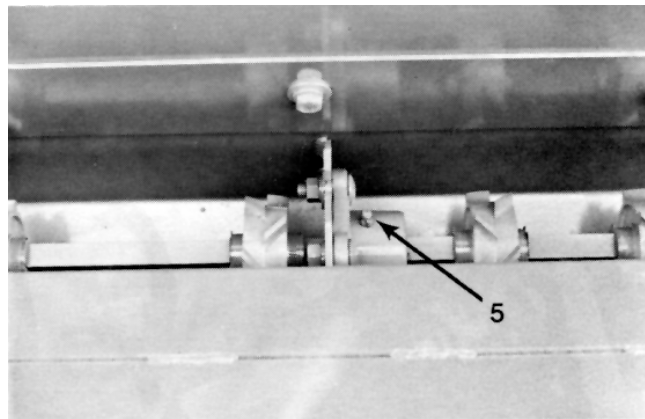
torque tube bushings
lubrication points

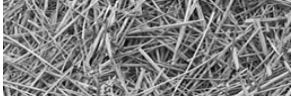


universal joints and
square drive line
lubrication zerk

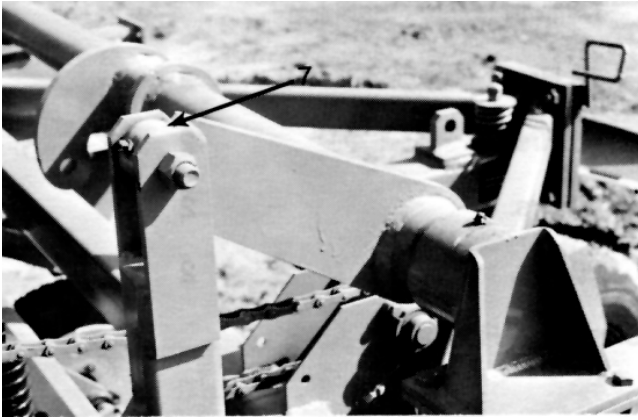


feed wheel shaft
lubrication zerk

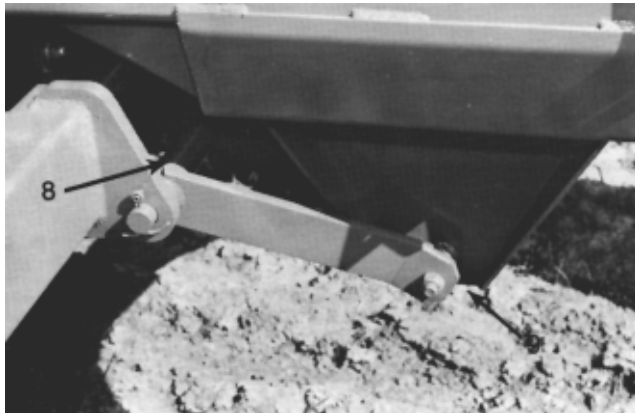




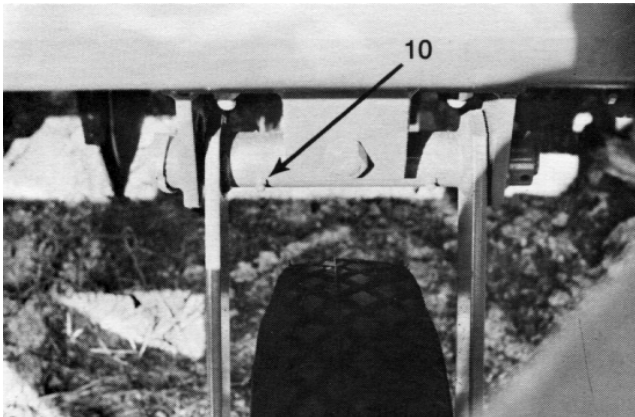
tool bar bushing
lubrication zerk



lift arm bushing
lubrication zerk

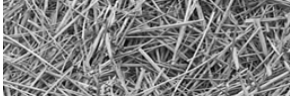


drive wheel frame
lubrication zerk



roller chains lubrication





APPENDIX A: WARRANTY

Duratech Industries International, warrants to the original purchaser for one year from purchase date that this product will be free from defects in material and workmanship when used as intended and under normal maintenance and operating conditions. This warranty is limited to the replacement of any defective part or parts returned to our factory in Jamestown, N.D., within thirty (30) days of failure.

This warranty shall become void if in Duratech Industries International's judgment the machine has been subject to misuse, negligence, alterations, damaged by accident or lack of required normal maintenance, or if the product has been used for a purpose for which it was not designed.

All claims for warranty must be made through the dealer which originally sold the product and all warranty adjustments must be made through same.

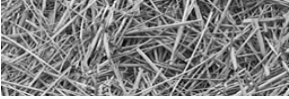
This warranty does not apply to tires or bearings or any other trade accessories not manufactured by Duratech Industries International. Buyer must rely solely on the existing warranty, if any, of these respective manufacturers.

Duratech Industries International shall not be held liable for damages of any kind, direct, contingent, or consequential to property under this warranty. Duratech Industries International cannot be held liable for any damages resulting from causes beyond its control. Duratech Industries International shall not be held liable under this warranty for rental costs or any expense or loss for labor or supplies.

Duratech Industries International reserves the right to make changes in materials and/or designs of this product at any time without notice.

This warranty is void if Duratech Industries International does not receive a valid warranty registration card at its office in Jamestown, N.D., within 10 days from date of original purchase.

All other warranties made with respect to this product, either expressed or implied, are hereby disclaimed by Duratech Industries International.



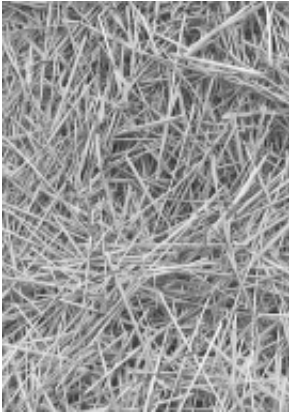
APPENDIX B: SPECIFICATIONS

General Specifications:

7" SPACING	10" SPACING
Overall Width:	123 Inches
Seeding Width:	126 Inches
End Transport Width:	155 Inches
Height:	73 Inches
Weight:	3,850 Lbs.
Tire Size: Front -	9.5L x 14 Flotation, 44 PSI
Rear -	7.60 x 15, 32 PSI
Drive-	4.8 x 12 4-Ply, 34 PSI
Hopper Capacity:	
Grain - Front	14 Bu.
Granulated Fertilizer	1,100 Lbs. (Rear)
Grain - Front & Rear	28 Bu.
Feed System:	Infinitely Adjustable Meter
Hoses:	Rubber Convolutated
Row Spacing:	7 Inches
Openers: Double Disc	14 Inches
Press Wheels:	Standard - Steel Optional - Double Press 1x12 Optional - Twin Rib 4x12

Optional Equipment:

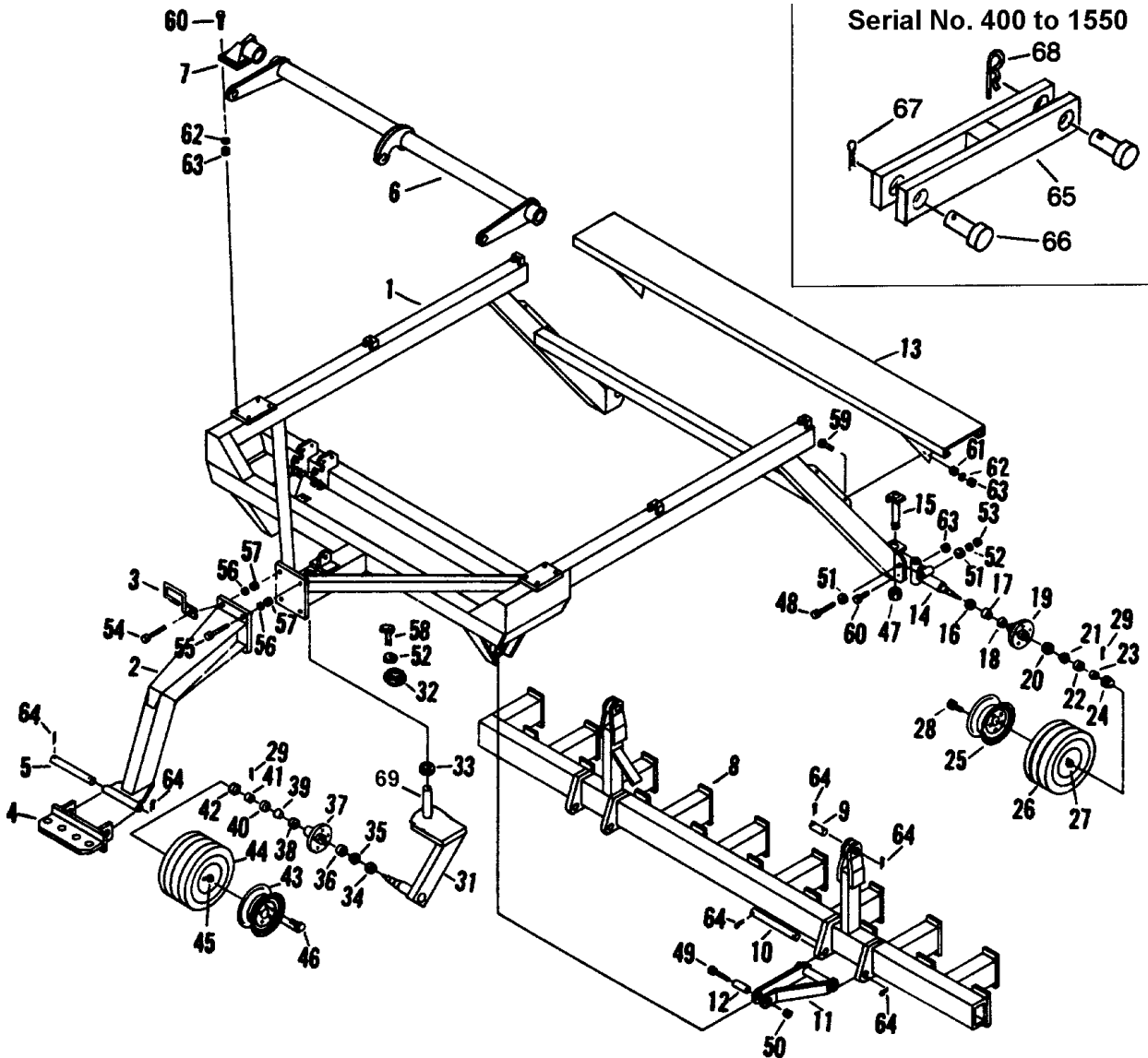
1-2-3-4 Drill Hitch and Components
 Acre Counter
 Hitch Winch
 Ballast Tanks
 End Hitch
 Stabilizer - Front and Rear
 Legume Box
 Native Grass Kit
 Gauge Wheels
 False Bottom



107 DRILLTM

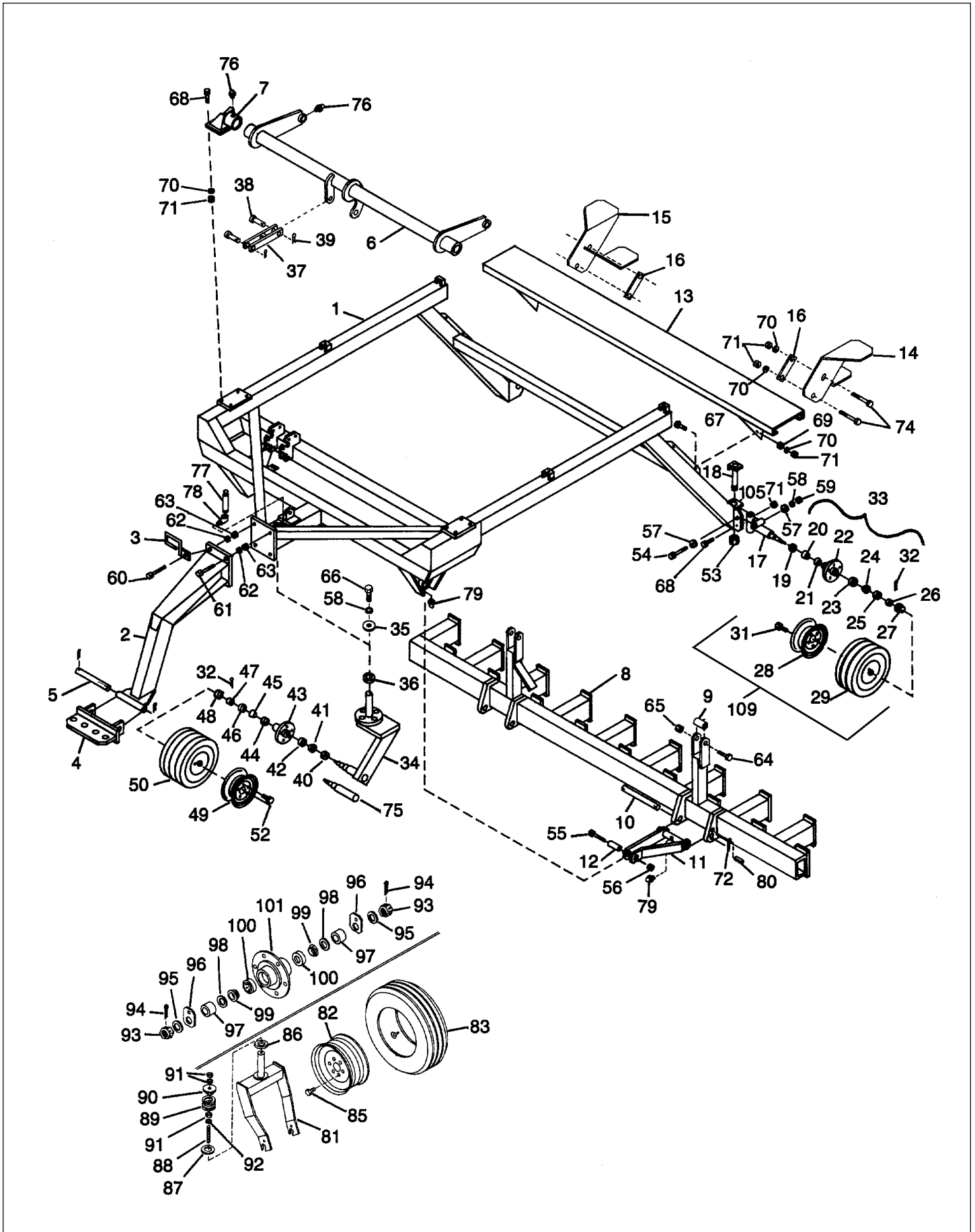
SERIAL NUMBER UP TO 4426

Part 2:
Parts Reference

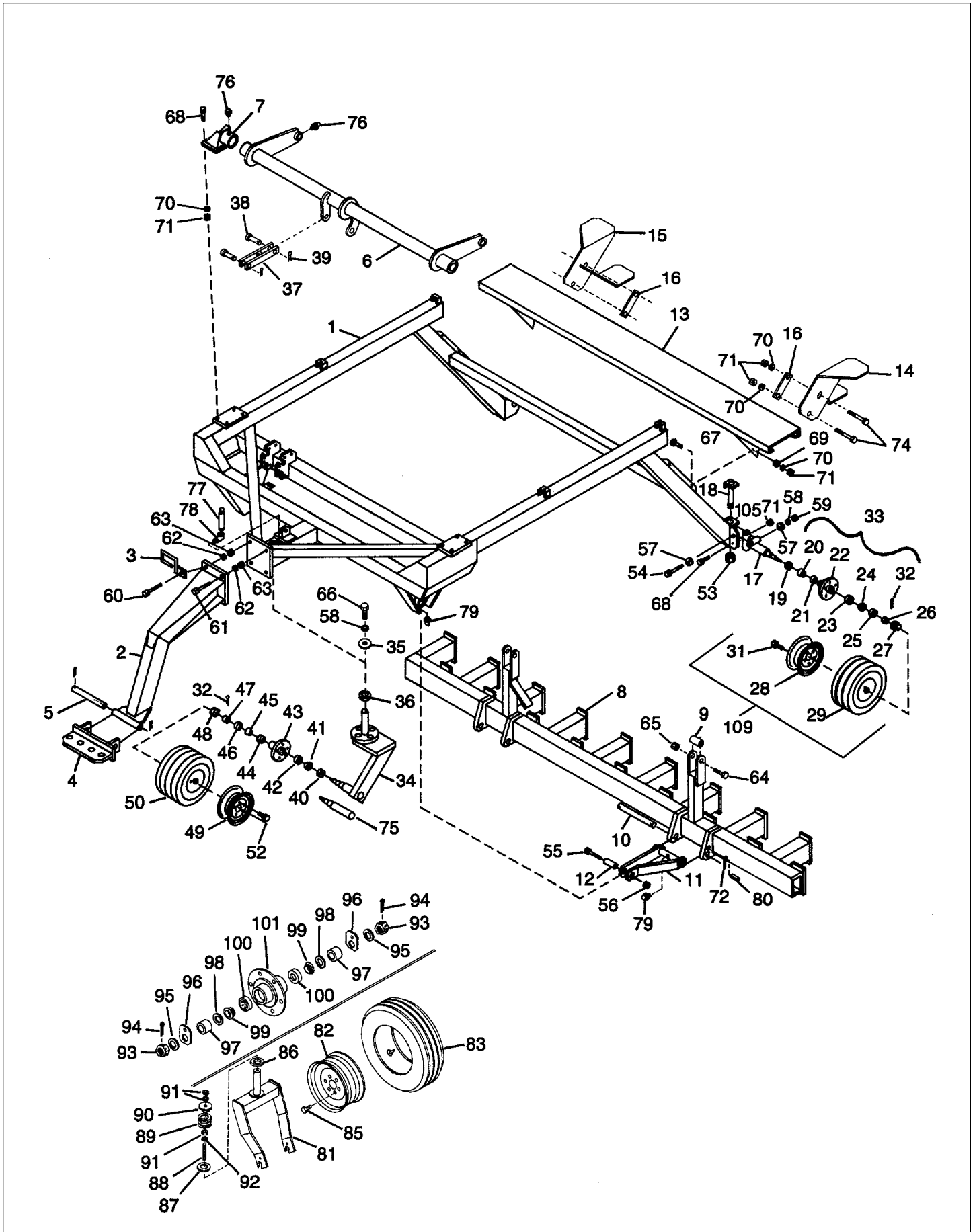


ITEM	PART NO.	QTY.	DESCRIPTION
1	8400031	1	Main Frame
2	8400032	1	Goose Neck
3	8400033	1	Hose Minder
4	8400034	1	Hitch Block
5	8400417	1	Hitch Block Pin, 1" x 10"l
6	8400035	1	Torque Tube
7	8400036	2	Torque Tube Pivot
8	8400037	1	Tool Bar 7" Spacing
9	8400418	2	Lift Arm Pin, 1" x 2-7/8"
10	8400419	2	Lift Arm Pin, 1" x 11-1/4"
11	8400038	2	Lift Arm
12	8400039	2	Lift Arm Bushing, 1" O.D. x 5/8" I.D., 2-1/8" Long
13	8400040	1	Walk Way
14	8400041	2	Rear Wheel Spindle
15	8400042	2	Rear Wheel Pivot Bolt
16	2900014	2	Grease Seal
17	2900015	2	Cone - Inner 1-3/8" Bore
18	2900016	2	Cup - Inner

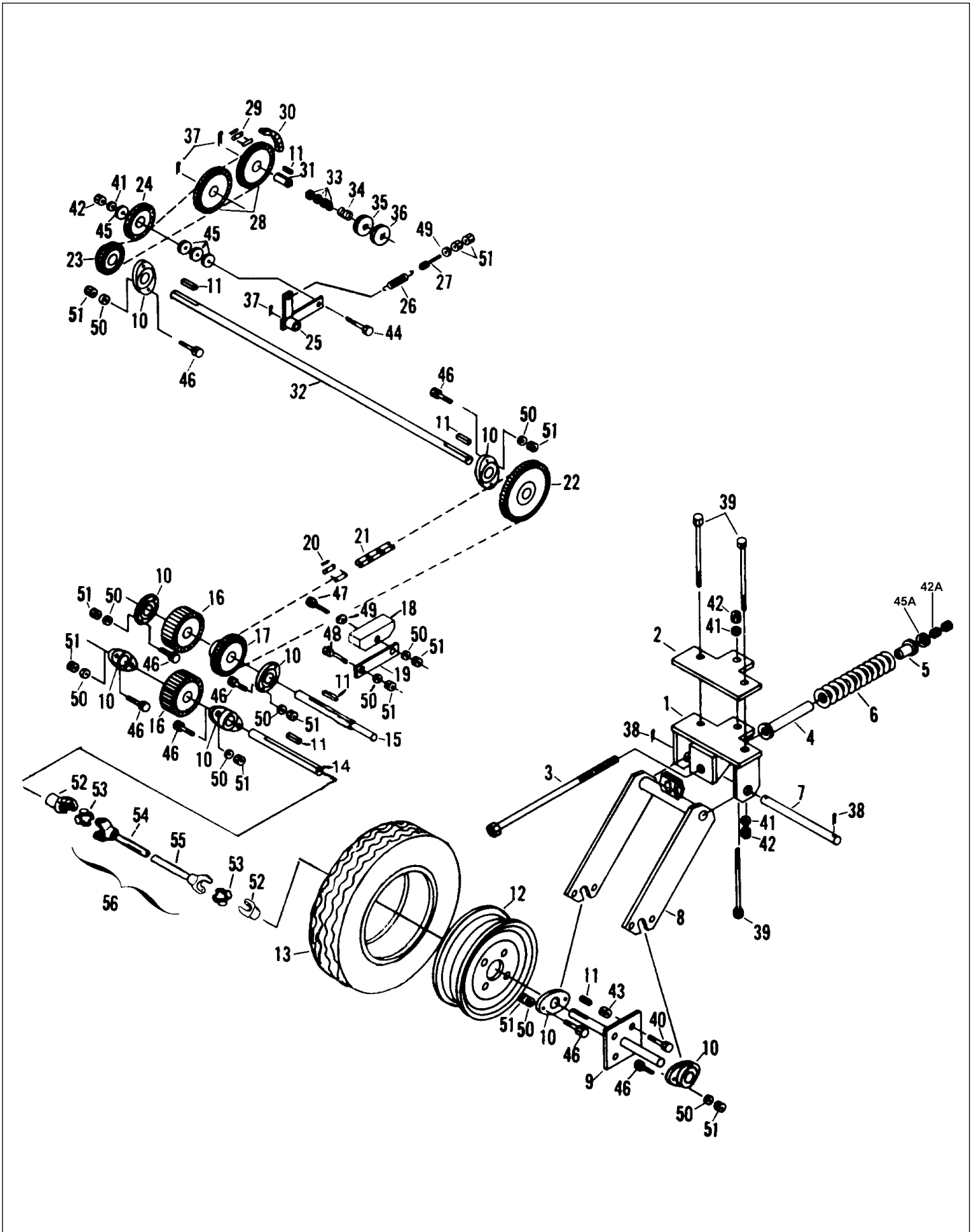
ITEM	PART NO.	QTY.	DESCRIPTION
19	2900039	2	Hub - 5 Bolt
20	2900004	2	Cup- Outer
21	2900018	2	Cone - Outer
22	5000055	2	Washer
23	4900054	2	Nut, 7/8"14 NF
24	2900013	2	Dust Cap
25	2600606	2	Wheel, 15 x 5 Bolt
26	2600008	2	Tire, 7:60 x 15 - 8 Ply Imp.
27	2600406	2	Tube, 15"
28	2900012	10	Wheel Nut
29	4800044	3	Cotter Pin 5/32 x 1-1/2
30	2900011	1	Hub (Complete w/Dust Cap)
31	8400043	1	Swivel Wheel Frame
32	8400044	1	Swivel Wheel Retainer Washer, 3" O.D. x 5/8" I.D.
33	8100055	1	Thrust Washer
34	2900008	1	Grease Seal
35	2900007	1	Cone - Inner
36	2900006	1	Cup- Inner
37	2900068	1	Hub - 6 Bolt
38	2900004	1	Cup- Outer
39	2900018	1	Cone - Outer
40	5000056	1	Washer Spindle 1"
41	4900055	1	Nut Castle 1" NF
42	2900013	1	Dust Cap
43	2600601	1	Wheel, 14" 6 Bolt
44	2600013	1	Tire, 9.5L x 14"
45	2600406	1	Tube, 14"
46	2900012	6	Wheel Bolts
47	4900015	2	1" NC Lock Nut
48	4800158	2	5/8" x 4-1/2" Hex Bolt
49	4800100	2	5/8" x 4" Hex Bolt
50	4900012	2	5/8" Lock Nut
51	5000002	4	5/8" Flat Washer
52	5000003	3	5/8" Lock Washer
53	4900005	2	5/8" Hex Nut
54	4800017	1	3/4" x 3" Hex Bolt
55	4800115	2	3/4" x 2-1/2" Hex Bolt
56	5000012	4	3/4" Lock Washer
57	4900004	4	3/4" Hex Nut
58	4800106	1	5/8"x 1-1/2" Hex Bolt
59	4800018	4	1/2"x 1-1/4" Hex Bolt
60	4800082	10	1/2"x 1-1/2" Hex Bolt
61	5000004	4	1/2" Flat Washer
62	5000006	12	1/2" Lock Washer
63	4900001	14	1/2" Hex Nut
64	4800157	10	3/16"x 2" Cotter Keys
65	8400103	1	Hold Up Bar (Transport)
66	4800035	2	3/4" x 2 Clevis Pin
67	4800044	1	5/32 x 1-1/2 Cotter Key
68	4800107	1	1/8 Hair Pin
69	7500186		Bush\2"IDx2-1/4"ODx2-1/2"L
	D1012842		MNT\WHL\SWVL\FRMMN



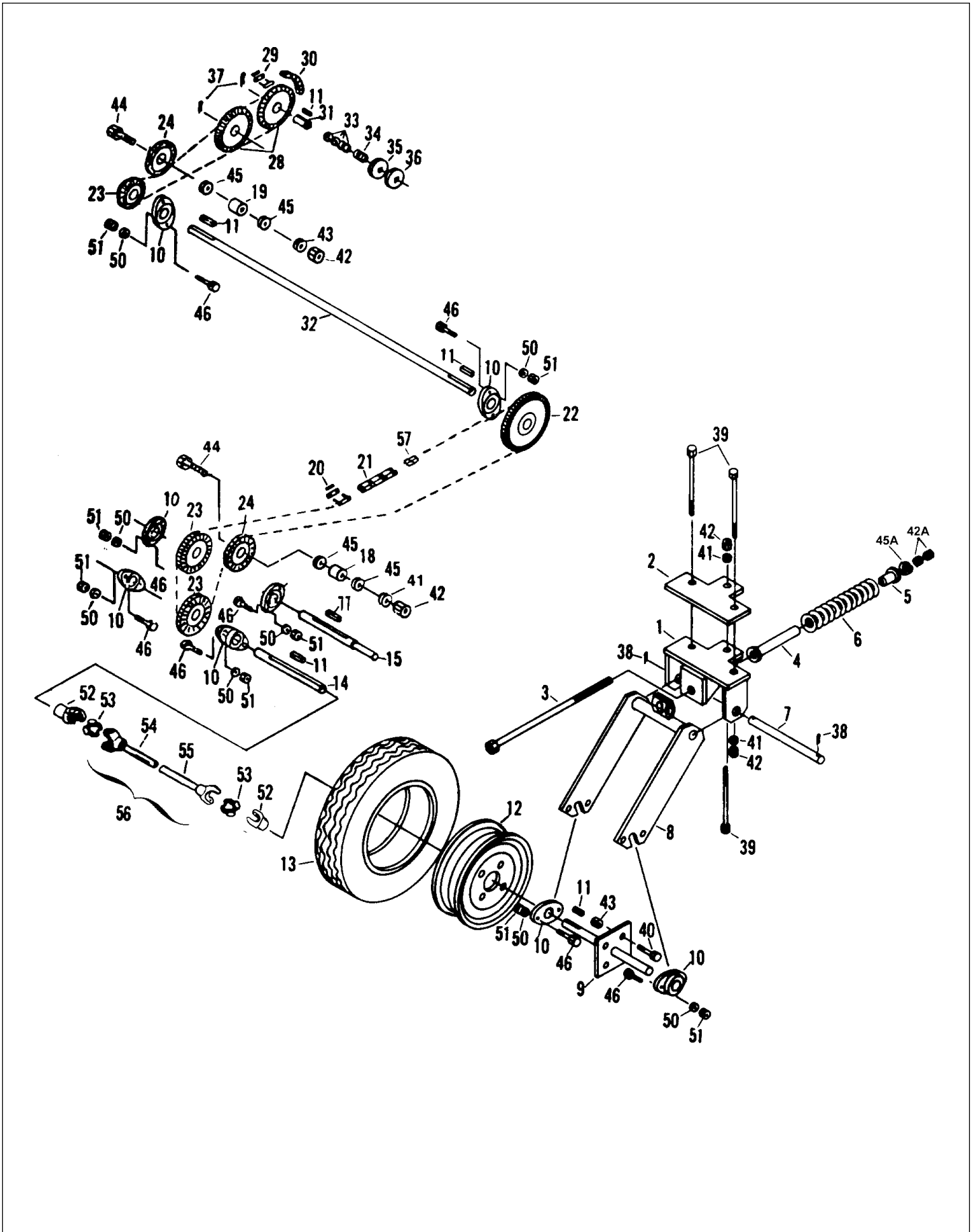
ITEM	PART NO.	QTY.	DESCRIPTION
1	8400031	1	Main Frame
2	8400032	1	Goose Neck
3	8400033	1	Hose Minder
4	8400034	1	Hitch Block
5	8400417	1	Hitch Block Pin 1" x 10"
6	8400272	1	Torque Tube
7	8400036	1	Torque Tube Pivot
8	8400273	1	Tool Bar 7" Spacing
9	8400150	2	Tool Bar Bushing 1-1/4" O.D. x 3/4" I.D. x 2" Long
10	8400419	2	Lift Arm Pin 1" x 11-1/4"
11	8400038	2	Lift Arm
12	8400039	2	Lift Arm Bushing 1" O.D. x 5/8" I.D. x 2-1/8" Long
13	8400040	1	Walk Way
14	8400131	1	Rear Step L.H.
15	8400130	1	Rear Step R.H.
16	8400132	2	Rear Step Strap
17	8400041	2	Rear Wheel Spindle
18	8400042	2	Rear Wheel Pivot Bolt
19	2900014	2	Grease Seal
20	2900015	2	Cone - Inner 1-3/8 Bore
21	2900016	2	Cup - Inner
22	na	2	Hub - 5 Bolt order 2900011
23	2900004	2	Cup - Outer
24	2900018	2	Cone - Outer
25	5000055	2	Washer\Spindle\7/8
26	4900054	2	Nut 7/8" 14" NF
27	2900013	2	Dust Cap
28	2600606	2	Wheel 15 x 5 - 5 Bolt
29	2600008	2	Tire 7.60 x 15-4 Ply Imp
31	2900012	10	Wheel Bolt
32	4800044	3	Cotter Pin 5/32 x 1-1/2
33	2900011	1	Hub (Complete w/Dust Cap) includes 19, 20, 21, 22, 23, 24, 27, & 31
34	8400043	1	Swivel Wheel Frame
35	8400044	1	Swivel Wheel Retainer Washer
36	2000032	1	Thrust Bearing T-199
37	8400103	1	Hold Up Bar (Transport)
38	4800527	2	3/4" x 2" Clevis Pin
39	4800107	1	1/8" Hair Pin
40	2900008	1	Grease Seal
41	2900007	1	Cone - Inner
42	2900006	1	Cup - Inner
43	na	1	Hub - 6 Bolt
43A	2900069	1	Hub Assembly - Complete includes 40, 41, 42, 43, 44, 45, 48, & 52
44	2900004	1	Cup - Outer
45	2900018	1	Cone - Outer
46	5000056	1	Washer
47	4900055	1	Nut
48	2900048	1	Dust Cap
49	2600601	1	Wheel 14" 6" Bolt
50	2600013	1	Tire 9.5L x 14"
52	2900010	6	Wheel Bolts
53	4900015	2	1" NC Lock Nut
54	4800158	2	5/8" x 4-1/2" Hex Bolt
55	4800100	4	5/8" x 4" Hex Bolt
56	4900012	4	5/8" Lock Nut
57	5000002	4	5/8" Flat Washer
58	5000003	3	5/8" Lock Washer



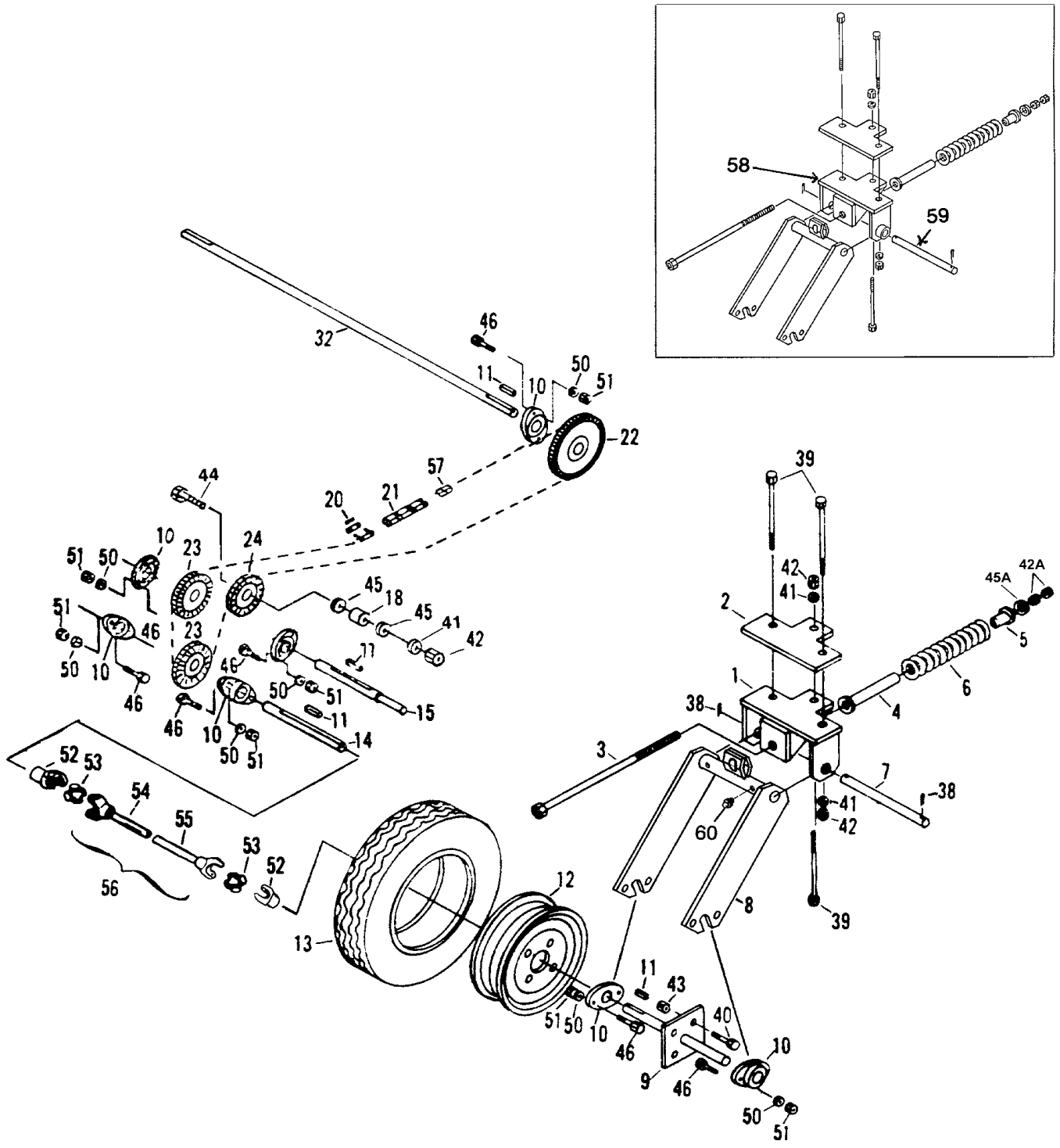
ITEM	PART NO.	QTY.	DESCRIPTION
59	4900005	2	5/8" Hex Nut
60	4800017	1	3/4" x 3" Hex Bolt
61	4800115	3	3/4" x 2-1/2" Hex Bolt
62	5000012	4	3/4" Lock Washer
63	4900004	4	3/4" Hex Nut
64	4800063	2	3/4" x 4" Bolt
65	4900139	2	3/4" Lock Nut Grade 8
66	4800106	1	5/8" x 1-1/2" Hex Bolt
67	4800018	4	1/2" x 1-1/4" Hex Bolt
68	4800082	12	1/2" x 1-1/2" Hex Bolt
69	5000004	4	1/2" Flat Washer
70	5000006	18	1/2" Lock Washer
71	4900001	20	1/2" Hex Nut
72	4800157	6	3/16" x 2" Cotter Key
73	4800044	1	5/32" x 1-1/2" Cotter Key
74	4800141	4	1/2" x 4-1/2" Hex Bolt
75	3000002	1	Spindle
76	3800041	4	1/8" Pipe Straight Zerk
77	3800126	1	1/8" x 2-5/8" Straight Zerk
78	3800111	1	1/8" 90° Straight Elbow
79	3800082	4	1/4" Tapered Straight Zerk (Serial No. 2672 and Up)
80	4800279	2	1/4" x 1-1/4" Rolled Pin (Serial No. 2672 and Up)
81	8400283	1	Swivel Wheel Fork
82	2600601	1	Wheel 14" x 6" 6 Bolt
83	2600013	1	Tire 9.5L x 14
82 & 83	2600825		WHL\IMP\9.5X14\TIRE & RIM
85	2900083	6	Wheel Bolt Nut 9/16"
86	5000075	1	3" O.D. x 2-1/16" I.D. x 1/4" Washer
87	5000032	1	2" I.D. x 10 Ga. Washer
88	8400282	1	5/8" x 4" Threaded Rod
89	6100044	1	Spring
90	8400281	1	Swivel Wheel Retarder Cap
91	4900005	3	5/8" Nut
92	5000003	1	5/8" Lock Washer
93	4900115	2	1" Castle Nut
94	4800157	2	3/16" x 2" Cotter Key
95	5000056	2	1" Spindle Washer
96	8800021	2	Spindle Keeper
97	2900084	2	Spacer
98	2900085	2	Seal
99	2900086	2	Cone 2788
100	2900087	2	Cup 2720
101	na	1	Hub order 2900089
102	2900089	1	Hub Assembly includes 98, 99, & 100
103	3000018	1	Spindle (Not Shown)
104	2900090	6	9/16 x 2-1/4 Stud Bolt
105	8400349	2	Rear Wheel Pivot Mount
106	8400611	1	MNT\GEAR\DRV\WLDMNT\RH
107	8400612	1	MNT\GEAR\DRV\WLDMNT\LH
108	8400450	1	King Pin 2" O.D. x 11-1/2" Hardened
109	2600834		WHL\IMP\7.60X15\TIRE&RIM
110	8400684	1	HITCH\FRM\MAIN\SVB\107



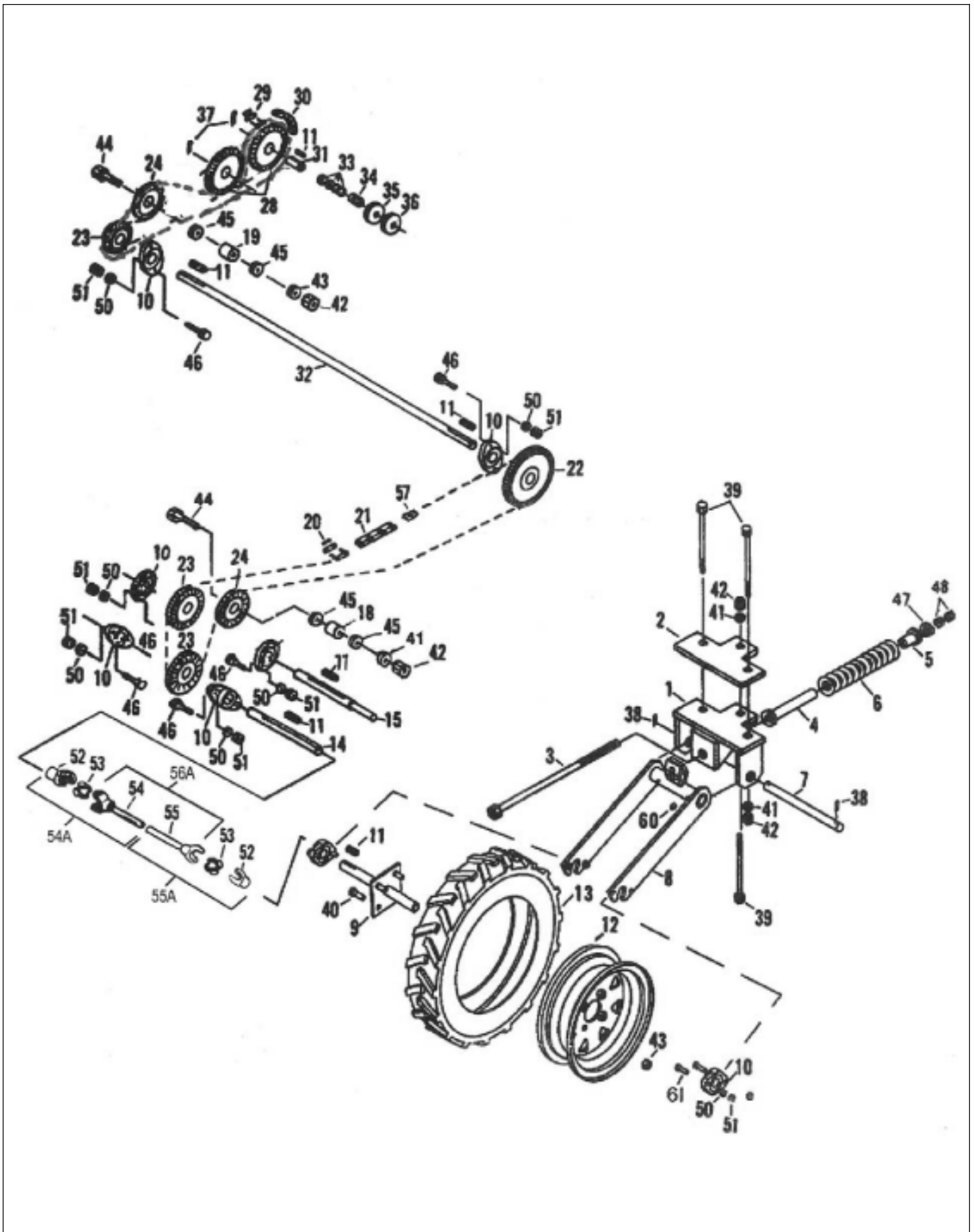
ITEM	PART NO.	QTY.	DESCRIPTION
1	8400310	1	Drive Wheel Frame
2	8400023	1	Drive Wheel Mount Plate
3	8400024	1	Drive Wheel Spring Rod
4	8400025	1	Spring Guide (Long)
5	8400026	1	Spring Guide (Short)
6	6100032	1	Spring
7	8400442	1	Pin, 1" x 10-1/2"
8	8400027	1	Drive Wheel Fork
9	8400414	1	Drive Wheel Shaft
10	2000310	8	1" Cast Flangette
11	6200005	7	1/4" Key, 1-1/2"
12	2600618	1	Wheel, 12" - 4 Bolt
13	2600014	1	Tire, 4.80 x 12
14	8400415	1	1st Shaft, 1" x 8-3/4"
15	8400416	1	2nd Shaft, 1" x 10"
16	1000096	2	15 Tooth Gear
17	1000067	1	50-16 Sprocket 1/4 KW
18	2000016	1	Idler Block
19	8400028	1	Idler Block Mount
20	1100111	1	2050 Conn. Link
21	1100152	1	2050 Chain, 84 Links
22	1000012	1	Spkt/50/30/1/Idler/Soft/1/4" KW
23	1000074	1	Spkt/50/15/1/Ext; Hub/1/4" KW
24	1000039	1	Idler Sprocket - 15 Tooth 50/15/1/2
25	8400029	1	Idler Sprocket Arm
26	6100004	1	Spring
27	8400030	1	Tightener Bolt
28	1000013	2	5024 Sprocket 1-1/4 x 1/4 KW
29	1100059	1	#50 Conn. Link
30	1100006	1	#50 Chain, 73 Links w/CL
31	7400250	2	Sq. Hole Sleeve w/K.W. 2-1/8"
32	8400421	1	Shaft, 1" x 39-1/4"
33	5000027	8	Washers, 1-3/8" O.D. x 7/8" I.D. x 18 Ga.
34	6100016	2	Springs
35	5000013	2	Steel Washer, 5/8" Sq. Hole
36	5000028	2	Nylon Washer, 5/8" Sq. Hole
37	4800123	3	1/8" x 1-1/2" Cotter Key
38	4800157	2	3/16" x 2" Cotter Key
39	4800080	3	1/2" x 7" Hex Bolt
40	4800082	4	1/2" x 1-1/2" Hex Bolt
41	5000006	3	1/2" Lock Washer
42	4900001	3	1/2" Hex Nut
42A	4900005	2	5/8" Hex Nut
43	4900014	4	1/2" Lock Nut
44	4800070	1	1/2" x 2-1/2" Hex Bolt
45	5000004	4	1/2" Flat Washer
45A	5000002	1	5/8" Flat Washer
46	4800098	16	3/8" x 1-1/4" Hex Bolt
47	4800029	1	3/8" x 2-1/2" Hex Bolt
48	4800003	1	3/8" x 1" Hex Bolt
49	5000001	2	3/8" Flat Washer
50	5000019	18	3/8" Lock Washer
51	4900002	20	3/8" Hex Nut
52	3600103	2	GRW, 1" Yoke
53	3600008	2	GRW Cross & Brg.
54	3600105	1	LGW Tube w/Yoke
55	3600106	1	LGW Shaft w/Yoke
56	3600102	1	LGW Power Shaft Comp.
54A	3600254	1	Female Half G & G
55A	3600253	1	Male Half G & G
56A	3600241	1	G & G Power Shaft Comp



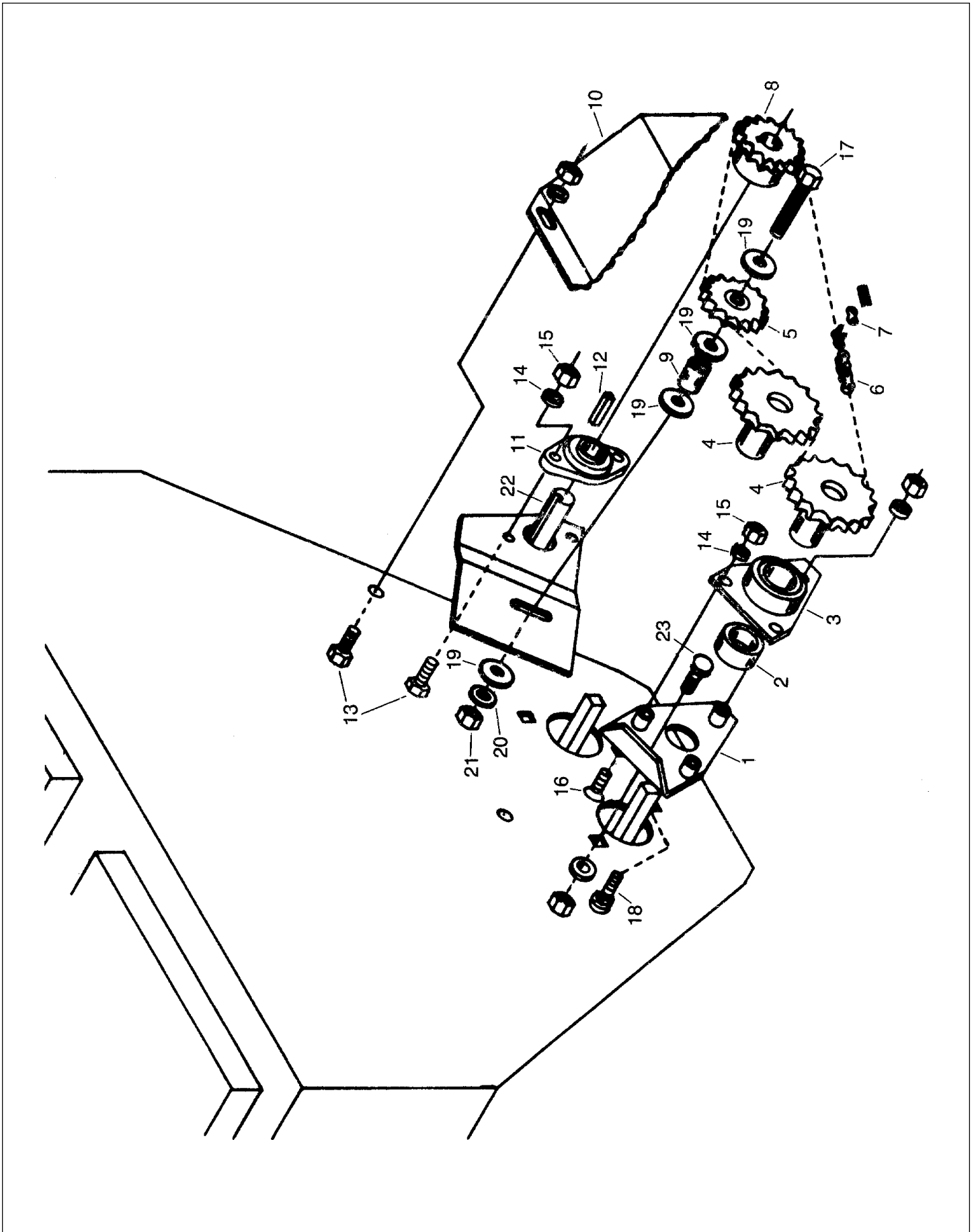
ITEM	PART NO.	QTY.	DESCRIPTION
1	8400310	1	Drive Wheel Frame
2	8400023	1	Drive Wheel Mount Plate
3	8400024	1	Drive Wheel Spring Rod
4	8400025	1	Spring Guide (Long)
5	8400026	1	Spring Guide (Short)
6	6100032	1	Spring
7	8400442	1	Pin, 1" x 10-1/2"
8	8400027	1	Drive Wheel Fork
9	8400414	1	Drive Wheel Shaft
10	2000310	8	1" Cast Flangette
11	6200005	7	1/4" Key, 1-1/2"
12	2600618	1	Wheel, 12" - 4 Bolt
13	2600014	1	Tire, 4.80 x 12
14	8400415	1	1st Shaft, 1" x 8-3/4"
15	8400416	1	2nd Shaft, 1" x 10"
18	8400058	1	Spacer, 1" x 1" O.D.
19	8400059	1	Spacer, 3/4" x 1" O.D.
20	1100111	1	2050 Conn. Link
21	1100152	1	2050 Chain, 84 Links
22	1000062	1	5036 Sprocket 1" Sht/1/4 KW
23	1000029	3	5014 Sprocket 1" Sht/1/4 KW
24	1000039	1	Idler Sprocket - 15 Tooth 50x15x1/2"
28	1000100	2	5018 Sprocket
29	1100059	1	#50 Conn. Link
30	1100006	1	#50 Chain, 73 Links w/CL
31	7400250	2	Sq. Hole Sleeve w/K.W. 2-1/8"
32	8400421	1	Shaft, 1" x 39-1/4"
33	5000027	8	Washers, 1-3/8" O.D. x 7/8" I.D. x 18 Ga.
34	6100016	2	Springs
35	5000013	2	Steel Washer, 5/8" Sq. Hole
36	5000028	2	Nylon Washer, 5/8" Sq. Hole
37	4800123	3	1/8" x 1-1/2" Cotter Key
38	4800157	2	3/16" x 2" Cotter Key
39	4800080	3	1/2" x 7" Hex Bolt
40	4800082	4	1/2" x 1-1/2" Hex Bolt
41	5000006	3	1/2" Lock Washer
42	4900001	3	1/2" Hex Nut
42A	4900005	2	5/8" Hex Nut
43	4900014	4	1/2" Lock Nut
44	4800068	2	1/2" x 3" Hex Bolt
45	5000004	4	1/2" Flat Washer
45A	5000002	1	5/8" Flat Washer
46	4800098	16	3/8" x 1-1/4" Hex Bolt
50	5000019	18	3/8" Lock Washer
51	4900002	20	3/8" Hex Nut
52	3600103	2	GRW 1" Yoke
53	3600008	2	GRW Cross & Brg.
54	3600105	1	LGW Tube w/Yoke
55	3600106	1	LGW Shaft w/Yoke
56	3600102	1	LGW Power Shaft Comp
54A	3600254	1	Female Half G & G
55A	3600253	1	Male Half G & G
56A	3600241	1	G & G Power Shaft Comp
57	1100060	2	Chain/50/OL



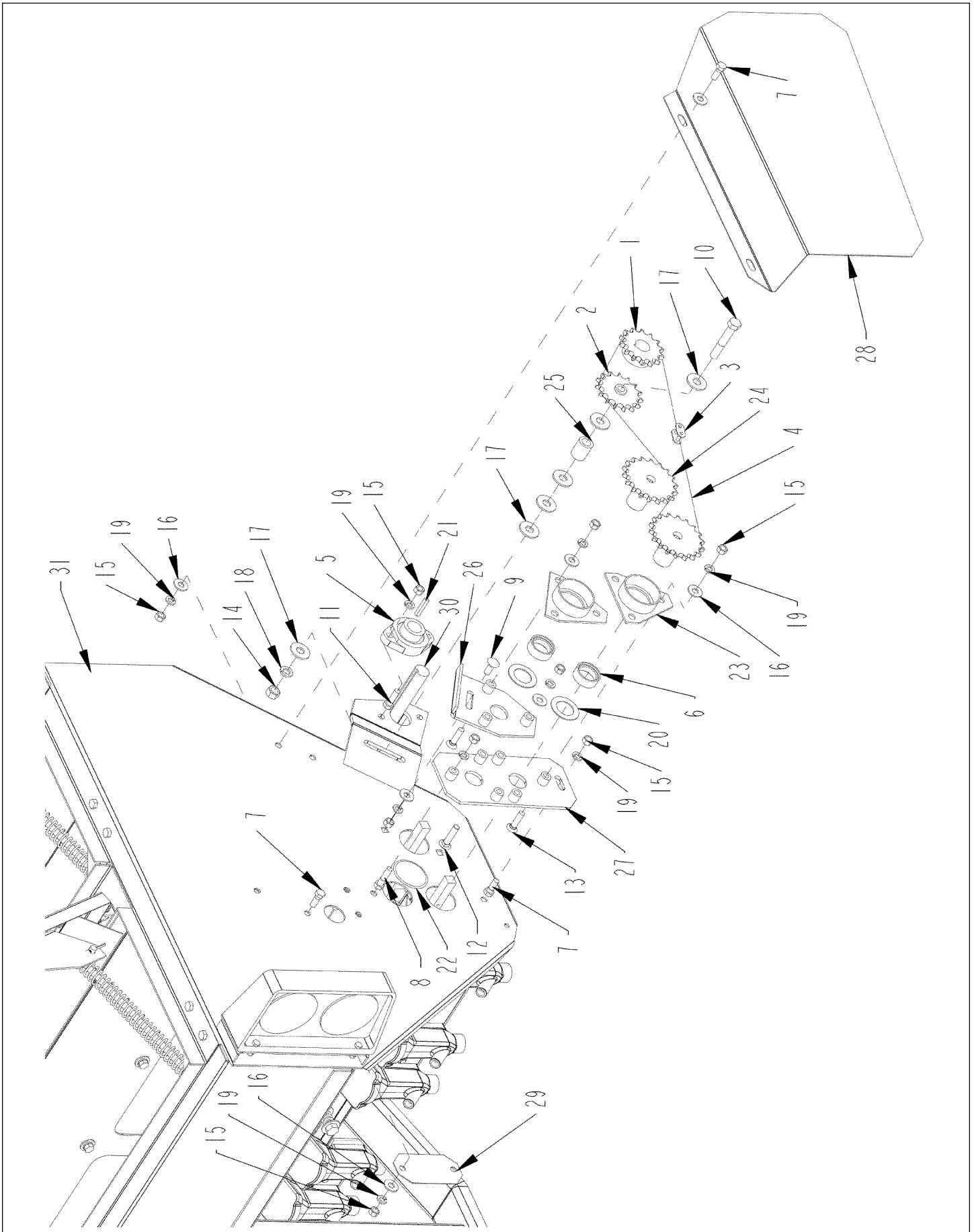
ITEM	PART NO.	QTY.	DESCRIPTION
1	8400310	1	Drive Wheel Frame
2	8400023	1	Drive Wheel Mount Plate
3	8400024	1	Drive Wheel Spring Rod
4	8400025	1	Spring Guide (Long)
5	8400026	1	Spring Guide (Short)
6	6100032	1	Spring
7	8400442	1	Pin, 1"x 10-1/2"
8	8400027	1	Drive Wheel Fork
9	8400414	1	Drive Wheel Shaft
10	2000310	8	1" Cast Flangette
11	6200005	7	1/4" Key, 1-1/2"
12	2600618	1	Wheel, 12" - 4 Bolt
13	2600014	1	Tire, 4.80 x 12
14	8400415	1	1st Shaft, 1 " x 8-3/4"
15	8400416	1	2nd Shaft, 1" x 10"
16	8400058	1	Spacer, 1" x 1" O.D.
20	1100111	1	2050 Conn. Link
21	1100152	1	2050 Chain. 84 Links w/CL
22	1000075	1	5036 Sprocket 1" Shaft 1/4 KW
23	1000029	3	5014 Sprocket 1" Shaft 1/4 KW
24	1000039	1	Idler Sprocket - 15 Tooth 50/15/1/2
25	8400421	1	Shaft, 1" x 39-1/4" (Serial No. 553 to 900)
26	8400440	1	Shaft 1" x 36" (Serial No. 900 and up)
38	4800157	2	3/16" x 2" Cotter Key
39	4800080	3	1/2" x 7" Hex Bolt
40	4800082	4	1/2" x 1-1/2" Hex Bolt
41	5000006	3	1/2" Lock Washer
42	4900001	3	1/2" Hex Nut
42A	4900005	2	5/8" Hex Nut
43	4900014	4	1/2" Lock Nut
44	4800068	2	1/2" x 3" Hex Bolt
45	5000004	4	1/2" Flat Washer
45A	5000002	1	5/8" Flat Washer
46	4800098	16	3/8" x 1-1/4" Hex Bolt
50	5000019	18	3/8" Lock Washer
51	4900002	20	3/8" Hex Nut
52	3600103	2	GRW 1" Yoke
53	3600008	2	GRW Cross & Brg.
54	3600105	1	LGW Tube w/Yoke
55	3600106	1	LGW Shaft w/Yoke
56	3600102	1	LGW Power Shaft Comp
54A	3600254	1	Female Half G & G
55A	3600253	1	Male Half G & G
56A	3600241	1	G & G Power Shaft Comp
57	1100060	2	Chain/50/OL
58	8400310	1	Drive Wheel Frame
59	8400311	1	Pin 1" x 10-1/2"
60	3800082	2	1/4" Tapered Straight Zerk (Serial No. 2672 and up)



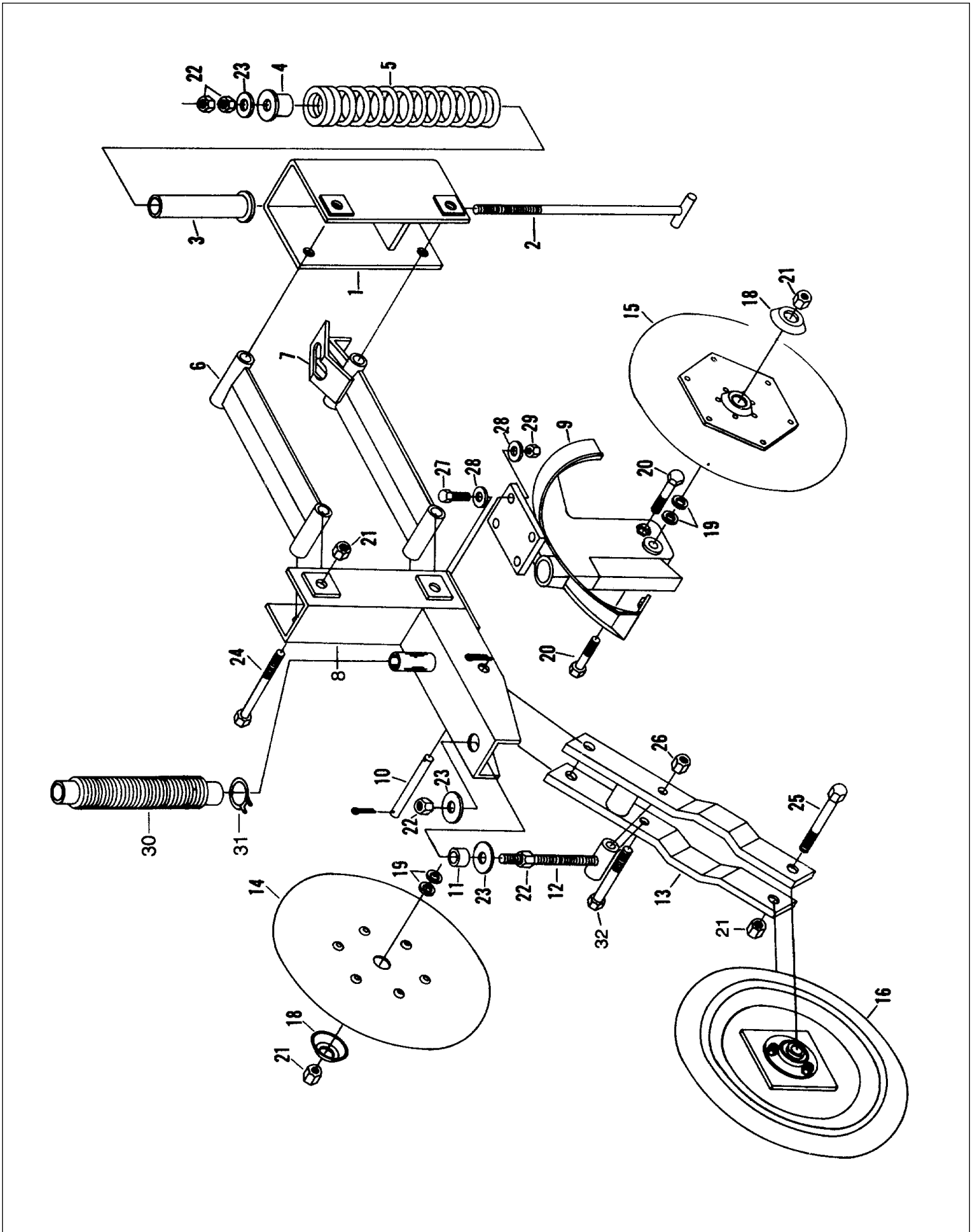
ITEM	PART NO.	QTY.	DESCRIPTION
1	8400310	1	Drive Wheel Frame
2	8400023	1	Drive Wheel Mount Plate
3	8400024	1	Drive Wheel Spring Rod
4	8400025	1	Spring Guide (Long)
5	8400026	1	Spring Guide (Short)
6	6100032	1	Spring
7	8400311	1	Pin, 1"x 10-1/2"
8	8400626		Drive Wheel Fork
9	8400414	1	Drive Wheel Shaft
10	2000310	8	1" Cast Flangette
11	6200014	7	1/4" Key, 1-1/4"
12&13	2600822	1	Wheel Asy., 4.80 x 12, 4 Bolt, Lug Tire
13	2600042	1	Tire, 4.80 x 12, Lug, 4 Ply
14	8400415	1	1st Shaft, 1 " x 8-3/4"
15	8400416	1	2nd Shaft, 1" x 10"
16	8400058	1	Spacer, 1" x 1" O.D.
20	1100230	1	A2050NP Conn. Link
21	1100238	1	A2050NP Chain. 84 Links w/CL
22	1000075	1	5036 Sprocket 1" Shaft 1/4 KW
23	1000029	3	5014 Sprocket 1" Shaft 1/4 KW
24	1000039	1	Idler Sprocket - 15 Tooth 50/15/1/2
32	8400440	1	Shaft 1" x 36" (Serial No. 900 and up)
38	4800157	1	3/16" x 2" Cotter Key
39	4800080	3	1/2" x 7" Hex Bolt
40	4800018	4	1/2" x 1-1/4" Hex Bolt
41	5000006	3	1/2" Lock Washer
42	4900001	3	1/2" Hex Nut
43	4900014	4	1/2" Lock Nut
44	4800068	2	1/2" x 3" Hex Bolt
45	5000004	4	1/2" Flat Washer
46	4800098	12	3/8" x 1-1/4" Hex Bolt
47	5000002	1	5/8" Flat Washer
48	4900005	2	5/8" Hex Nut
50	5000019	18	3/8" Lock Washer
51	4900002	20	3/8" Hex Nut
52	3600103	2	GRW 1" Yoke
53	3600008	2	GRW Cross & Brg.
54	3600105	1	LGW Tube w/Yoke
55	3600106	1	LGW Shaft w/Yoke
56	3600102	1	LGW Power Shaft Comp
54A	3600254	1	Female Half G & G
55A	3600253	1	Male Half G & G
56A	3600241	1	G & G Power Shaft Comp
57	1100228	2	Chain/50NP/OL
60	3800082	2	1/4" Tapered Straight Zerk (Serial No. 2672 and up)
61	4800034	4	3/8X1-1/2 Hex Bolt



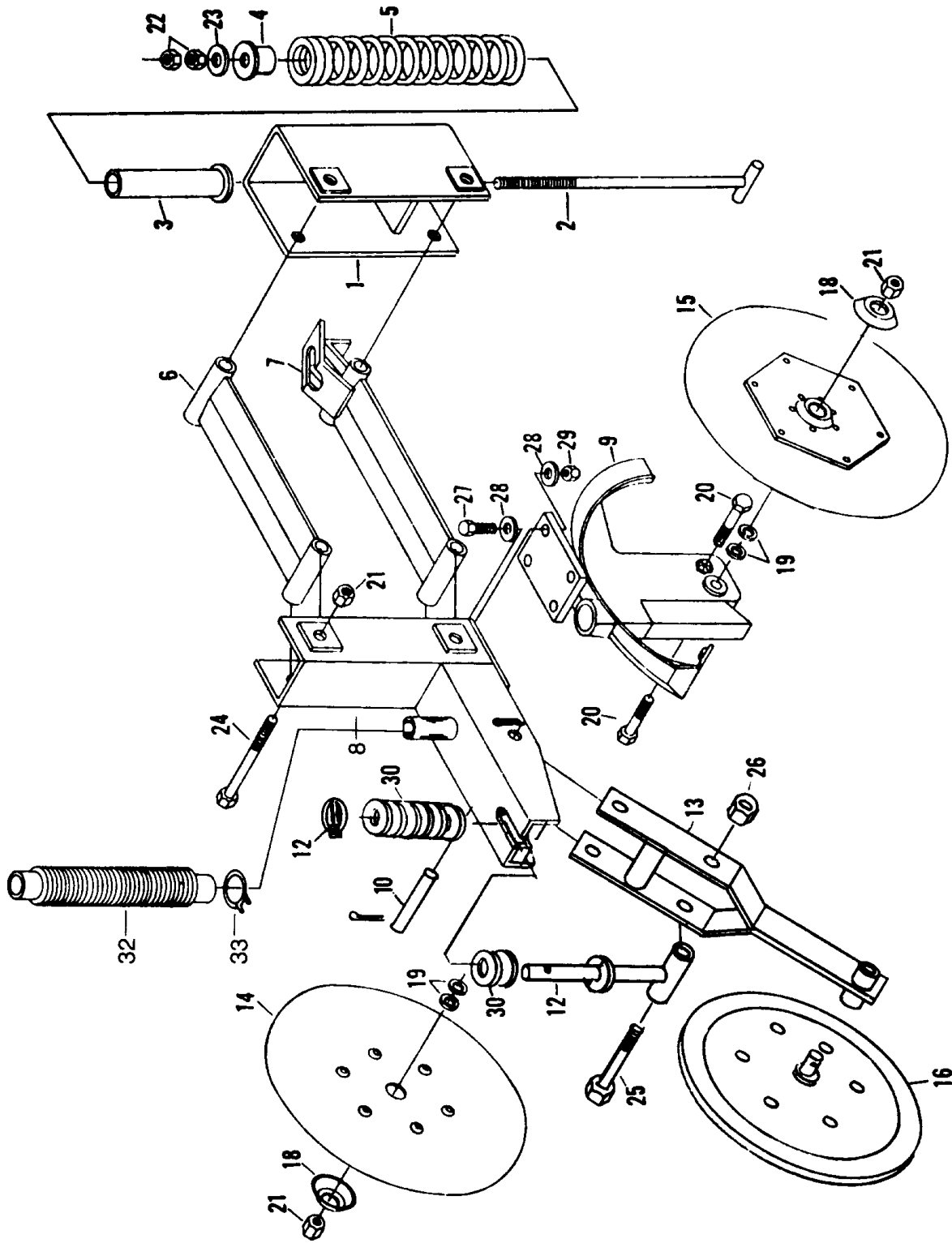
ITEM	PART NO.	QTY.	DESCRIPTION
1	8400074	2	Sealer Plate
2	2000802	2	1-1/4" I.D. Lock Collar
3	8400070	2	Bracket w/Brg. (Complete)
4	8400071	2	Drive Spkt w/Sq. Hole Sleeve
5	1000039	1	Idler Sprocket 50-15-1/2"
6	1100006	1	#50 Chain 73 Links
7	1100059	1	#50 Conn. Link
8	1000029	1	5014 Sprocket
9	8400073	1	Spacer 3/4" x 1-3/8" O.D. 1-1/4" Long
10	8400075	1	Drive Shield
11	2000310	1	1" Cast Flangette
12	6200005	1	1/4" x 1-1/2" Key
13	4800098	4	3/8" x 1-1/4" Hex Bolt
14	5000019	12	3/8" Lock Washer
15	4900002	12	3/8" Hex Nut
16	4800167	4	3/8" x 1-1/4" Socket Head Screw
17	4800068	1	1/2" x 3" Hex Bolt
18	4800168	2	3/8" x 1-3/4" Carriage Bolt
19	5000004	4	1/2" Flat Washer
20	5000006	1	1/2" Lock Washer
21	4900001	1	1/2" Hex Nut
22	8400421	1	Shaft 1" x 39-1/4" Serial No. 553 to 900
23	8400440	1	Shaft 1" x 36" Serial No. 900 and up
24	4800053	2	3/8" x 1" Carriage Bolt



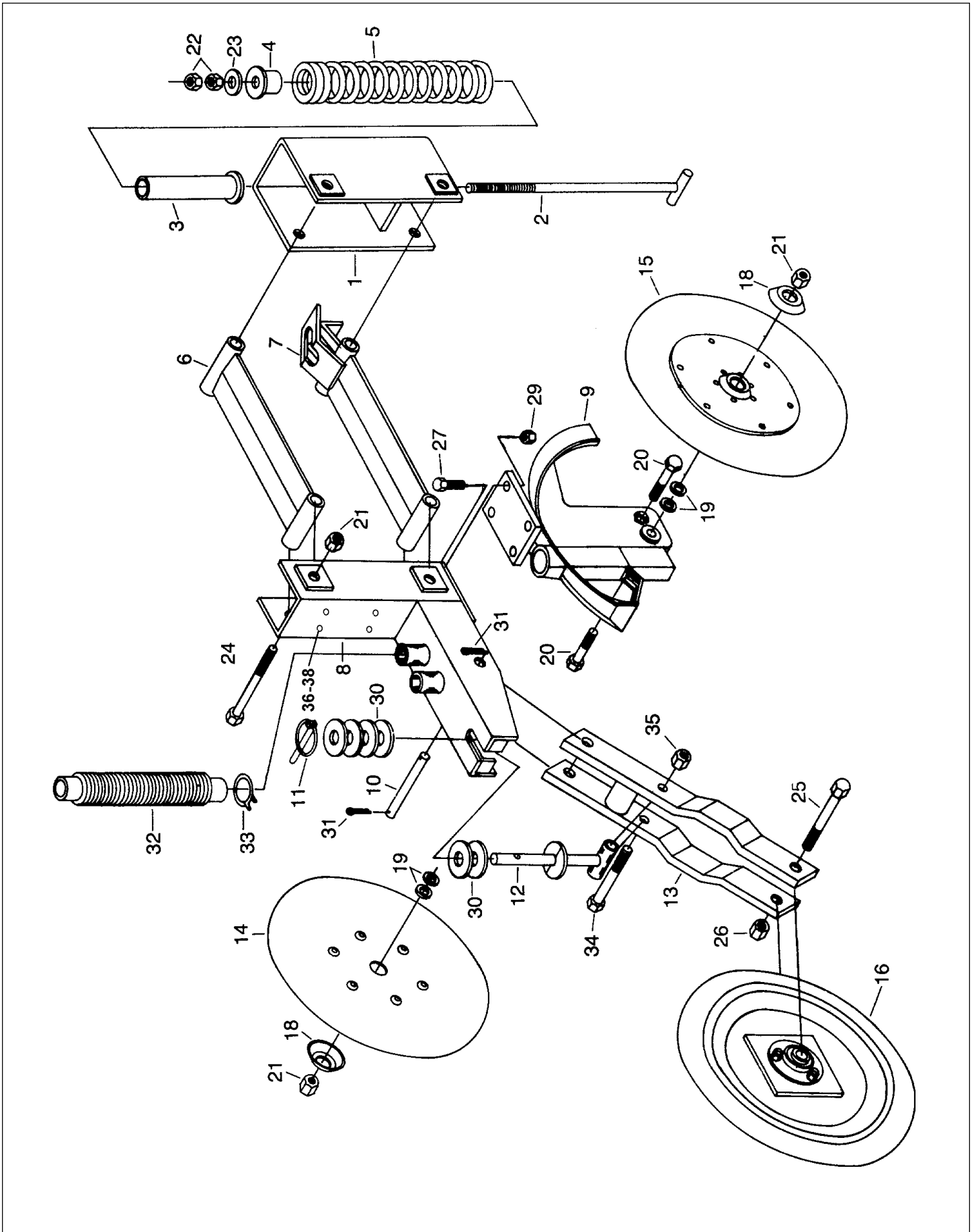
ITEM	PART NO.	QTY.	DESCRIPTION
1	1000029	1	SPKT\50\B\14\1\1/4KW
2	1000039	1	SPKT\50\15\1/2\IDLER
3	1100006	1	CHAIN\50\73
4	1100059	1	CHAIN\50\CL
5	2000310	1	BRG\FLG\CAST\1-1/4\2BOLT
6	2000824	2	CLLR\BRG\1-1/4 - FOR 8400070
7	4800003	3	BOLT\HEX\3/8X1
8	4800034	1	BOLT\HEX\3/8X1-1/2
9	4800053	1	BOLT\CRG\3/8X1\NC
10	4800068	1	BOLT\HEX\1/2X3
11	4800098	4	BOLT\HEX\3/8X1-1/4\NC
12	4800168	1	BOLT\CRG\3/8X1-3/4\NC
13	4800413	5	SCR\CSK\ALN\3/8X1-1/2\NC
14	4900001	1	NUT\HEX\1/2\NC
15	4900002	15	NUT\HEX\3/8\NC
16	5000001	2	WASH\FLAT\3/8
17	5000004	6	WASH\FLAT\1/2
18	5000006	1	WASH\LOCK\1/2
19	5000019	15	WASH\LOCK\3/8
20	5000084	2	2"PD 1-1/4ID OILITE WASHR
21	6200005	1	KEY\SQ\1/4X1-1/2
22	7500515	1	PLASTIC PLUG 107 DRILL
23	8400070	2	BRG\1-1/4W\BRKT\3-HL
24	8400071	2	SPKT\DRIVEW\SQ_HL_SLV
25	8400073	1	SPCR\DRV\1ODX.640IDX1.25L
26	8400074	1	PL\SEAL\TANK\DRILL
27	8400242	1	PL\SEAL\TANK\107
28	8400243	1	SHLD\DR\AGTTR\SGL
29	8400244	1	TANK\WLDMNT\S\N2672\107
30	8400274	1	PLUG\TANK\STL\107DRILL
31	8400440	1	SHFT\1X36\100 DRILL



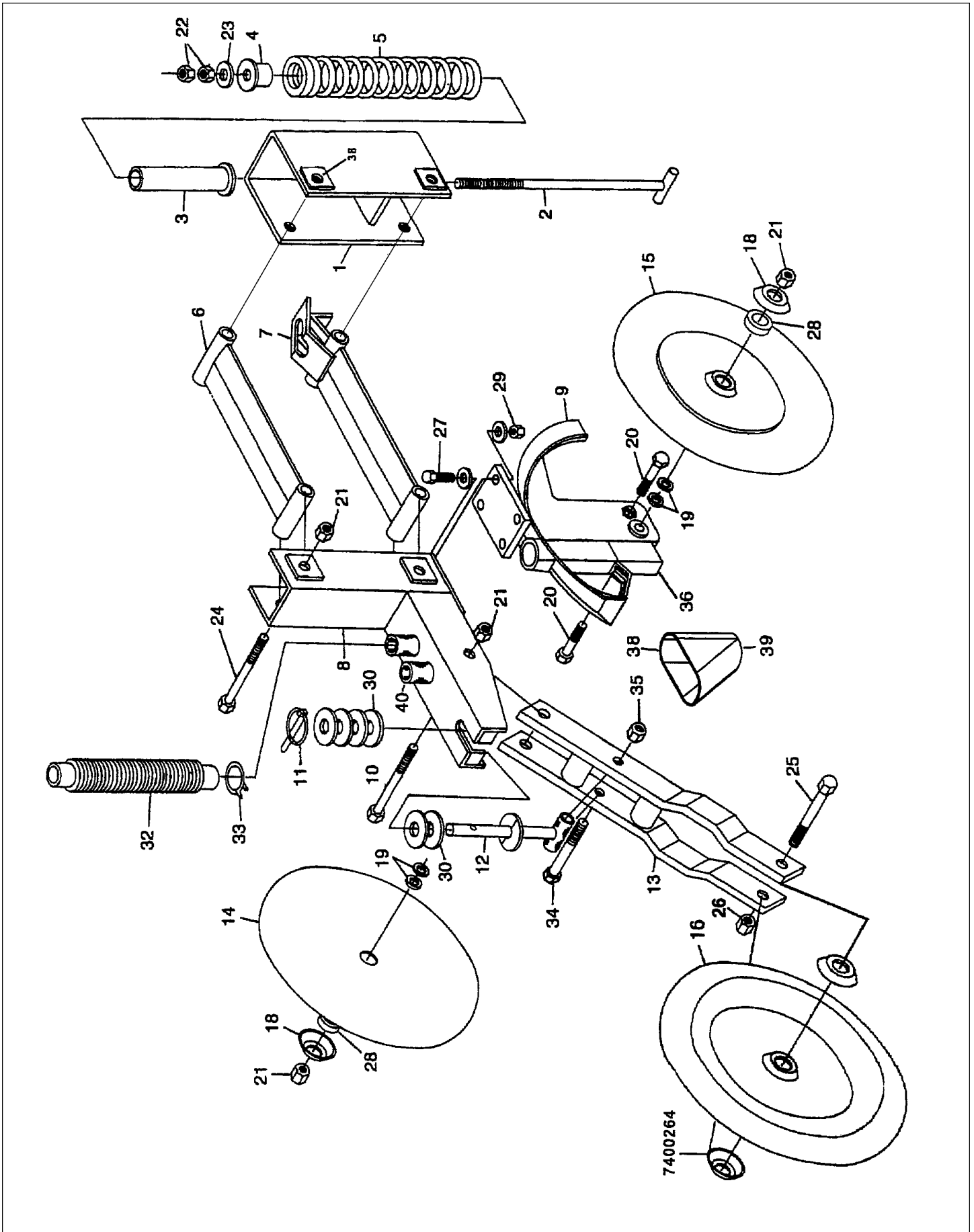
ITEM	PART NO.	QTY.	DESCRIPTION
1	8400340	1	Run Front Frame
2	8400047	1	Spring Rod
3	8400025	1	Spring Guide (Long)
4	8400026	1	Spring Guide (Short)
5	6100032	1	Spring
6	8400048	1	Upper Link
7	8400049	1	Lower Link
8	8400341	1	Run Rear Frame
9	7500063	1	Run Boot #10 L.H.
10	8400420	1	Packer Wheel Pivot Pin
10A	4800652		5/8X4-3/4 Hex Bolt
10B	4900012		5/8 Toplock Nut
11	8400051	1	Packer Wheel Depth Rod Bushing
12	8400052	1	Packer Wheel Depth Rod
13	8400053	1	Packer Wheel Frame (Steel 2 x 13")
14	7500111	1	14" Coultter (Complete) See pages 96-97
15	7500112	1	14" Disk (Complete) See pages 96-67
16	7500066	1	Packer Wheel (Complete) See pages 98-100
17	8400091	1	Scraper (Complete) See page 95
18	7400258	2	Cap
19	5000009	4	Shim Washers
20	4800159	2	5/8" x 2-1/4" G5 Narrow Head (Special)
21	4900012	6	5/8" Lock Nut
22	4900005	4	5/8" Hex Nut
23	5000002	3	5/8" Flat Washer
24	4800032	4	5/8" x 5" Bolt
25	4800054	1	5/8" x 3-1/2" Hex Bolt
26	4900014	1	1/2" Lock Nut
27	4800160	4	7/16" x 1-1/4" Hex Bolt
28	5000016	8	7/16" Flat Washer
29	4900035	4	7/16" Lock Nut
30	7500097	1	Hose No. 12125
31	7500098	2	Hose Clamps R-24
32	4800006	1	1/2" x4" Hex Bolt



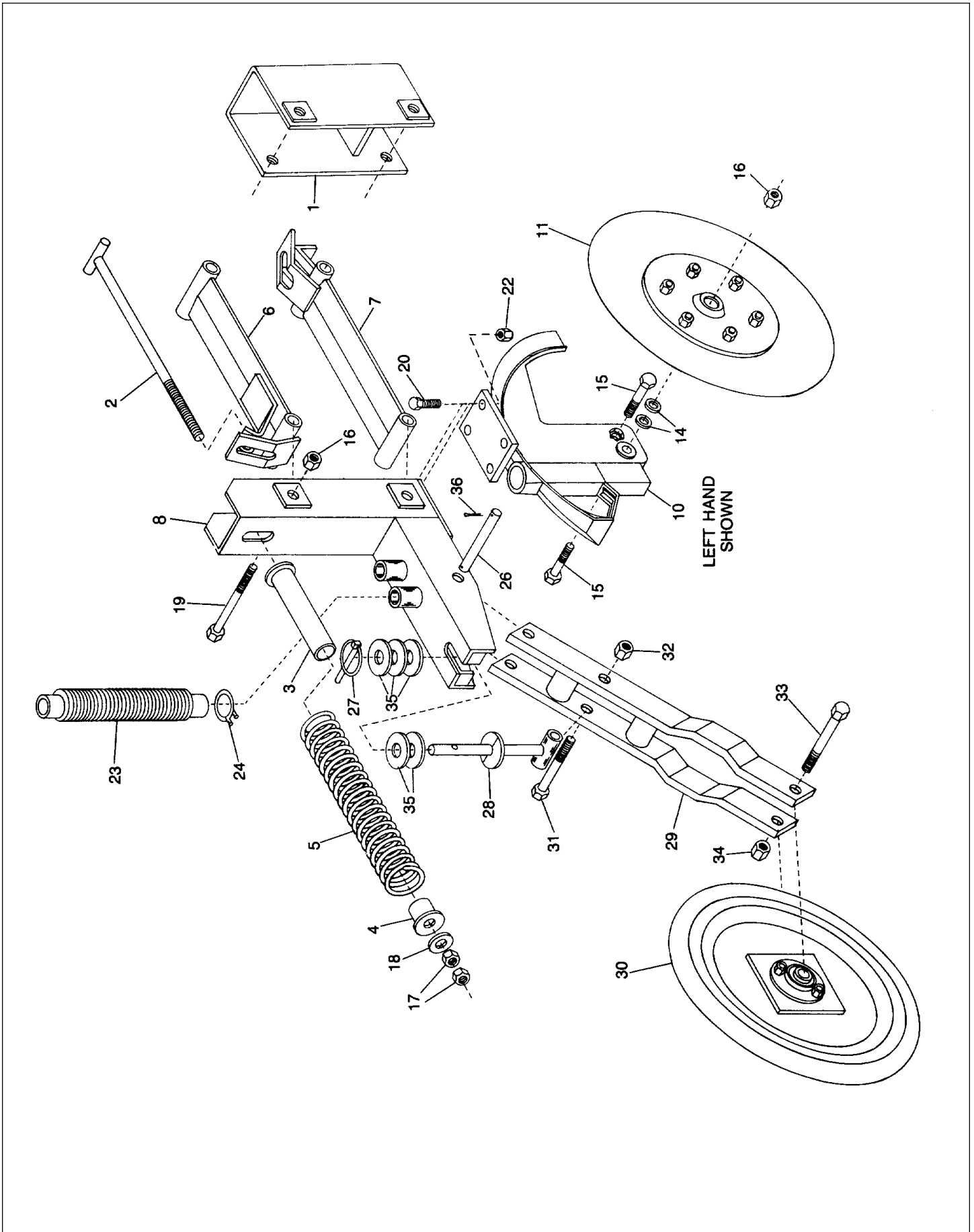
ITEM	PART NO.	QTY.	DESCRIPTION
1	8400340	1	Run Front Frame
2	8400047	1	Spring Rod
3	8400025	1	Spring Guide (Long)
4	8400026	1	Spring Guide (Short)
5	6100032	1	Spring
6	8400048	1	Upper Link
7	8400049	1	Lower Link
8	8400341	1	Run Rear Frame
9	7500063	1	Run Boot #10 L.H.
10	8400420	1	Packer Wheel Pivot Pin
10A	4800652		5/8X4-3/4 Hex Bolt
10B	4900012		5/8 Toplock Nut
11	4800076	1	5/16" Klik Pin
12	8400064	1	Packer Wheel Depth Rod
13	8400062	1	Packer Wheel Frame Dual V Wheels
14	7500111	1	14" Coultter (Complete) See pages 96-97
15	7500112	1	14" Disk (Complete) See pages 96-97
16	7500076	2	Packer Wheel (Complete) See pages 98-100
17	8400091	1	Scraper (Complete) See page 95
18	7400258	2	Cap
19	5000009	4	Shim Washers
20	4800159	2	5/8" x 2-1/4" G5 Narrow Head (Special)
21	4900012	6	5/8" Lock Nut
22	4900005	2	5/8" Hex Nut
23	5000002	1	5/8" Flat Washer
24	4800032	4	5/8" x 5" Bolt
25	4800006	1	1/2" x 4" Hex Bolt
26	4900014	1	1/2" Lock Nut
27	4800160	4	7/16" x 1-1/4" Hex Bolt
28	5000016	8	7/16" Flat Washer
29	4900035	4	7/16" Lock Nut
30	5000005	9	3/4" Flat Washer
32	7500097	1	Hose No. 12125
33	7500098	2	Hose Clamp R-24



ITEM	PART NO.	QTY.	DESCRIPTION
1	8400340	1	Run Front Frame
2	8400047	1	Spring Rod
3	8400025	1	Spring Guide (Long)
4	8400026	1	Spring Guide (Short)
5	6100032	1	Spring
6	8400048	1	Upper Link
7	8400049	1	Lower Link
8	8400102	1	Run Rear Frame
9	7500063	1	Run Boot #10 Left Hand Serial No. 553 and up (Shown)
9	7500128	1	Run Boot #12 Right Hand Serial No. 1000 and up
10	8400420	1	Packer Wheel Pivot Pin
10A	4800652		5/8X4-3/4 Hex Bolt
10B	4900012		5/8 Toplock Nut
11	4800076	1	5/16" Klik Pin
12	8400064	1	Packer Wheel Depth Rod
13	8400053	1	Packer Wheel Frame (Steel 2 x 13") Serial No. 553 to 1550
13A	8400271	1	Packer Wheel Frame (Steel 2 x 13") Serial No. 1551 and up
14	7500111	1	Coulter Complete (see pages96-97)
15	7500112	1	14" Disk (Complete) See pages 96-97
16	7500066	1	Packer Wheel (Complete) See pages 98-100
17	8400091	1	Scraper (Complete) See page 95
18	7400258	2	Cap
19	5000009		Shim Washers (As Needed)
20	4800159	2	5/8" x 2-1/2" G5 Narrow Head (Special) Light Bearings
20A	4800196	2	5/8" x 2-1/2" Bolt Heavy Bearings
21	4900012	6	5/8" Lock Nut
22	4900005	2	5/8" Hex-Nut
23	5000002	1	5/8" Flat Washer
24	4800032	4	5/8" x 5" Bolt
25	4800054	1	5/8" x 3-1/2" Bolt Serial No. 553 to 1550
25	4800011	1	3/4" x 3-1/2" Bolt Serial No. 1551 and up
26	4900012	1	5/8" Lock Nut Serial No. 553 to 1550
26	4900139	1	3/4" Lock Nut Serial No. 1551 and up
27	4800160	4	7/16" x 1-1/4" Hex Bolt
28			
29	4900035	4	7/16" Lock Nut
30	5000005	9	3/4" Flat Washer
31	4800050	2	3/16" x 1-1/2" Cotter Pin
32	7500097	2	Hose No. 12125
33	7500098	4	Hose Clamps R-24
34	4800006	1	1/2" x 4" Hex Bolt
35	4900014	1	1/2" Lock Nut
36	4800018		BOLT\HEX\1/2X1-1/4
37	4900014		NUT\TPLCK\1/2\NC
38	5000006		WASH\LOCK\1/2
NOT SHOWN			
	8400461		TUBE\SEED\BOOT\RUN
	4900034		NUT\JAM\1-1/4\NC



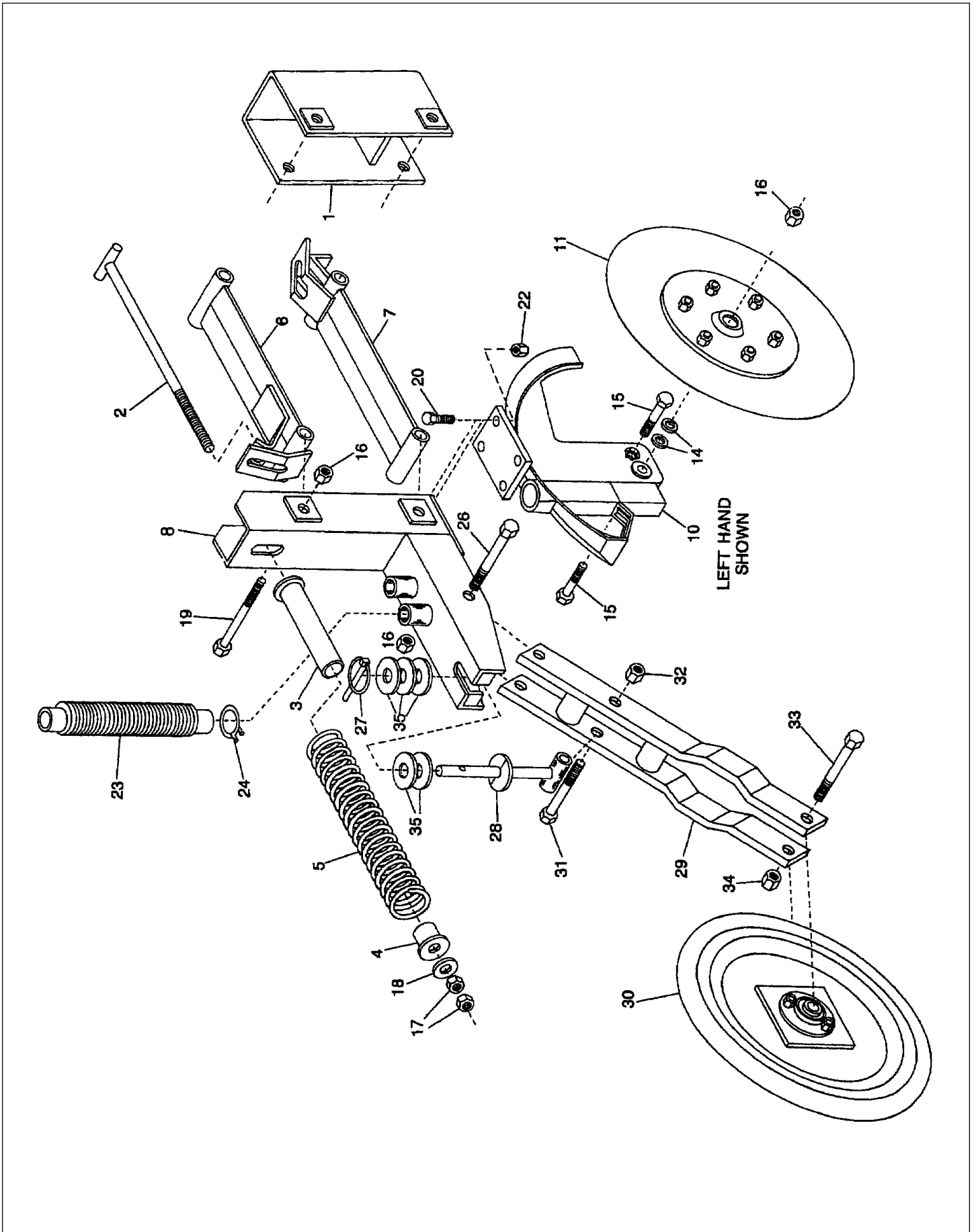
ITEM	PART NO.	QTY.	DESCRIPTION
1	8400340	1	Run Front Frame
2	8400047	1	Spring Rod
3	8400025	1	Spring Guide (Long)
4	8400026	1	Spring Guide (Short)
5	6100032	1	Spring
6	8400048	1	Upper Link
7	8400049	1	Lower Link
8	8400341	1	Run Rear Frame
9	7500063	1	Run Boot #10 Left Hand Serial No. 553 and up (Shown)
	8400736		BOOT\DR\SUB WELD\LH\#10 (Includes #9 and #36)
9	7500128	1	Run Boot #12 Right Hand Serial No. 1000 and up
	8400737		BOOT\DR\SUB WELD\RH\#10 (Includes #9 and #36)
10	4800652	1	5/8" x 4-3/4" Hex Bolt
11	4800076	1	5/16" Klik Pin
12	8400064	1	Packer Wheel Depth Rod
13	8400053	1	Packer Wheel Frame (Steel 2 x 13") Serial No. 553 to 1550
13	8400271	1	Packer Wheel Frame (Steel 2 x 13") Serial No. 1551 And Up
14	7500187	1	14" Coultter (Complete) See pages 96-97
15	7500188	1	14" Disk (Complete) See pages 96-97
16	8400617	1	Packer Wheel (Complete) See pages 98
17	8400091	1	Scraper (Complete) See page 95
18	7400258	2	Cap
19	5000009		Shim Washers (As Needed)
20	4800196	2	5/8" x 2-3/4" Bolt
21	4900012	7	5/8" Lock Nut
22	4900005	2	5/8" Hex Nut
23	5000002	1	5/8" Flat Washer
24	4800218	4	5/8" x 5-1/2" Bolt
25	4800054	1	5/8" x 3-1/2" Bolt Serial No. 553 to 1550
25	4800063	1	3/4" x 4" Bolt Serial No. 1551 and up
26	4900012	1	5/8" Lock Nut Serial No. 553 to 1550
26	4900139	1	3/4" Lock Nut Serial No. 1551 and up
27	4800160	4	7/16" x 1-1/4" Hex Bolt
28	7500307	2	Bushing (Cap Spacer Bushing)
29	4900035	4	7/16" Lock Nut
30	5000005	9	3/4" Flat Washer
32	7500097	2	Hose No. 12125
33	7500098	4	Hose Clamps R-24
34	4800231	1	1/2" x 3-3/4" Bolt
35	4900014	1	1/2" Lock Nut
36	8400461	1	Seed Duct
37	5000067	4	1-3/4" O.D. x 15/16" I.D. 7 Ga. Hex (Not Shown For Front Run Frame)
38	8400671		GUIDE\TUBE\LH\FRM\RUN\REAR
39	8400672		GUIDE\TUBE\RH\FRM\RUN\REAR
40	8400673		TUBE\FRM\RUN\REAR
	8400567		Boot #10, with blade and scraper
	8400568		Boot #12, with blade and scraper
	8400592		RH Run Assembly with #12 boot and seal plate, no press wheel
	8400593		LH Run Assembly with #10 boot, no press wheel
	8400623		Run Assembly without boot and press wheel
	8400316		Run Frame Doubler
	7400264		Cap\Whl\ w/o Pilot



ITEM	PART NO.	QTY.	DESCRIPTION
1	8400340	1	Run Front Frame
2	8400047	1	Spring Rod
3	8400025	1	Spring Guide (Long)
4	8400026	1	Spring Guide (Short)
5	6100032	1	Spring Seeding Run
6	8400234	1	Upper Link (Low Clearance)
7	8400049	1	Lower Link
8	8400172	1	Run Rear Frame (Low Clearance)
10	7500063	1	Boot #10 Left Hand Shown
10A	7500128		Run Boot #10 Right Hand
11	7500111	2	14" Coultter (Complete) See pages 88-89 Disk 7500112
12	8400091	1	Scraper (Complete) See page 87
13	7400258		Cap
14	5000009	4	Shim Washer
15	4800159	2	5/8" x 2-1/4" G5 Narrow Head (Special) Light Bearing
15A	4800196	2	5/8" x 2-1/2" Bolt Heavy Bearings
16	4900012	6	5/8" Lock Nut
17	4900005	2	5/8" Hex Nut
18	5000002	1	5/8" Flat Washer
19	4800032	4	5/8" x 5" Bolt
20	4800040	4	7/16" x 1-1/2" Bolt
21			
22	4900035	4	7/16" Lock Nut
23	7500097	2	Hose #12125
24	7500098	4	Hose Clamp R-24

The Following Parts are Used on Seeding Runs Only

26	8400240	1	Packer Wheel Pivot Pin
26A	4800652		5/8" x 4-3/4" Hex Bolt
26B	4900012		5/8 Toplock nut
27	4800076	1	5/16" Klik Pin
28	8400064	1	Packer Wheel Depth Rod
29	8400053	1	Packer Wheel Frame
29A	8400271	1	Packer Wheel Frame Serial No. 1551 and up
30	7500066	1	Packer Wheel (Complete) See page 90-92
31	4800006	1	1/2" x 4" Bolt
32	4900014	1	1/2" Lock Nut
33	4800063	1	3/4" x 4" Bolt
34	4900013	1	3/4" Lock Nut
35	5000005	9	3/4" Flat Washer



ITEM	PART NO.	QTY.	DESCRIPTION
1	8400343	1	Run Front Frame
2	8400047	1	Spring Rod
3	8400025	1	Spring Guide (Long)
4	8400026	1	Spring Guide (Short)
5	6100032	1	Spring Seeding Run
6	8400234	1	Upper Link (Low Clearance)
7	8400049	1	Lower Link
8	8400172	1	Run Rear Frame (Low Clearance)
10	7500063	1	Boot #10 Left Hand Shown
10A	7500128		Run Boot #10 Right Hand
11	7500187	1	14" Coultter (Complete) See pages 82-83 Not Shown
12	7500188	1	14" Disk (Complete) See pages 82-83
13	7400258	2	Cap
14	5000009		Shim Washer
15	4800159	2	5/8" x 2-1/4" G5 Narrow Head (Special) Light Bearing
15A	4800196	2	5/8" x 2-1/2" Bolt Heavy Bearings
16	4900012	6	5/8" Lock Nut
17	4900005	2	5/8" Hex Nut
18	5000002	1	5/8" Flat Washer
19	4800032	4	5/8" x 5" Bolt
20	4800040	4	7/16" x 1-1/2" Bolt
21	8400091	1	Scraper (Complete) See page 81
22	4900035	4	7/16" Lock Nut
23	7500097	2	Hose #12125
24	7500098	4	Hose Clamp R-24

The Following Parts are Used on Seeding Runs Only

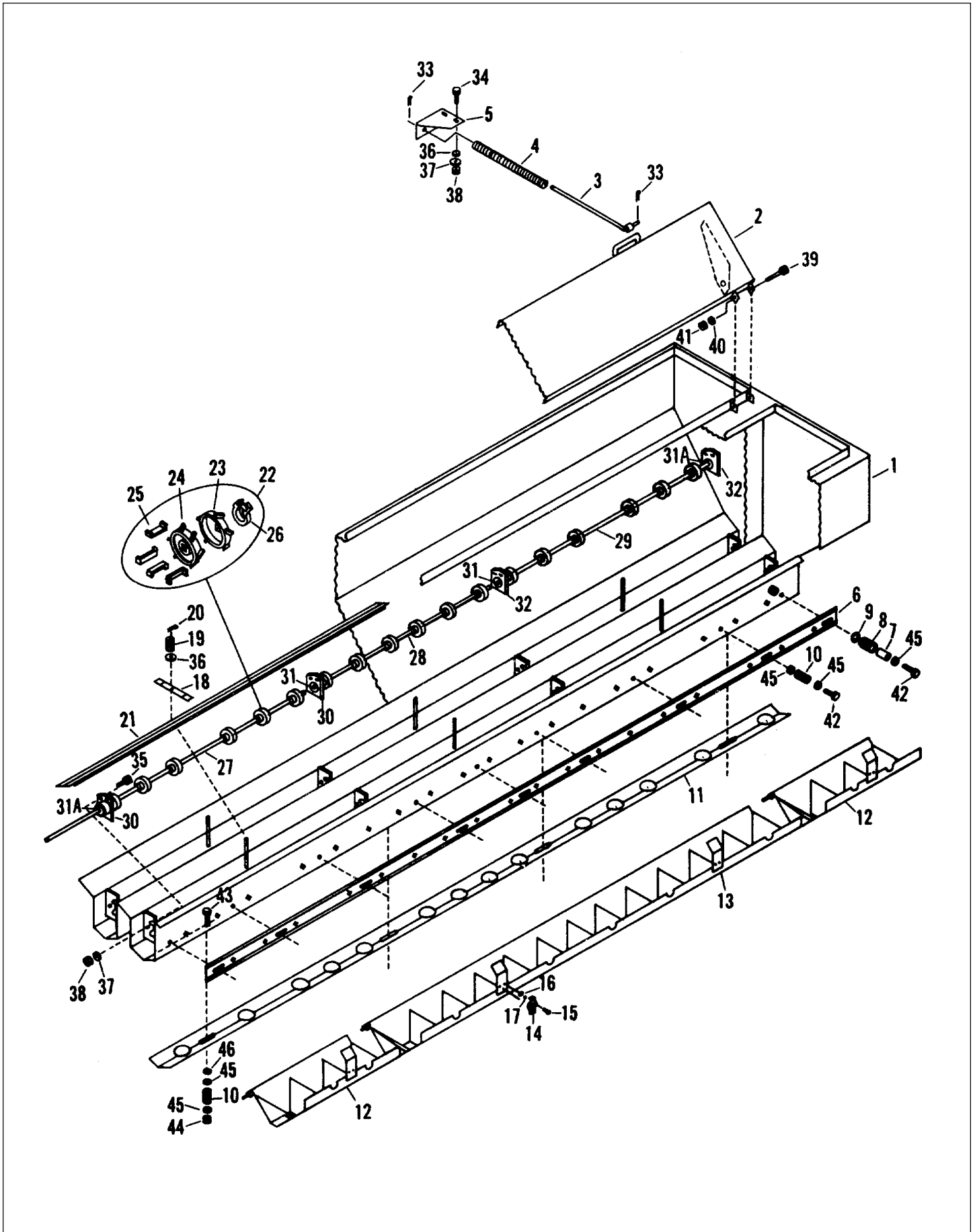
26	4800652	1	5/8" x 4-3/4" Hex Bolt
27	4800076	1	5/16" Klik Pin
28	8400064	1	Packer Wheel Depth Rod
29	8400271	1	Packer Wheel Frame
30	7500066	1	Packer Wheel (Complete) See page 84-86
31	4800006	1	1/2" x 4" Bolt
32	4900014	1	1/2" Lock Nut
33	4800063	1	3/4" x 4" Bolt
34	4900139	1	3/4" Lock Nut
35	5000005	9	3/4" Flat Washer

See run assembly, 2673 and up

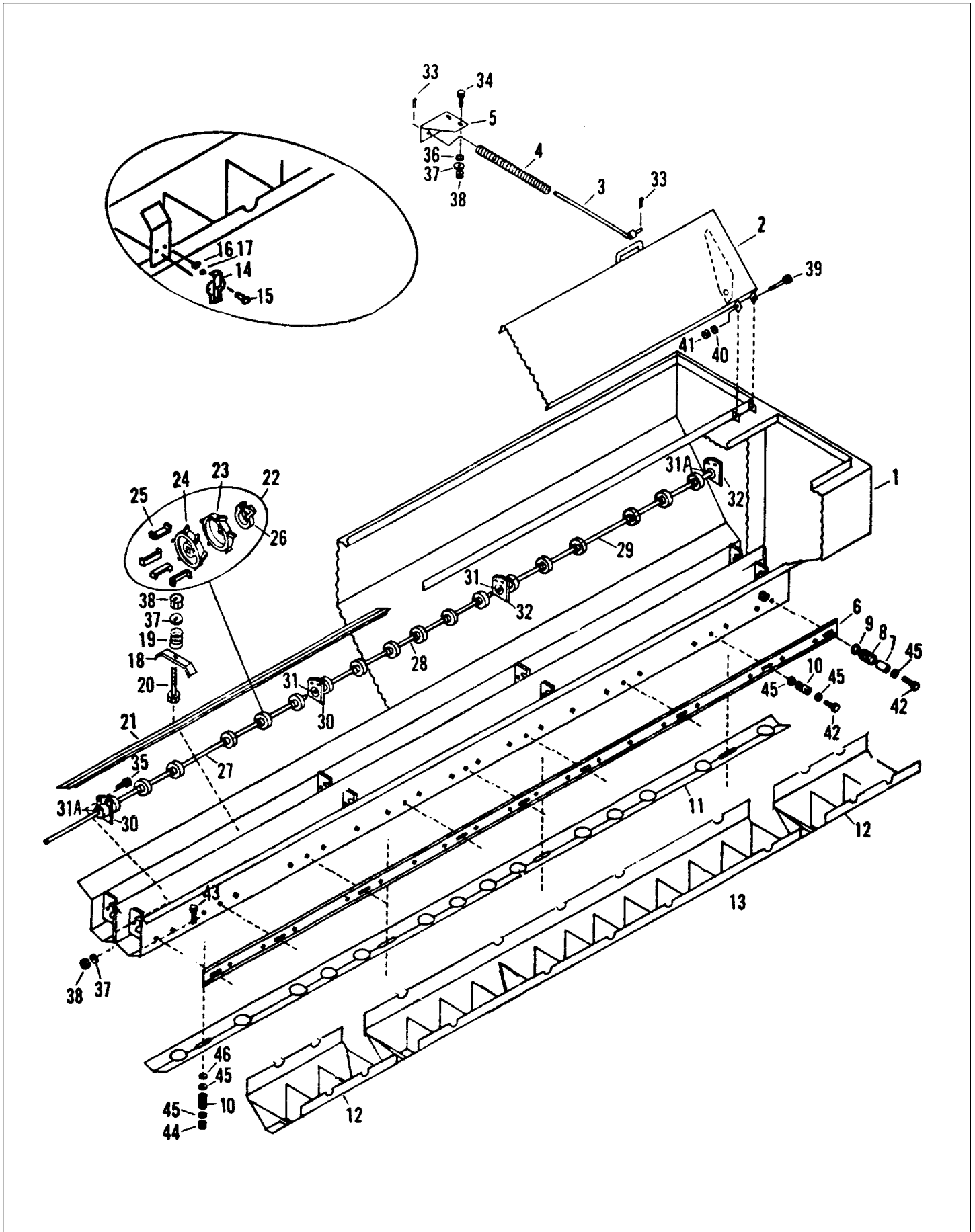
38	8400671		GUIDE\TUBE\LH\FRM\RUN\REAR
39	8400672		GUIDE\TUBE\RH\FRM\RUN\REAR
40	8400673		TUBE\FRM\RUN\REAR

NOT SHOWN

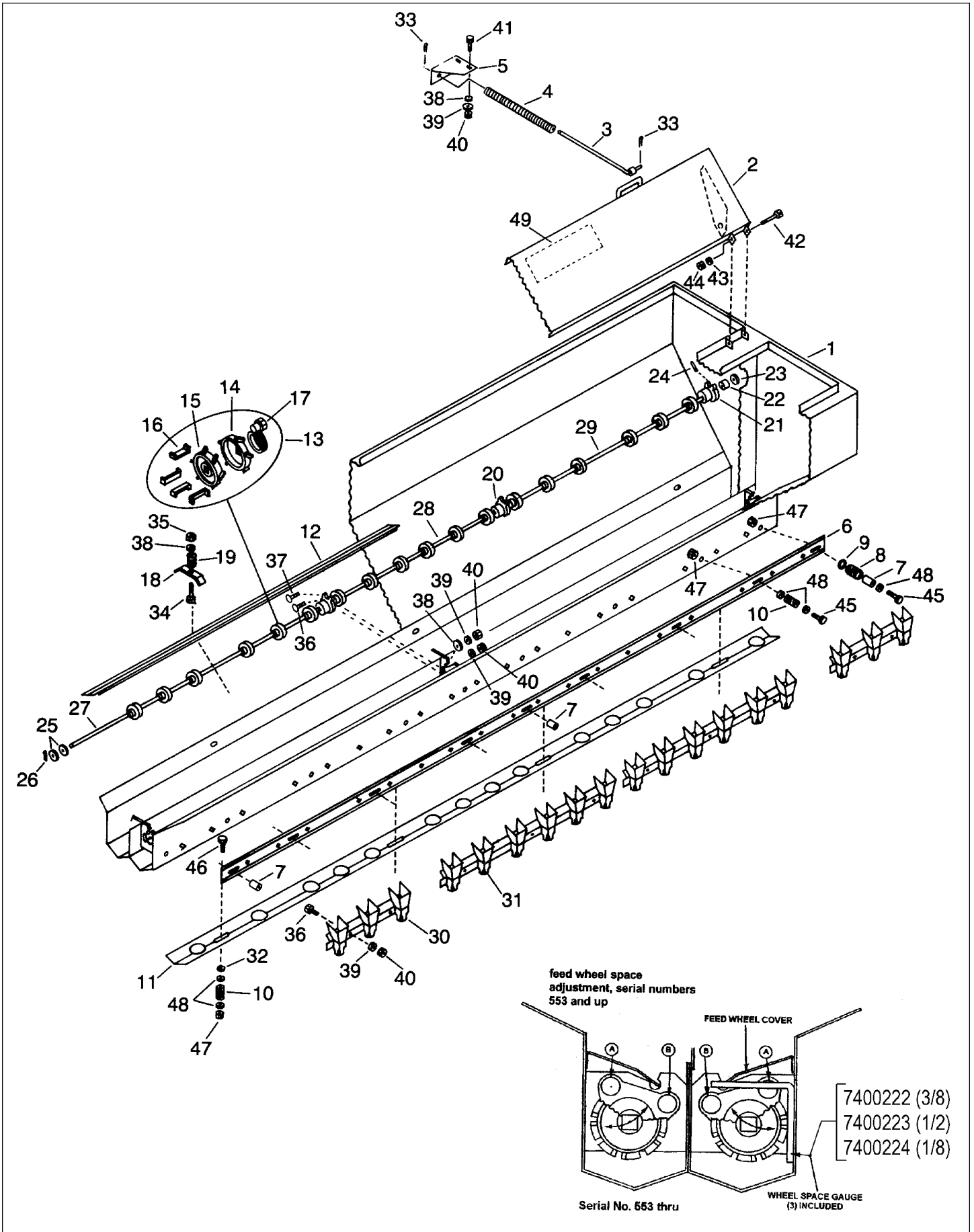
8400309			WASH\WHL\PACKER\RETAINER
---------	--	--	--------------------------



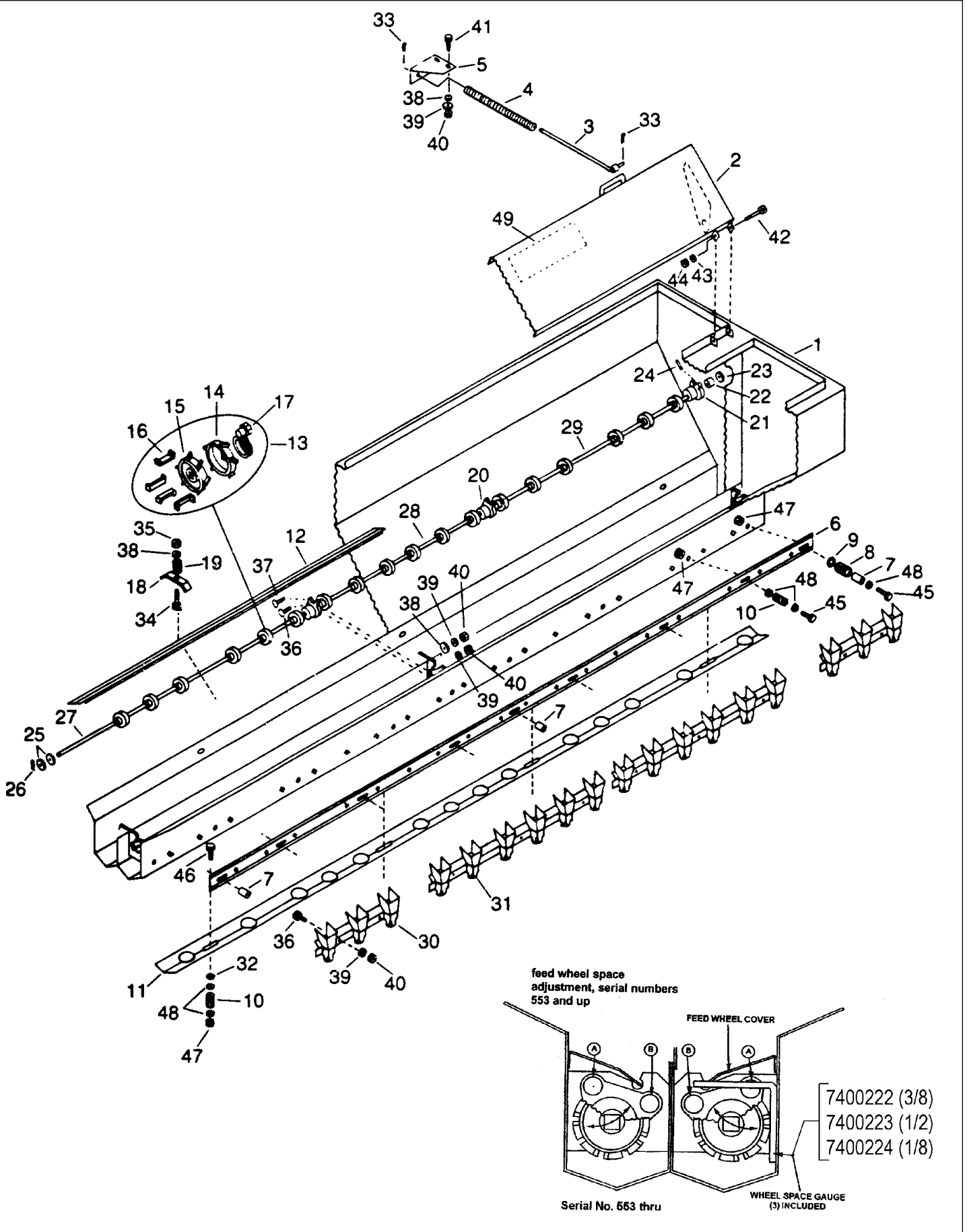
ITEM	PART NO.	QTY.	DESCRIPTION
1	8400001	1	Tank Weldment 112"
2	8400002	2	Tank Covers
3	8400003	4	Tank Cover Spring Rod
4	6100017	4	Tank Cover Spring
5	8400004	2	Tank Cover Spring Retainer LH
	8400005	2	Tank Cover Spring Retainer RH
6	8400006	2	Control Plate
7	8400007	6	Control Plate Guide
8	6100031	6	Control Plate Guide Spring
9	5000033	6	Guide Washer
10	6100002	20	Wheel Cover Hold Down Spring
11	8400008	2	Clean Out Plate
12	8400009	2	Hopper End Section
13	8400010	1	Hopper Center Section
14	7500038	4	Hopper Hold Up Latch/Cam
15	4800154	8	1/4" x 1/2" Round Head Screw
16	4900009	8	1/4" Hex Nut
17	5000034	8	1/4" Star Washer
18	8400011	6	Wheel Cover Hold Down
19	6100002	6	Wheel Cover Hold Down Spring
20	4800127	6	1/2" x 1" Cotter Key
21	8400012	4	Wheel Covers
22	7500006	36	Feed Wheel Complete
23	7500007	36	Feed Wheel Left Half (Marked L)
24	7500008	36	Feed Wheel Right Half (Marked R)
25	7400066	144	Wheel Retainer Clips
26	7500034	72	Nylon Snap Lock Rings
27	8400410	2	Shaft Right Side, 42-1/2"
28	8400411	2	Shaft Center Section, 33-1/4"
29	8400412	2	Shaft Left Side, 38-3/4"
30	8400013	4	Bracket w/Brg. Complete, R.H.
31	8400015	4	Sq. Hole Sleeve Coupler, 2-1/8" x 1"
31A	7400213	4	Sq. Hole Sleeve, 1"
32	8400014	4	Bracket w/Brg. Complete, L.H.
33	4800044	8	5/32" x 1-1/2" Cotter Key
34	4800003	8	3/8" x 1" Hex Bolt
35	4800053	16	3/8" x 1" Carriage Bolt
36	5000001	14	3/8" Flat Washer
37	5000019	24	3/8" Lock Washer
38	4900002	24	3/8" Hex Nut
39	4800071	4	5/16" x 1-1/4" Hex Bolt
40	5000022	4	5/16" Lock Washer
41	4900017	4	5/16" Hex Nut
42	4800007	18	1/2" x 2" Hex Bolt
43	4800082	8	1/2" x 1-1/2" Hex Bolt
44	4900001	26	1/2" Hex Nut
45	5000016	46	7/16" Flat Washer
46	8300236	8	1/2" Flat Washer w/40° Brk.
NOT SHOWN			
	7500590		ENCL\OPS\8-1/2X11X1-5/8#9000-07
	7400222		SPCR\WHL\CAL\3/8"1068
	7400223		SPCR\WHL\CAL\1/4"1068
	7400224		SPCR\WHL\CAL\10GA\1068



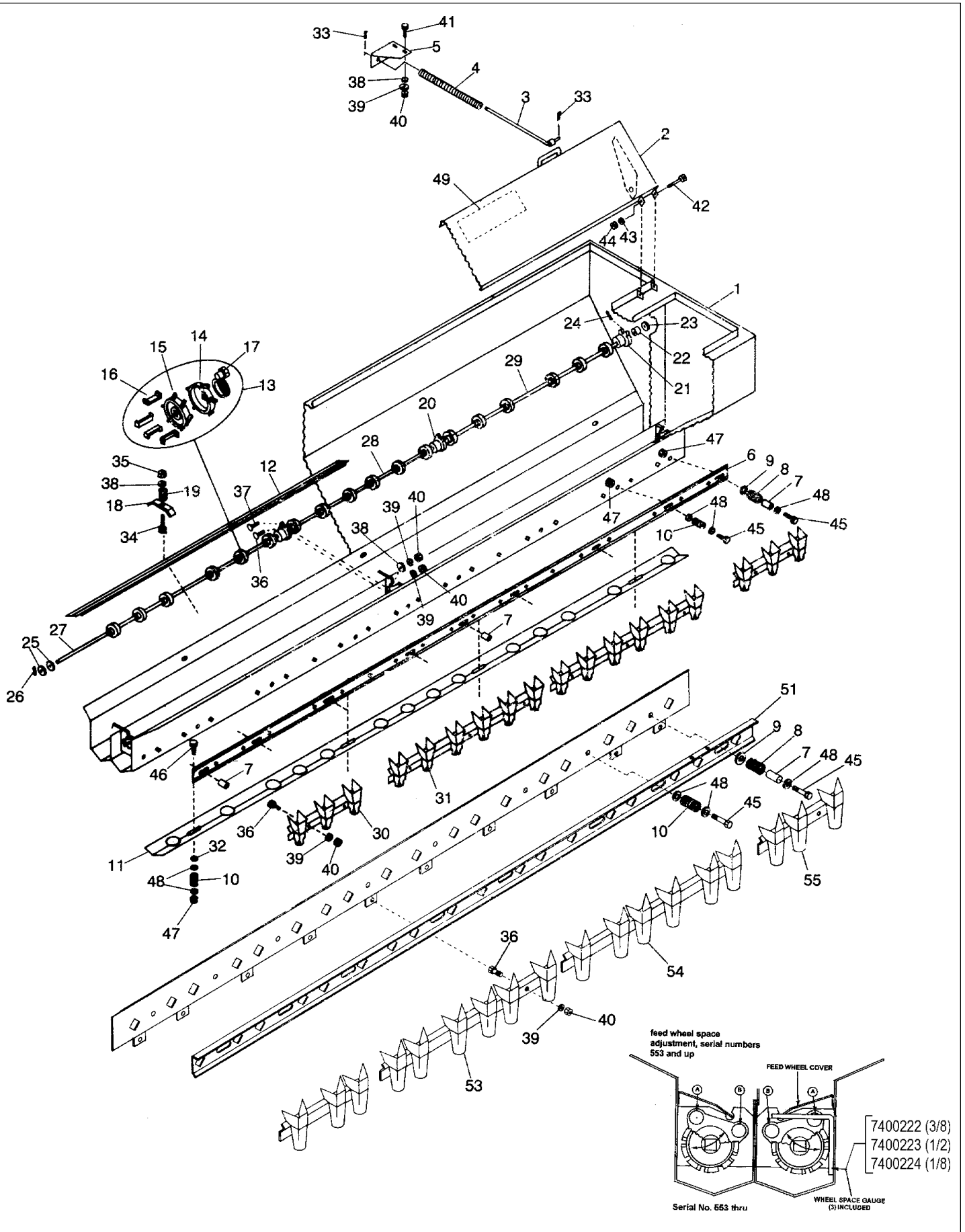
ITEM	PART NO.	QTY.	DESCRIPTION
1	8400066	1	Tank Weldment 112"
2	8400002	2	Tank Covers
3	8400003	4	Tank Cover Spring Rod
4	6100017	4	Tank Cover Spring
5	8400004	2	Tank Cover Spring Retainer LH
	8400005	2	Tank Cover Spring Retainer RH
6	8400067	2	Control Plate
7	8400007	6	Control Plate Guide
8	6100031	6	Control Plate Guide Spring
9	5000033	6	Guide Washer
10	6100002	20	Wheel Cover Hold Down Spring
11	8400008	2	Clean Out Plate
12	8400068	2	Hopper End Section
13	8400069	1	Hopper Center Section
14	7500038	4	Hopper Hold Up Latch/Cam
15	4800154	8	1/4" x 1/2" Round Head Screw
16	4900009	8	1/4" Hex Nut
17	5000034	8	1/4" Star Washer
18	8400011	6	Wheel Cover Hold Down
19	6100002	6	Wheel Cover Hold Down Spring
20	4800156	6	3/8" x 3" Hex Bolt
21	8400012	4	Wheel Covers
22	7500006	36	Feed Wheel Complete
23	7500007	36	Feed Wheel Left Half (Marked L)
24	7500008	36	Feed Wheel Right Half (Marked R)
25	7400066	144	Wheel Retainer Clips
26	7500034	72	Nylon Snap Lock Rings
27	8400410	2	Shaft Right Side, 42-1/2"
28	8400411	2	Shaft Center Section, 33-1/4"
29	8400412	2	Shaft Left Side. 38-3/4"
30	8400013	4	Bracket w/Brg. Complete, R.H.
31	8400015	4	Sq. Hole Sleeve Coupler, 2-1/8" x 1"
31A	7400213	4	Sq. Hole Sleeve, 1"
32	8400014	4	Bracket w/Brg. Complete, L.H.
33	4800044	8	5/32" x 1-1/2" Cotter Key
34	4800003	8	3/8" x 1" Hex Bolt
35	4800053	16	3/8" x 1" Carriage Bolt
36	5000001	14	3/8" Flat Washer
37	5000019	24	3/8" Lock Washer
38	4900002	24	3/8" Hex Nut
39	4800071	4	5/16" x 1-1/4" Hex Bolt
40	5000022	4	5/16" Lock Washer
41	4900017	4	5/16" Hex Nut
42	4800007	18	1/2" x 2" Hex Bolt
43	4800082	8	1/2" x 1-1/2" Hex Bolt
44	4900001	26	1/2" Hex Nut
45	5000016	46	7/16" Flat Washer
46	8300236	8	1/2" Flat Washer w/40° Brk.



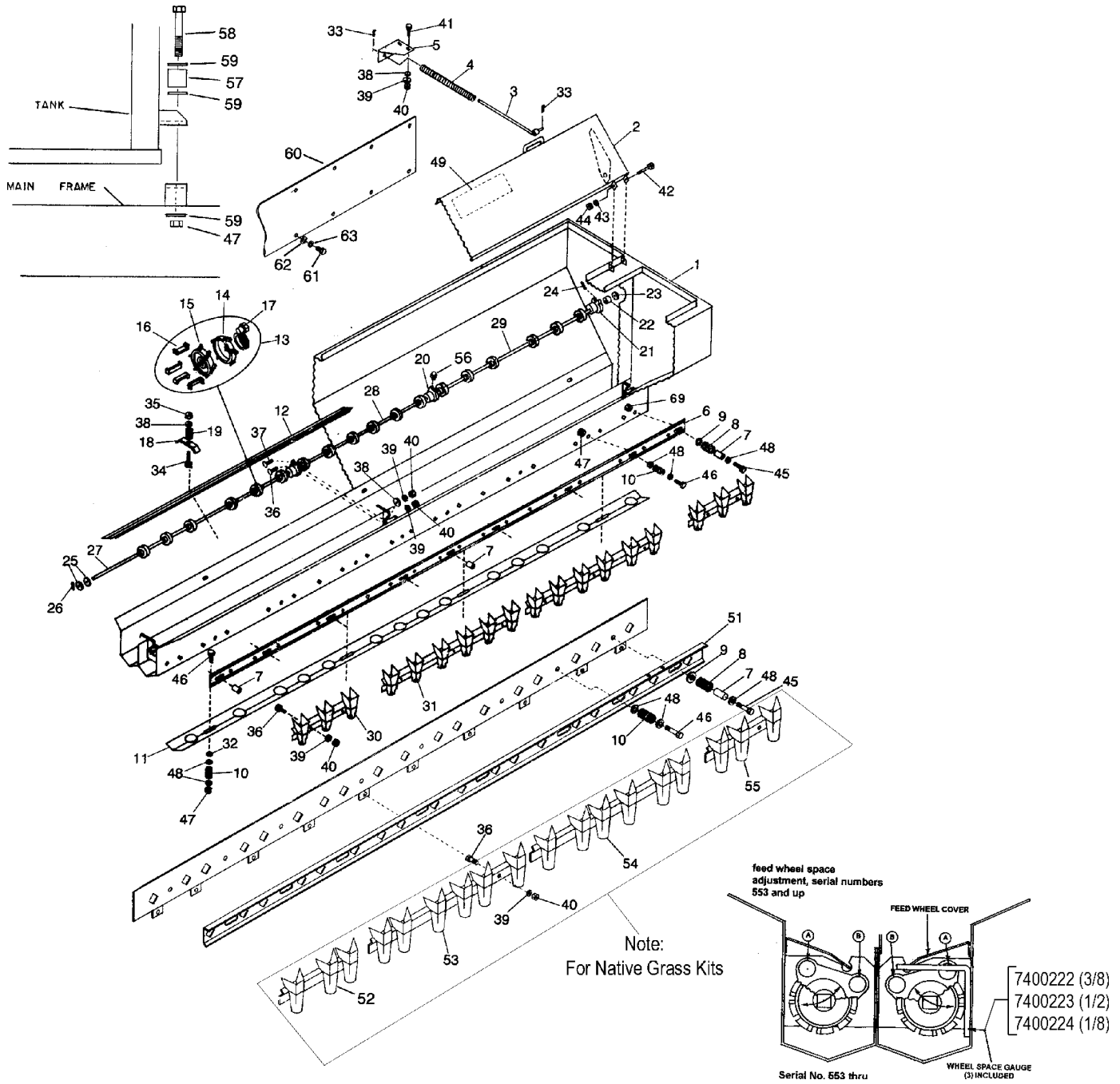
ITEM	PART NO.	QTY.	DESCRIPTION
1	8400097	1	Tank Weldment 112"
2	8400002	2	Tank Covers
3	8400003	4	Tank Cover Spring Rod
4	6100017	4	Tank Cover Spring
5	8400004	2	Tank Cover Spring Retainer Lt.
	8400005	2	Tank Cover Spring Retainer Rt.
6	8400006	2	Control Plate
7	8400007	6	Control Plate Guide
8	6100031	6	Control Plate Guide Spring
9	5000002	6	Guide Washer
10	6100002	20	Wheel Cover Hold Down Spring
11	8400008	2	Clean Out Plate
12	8400096	2	Feed Wheel Covers
13	7500106	1	Feed Wheel Complete
14	7500007	36	Feed Wheel Left Half (Marked L)
15	7500008	36	Feed Wheel Right Half (Marked R)
16	7400066	144	Feed Wheel Retainer Clips
17	7500107	36	Hose Clamp
18	8400011	6	Feed Wheel Cover Hold Down
19	6100002	6	Wheel Cover Hold Down Spring
20	7500110	4	Cast Bracket w/Brg. Complete
21	7500108	4	Cast Bracket
22	7500109	4	Steel Brg. w/Hole
23	5000036	4	Retainer Washer
24	4800169	2	1/4" x 1 -1/8" O. D. x 7/8" I.D.
25	5000027	4	Washer 1-3/8" O.D. x 7/8" I.D.
26	4800050	2	3/16" x 1-1/2" Cotter Key
27	8400424	2	Shaft Right Side, 41-7/16"
28	8400423	2	Shaft Center Section, 33-1/16"
29	8400422	2	Shaft Left Side, 37-3/4"
30	8400099	4	Seed Cup End Section
31	8400100	4	Seed Cup Center Section
32	8300236	8	1/2" Flat Washer w/40° Brk.
33	4800044	8	5/32" x 1-1/2" Cotter Key
34	4800156	6	3/8" x 3" Hex Bolt
35	4900030	6	3/8" Plastic Insert Lock Nut
36	4800053	26	3/8" x 1" Carriage Bolt
37	4800012	6	3/8" x 1-1/4" Carriage Bolt
38	5000001	20	3/8" Flat Washer
39	5000019	40	3/8" Lock Washer
40	4900002	40	3/8" Hex Nut
41	4800003	8	3/8" x 1" Hex Bolt
42	4800170	6	5/16" x 3-1/2" Bolt
43	5000022	6	5/16" Lock Washer
44	4900003	6	5/16" Hex Nut
45	4800082	18	1/2" x 1-1/2" Bolt
46	4800007	8	1/2" x 2" Bolt
47	4900014	26	1/2" Top Lock Nut
48	5000016	46	7/16" Flat Washer
49	6500022	1	Calibration Decal



ITEM	PART NO.	QTY.	DESCRIPTION
1	8400113	1	Tank Weldment 106"
2	8400107	2	Tank Cover
3	8400003	4	Tank Cover Spring Rod
4	6100017	4	Tank Cover Spring
5	8400004	2	Tank Cover Spring Retainer L.H.
	8400005	2	Tank Cover Spring Retainer R.H.
6	8400114	2	Control Plate, 7" Spacing
	8400115	2	Control Plate, 10" Spacing
7	8400007	6	Control Plate Guide
8	6100031	6	Control Plate Guide Spring
9	5000002	6	Guide Washer
10	6100002	20	Wheel Cover Hold Down Spring
11	8400110	2	Clean Out Plate
12	8400111	4	Feed Wheel Covers
13	7500006	36	Feed Wheel Complete
14	7500007	36	Feed Wheel Left Half (Marked L)
15	7500008	36	Feed Wheel Right Half (Marked R)
16	7400066	144	Feed Wheel Retainer Clips
17	7500107	36	Hose Clamp
18	8400011	6	Feed Wheel Cover Hold Down
19	6100002	6	Wheel Cover Hold Down Spring
20	7500110	4	Cast Bracket w/Brg. Complete
21	7500108	4	Cast Bracket
22	7500109	2	Steel Brg. w/Hole Sq. ID
22A	7500372		Steel Bearing Sq. I D w/o Hole
23	5000036	4	Retainer Washer
24	4800169	2	1/4" x 1-1/8" Rolled Pin
25	5000027	4	Washer, 1-3/8" O.D. x 7/8" I.D.
26	4800050	2	3/16" x 1-1/2" Cotter Key
27	8400426	2	Shaft Right Side, 38-7/16"
28	8400423	2	Shaft Center, 33-1/16"
29	8400425	2	Shaft Left Side, 34-1/2"
30	8400099	4	Seed Cup End Section
31	8400100	4	Seed Cup Center Section
32	8300236	8	1/2" Flat Washer w/40° Brk.
33	4800044	8	5/32" x 1-1/2" Cotter Key
34	4800156	6	3/8" x 3" Hex Bolt
35	4900030	6	3/8" Plastic Insert Lock Nut
36	4800053	26	3/8" x 1" Carriage Bolt
37	4800012	6	3/8" x 1-1/4" Carriage Bolt
38	5000001	20	3/8" Flat Washer
39	5000019	40	3/8" Lock Washer
40	4900002	40	3/8" Hex Nut
41	4800003	8	3/8" x 1" Hex Bolt
42	4800170	6	5/16" x 3-1/2" Bolt
43	5000022	6	5/16" Lock Washer
44	4900003	6	5/16" Hex Nut
45	4800082	18	1/2" x 1-1/2" Bolt
46	4800007	8	1/2" x 2" Bolt
47	4900014	26	1/2" Top Lock Nut
48	5000016	46	7/16" Flat Washer
49	6500022	1	Calibration Decal, 7" Spacing
	6500027	1	Calibration Decal 10" Spacing
50	8400112	2	Clean Out Handle

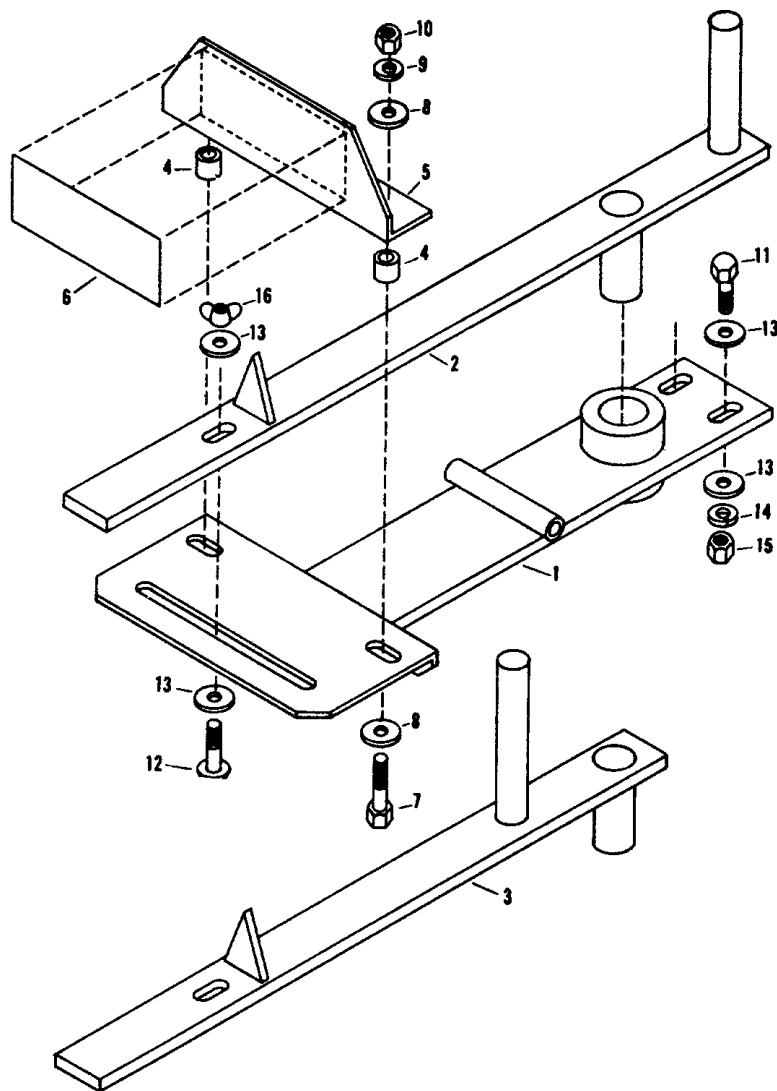


ITEM	PART NO.	QTY.	DESCRIPTION
1	8400244	1	Tank Weldment 106"
2	8400107	2	Tank Cover
3	8400003	4	Tank Cover Spring Rod
4	6100017	4	Tank Cover Spring
5	8400004	2	Tank Cover Spring Retainer L.H.
	8400005	2	Tank Cover Spring Retainer R.H.
6	8400114	2	Control Plate, 7" Spacing
7	8400007	6	Control Plate Guide
8	6100031	6	Control Plate Guide Spring
9	5000002	6	Guide Washer
10	6100002	20	Wheel Cover Hold Down Spring
11	8400110	2	Clean Out Plate
12	8400111	4	Feed Wheel Covers
13	7500006	36	Feed Wheel Complete
14	7500007	36	Feed Wheel Left Half (Marked L)
15	7500008	36	Feed Wheel Right Half (Marked R)
16	7400066	144	Feed Wheel Retainer Clips
17	7500107	36	Hose Clamp
18	8400011	6	Feed Wheel Cover Hold Down
19	6100002	6	Wheel Cover Hold Down Spring
20	7500110	4	Cast Bracket w/Brg. Complete
21	7500108	4	Cast Bracket
22	7500109	4	Steel Brg. w/Hole
22A	7500372		Steel Bearing Sq. Hole ID w/o Hole
23	5000036	4	Retainer Washer
24	4800169	2	1/4" x 1-1/8" Rolled Pin
25	5000027	4	Washer, 1-3/8" O.D. x 7/8" I.D.
26	4800050	2	3/16" x 1-1/2" Cotter Key
27	8400426	2	Shaft Right Side, 38-7/16"
28	8400423	2	Shaft Center. 33-1/16"
29	8400425	2	Shaft Left Side, 34-1/2"
30	8400099	4	Seed Cup End Section
31	8400100	4	Seed Cup Center Section
32	8300236	8	1/2" Flat Washer w/40° Brk.
33	4800044	8	5/32" x 1-1/2" Cotter Key
34	4800156	6	3/8" x 3" Hex Bolt
35	4900030	6	3/8" Plastic Insert Lock Nut
36	4800053	26	3/8" x 1" Carriage Bolt
37	4800012	6	3/8" x 1-1/4" Carriage Bolt
38	5000001	20	3/8" Flat Washer
39	5000019	40	3/8" Lock Washer
40	4900002	40	3/8" Hex Nut
41	4800003	8	3/8" x 1" Hex Bolt
42	4800170	6	5/16" x 3-1/2" Bolt
43	5000022	6	5/16" Lock Washer
44	4900003	6	5/16" Hex Nut
45	4800082	18	1/2" x 1-1/2" Bolt
46	4800114	8	1/2" x 2" Bolt
47	4900014	26	1/2" Top Lock Nut
48	5000016	46	7/16" Flat Washer
49	6500022	1	Calibration Decal, 7" Spacing
50	8400112	2	Clean Out Handle
51	8400245	1	Control Plate 7" Spacing (Grass)
52	8400248	1	Seed Cup Left End Section (Grass)
53	8400249	1	Seed Cup Left Center Section (Grass)
54	8400250	1	Seed Cup Right Center Section (Grass)
55	8400251	1	Seed Cup Right End Section (Grass)



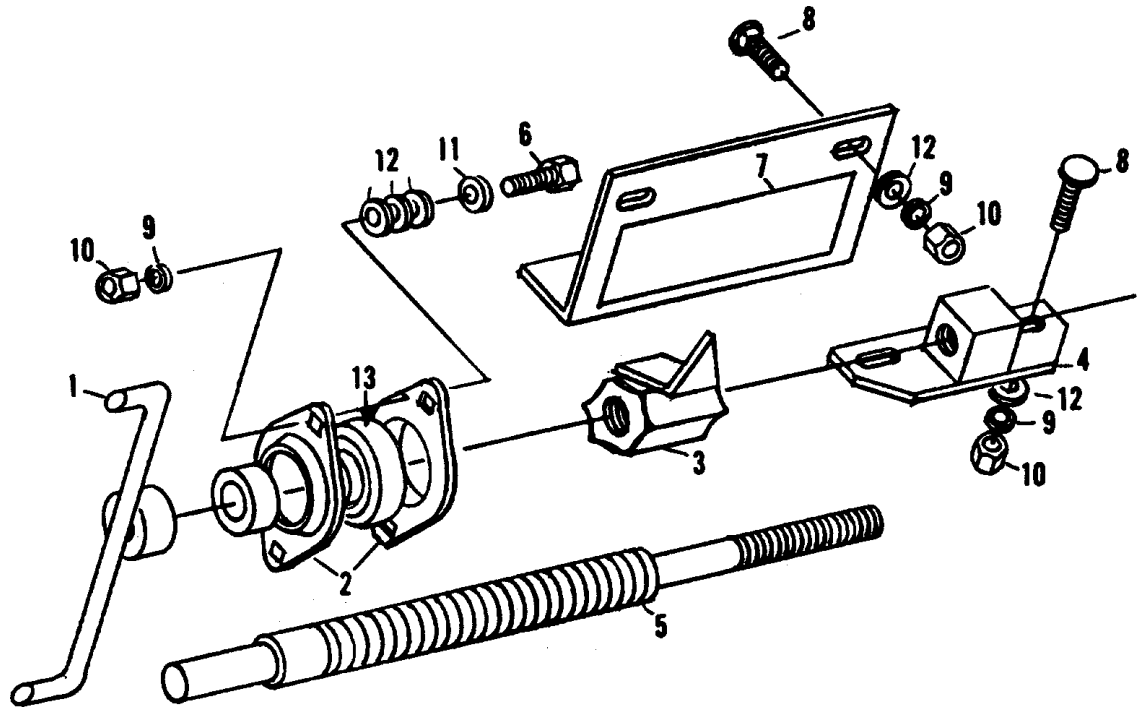
ITEM	PART NO.	QTY.	DESCRIPTION
1	8400244	1	Tank Weldment 106"
2	8400107	2	Tank Cover
3	8400003	4	Tank Cover Spring Rod
4	6100017	4	Tank Cover Spring
5	8400004	2	Tank Cover Spring Retainer L.H.
	8400005	2	Tank Cover Spring Retainer R.H.
6	8400114	1	Control Plate, 7" Spacing
7	8400007	6	Control Plate Guide
8	6100031	6	Control Plate Guide Spring
9	5000002	6	Guide Washer
10	6100002	20	Springs
11	8400110	2	Clean Out Plate
12	8400111	4	Feed Wheel Covers

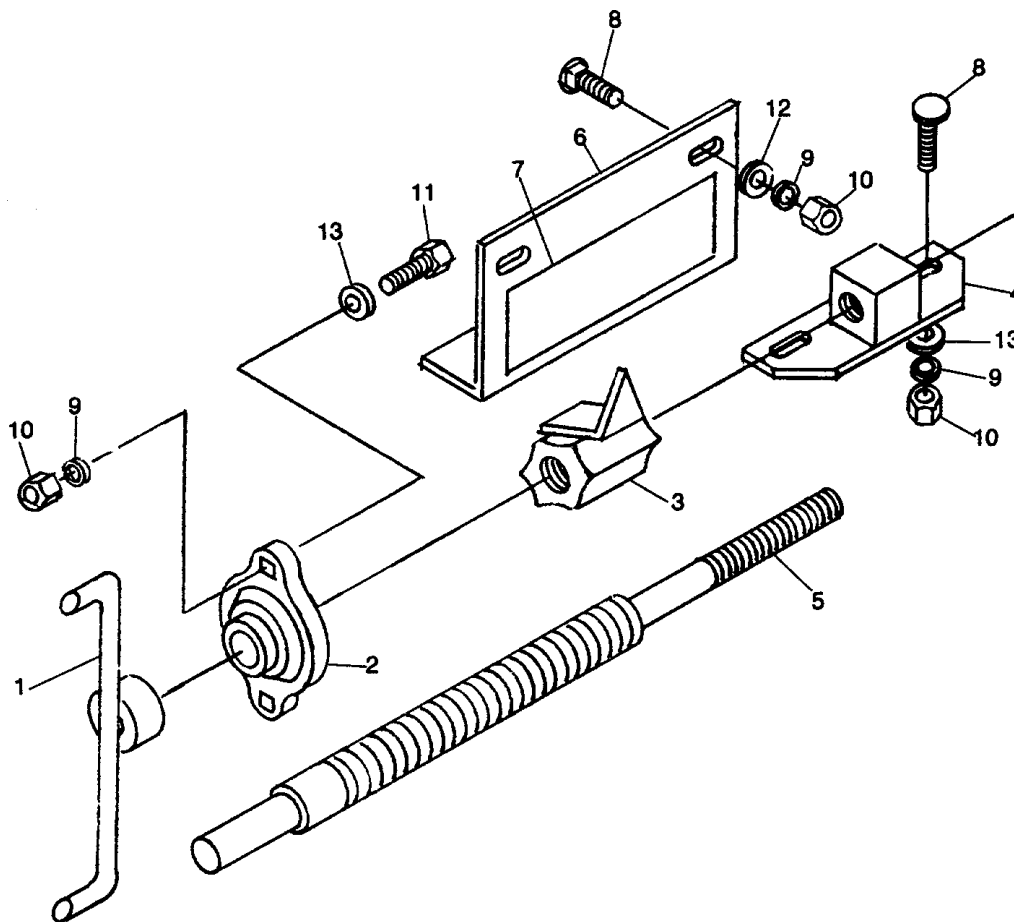
ITEM	PART NO.	QTY.	DESCRIPTION
13	7500006	36	Feed Wheel Complete
14	7500007	36	Feed Wheel Left Half (Marked L)
15	7500008	36	Feed Wheel Right Half (Marked R)
16	7400066	144	Feed Wheel Retainer Clips
17	7500107	36	Hose Clamp
18	8400011	6	Feed Wheel Cover Hold Down
19	6100002	6	Wheel Cover Hold Down Spring
20	7500110	4	Cast Bracket w/Brg. Complete
21	7500108	4	Cast Bracket
22	7500109	4	Steel Brg. w/Hole
23	5000036	4	Retainer Washer
24	4800169	2	1/4" x 1-1/8" Rolled Pin
25	5000027	4	Washer, 1-3/8" O.D. x 7/8" I.D.
26	4800050	2	3/16" x 1-1/2" Cotter Key
27	8400426	2	Shaft Right Side, 38-7/16"
28	8400423	2	Shaft Center, 33-1/16"
29	8400425	2	Shaft Left Side. 34-1/2"
30	8700016	4	Seed Cup End Section
31	8700015	4	Seed Cup Center Section
32	8300236	8	1/2" Flat Washer w/40° Brk.
33	4800044	8	5/32" x 1-1/2" Cotter Key
34	4800156	6	3/8" x 3" Hex Bolt
35	4900030	6	3/8" Plastic Insert Lock Nut
36	4800053	26	3/8" x 1" Carriage Bolt
37	4800012	6	3/8" x 1-1/4" Carriage Bolt
38	5000001	20	3/8" Flat Washer
39	5000019	40	3/8" Lock Washer
40	4900002	40	3/8" Hex Nut
41	4800003	8	3/8" x 1" Hex Bolt
42	4800170	6	5/16" x 3-1/2" Bolt
43	5000022	6	5/16" Lock Washer
44	4900003	6	5/16" Hex Nut
45	4800396	6	7/16" x 2" Bolt
46	4800114	19	1/2" x 2" Bolt
47	4900014	19	1/2" Top Lock Nut
48	5000016	25	7/16" Flat Washer
49	6500022	1	Calibration Decal, 7" Spacing
50	8400112	2	Clean Out Handle
51	8400245	1	Control Plate 7" Spacing (Grass)
52	8400248	1	Seed Cup Left End Section (Grass)
53	8400249	1	Seed Cup Left Center Section (Grass)
54	8400250	1	Seed Cup Right Center Section (Grass)
55	8400251	1	Seed Cup Right End Section (Grass)
56	3800082	6	1/4" Tapered St. Zerk
57	7500134	4	Grommet
58	4800068	4	1/2" x 3" Bolt
59	5000004	12	1/2" Flat Washer
60	8400318	2	Divider Cover
61	4800164	28	3/8" x 3/4" Bolt
62	5000001	28	3/8" Flat Washer
63	5000019	28	3/8" Lock Washer
64	8400467	2	Wind Guard (Not Shown)
65	8400462	1	Seed Cup Left End Section (Rear) Not Shown
66	8400280	1	Seed Cup Left Center Section (Rear) Not Shown
67	8400463	1	Seed Cup Right End Section (Rear) Not Shown
68	8400279	1	Seed Cup Right Center Section (Rear) Not Shown
69	4900035	6	7/16" Toplock Nut



ITEM	PART NO.	QTY.	DESCRIPTION
1	8400017	2	Calibration Mount
2	8400018	1	Grain Control Arm
3	8400019	1	Fert. Control Arm
4	8400020	4	Scale Plate Spacers
5	8400021	2	Scale Plate
6	6500016	1	Scale Grain (Decal)
	6500017	1	Scale Fert. (Decal)
7	4800081	4	5/16" x 1-1/2" Hex Bolt
8	5000023	8	5/16" Flat Washer
9	5000022	4	5/16" Lock Washer
10	4900003	4	5/16" Hex Nut
11	4800098	6	3/8" x 1-1/4" Hex Bolt
12	4800012	2	3/8" x 1-1/4" Carriage Bolt
13	5000001	8	3/8" Flat Washer
14	5000019	3	3/8" Lock Washer
15	4900002	3	3/8" Hex Nut
16	4900032	1	3/8" Wing Nut

ITEM	PART NO.	QTY.	DESCRIPTION
1	8400060	2	Calibration Handle
2	2000702	4	2 Hole Flangette
3	7500071	2	Calibration Pointer Nut
4	7500072	2	Calibration Control Plate Nut
5	7500073	2	Calibration Shaft
6	8400061	2	Calibration Scale Plate
7	6500016	1	Calibration Scale Decal - Grain
7A	6500017	1	Calibration Scale Decal - Fert.
8	4800153	8	5/16" x 3/4" Carriage Bolt
9	5000022	12	5/16" Lock Washer
10	4900003	12	5/16" Hex Nut
11	4800013	4	5/16" x 1" Hex Bolt
12	5000035	16	1/4" Flat Washer
13	2000020	2	3/4" Bearing w/Collar

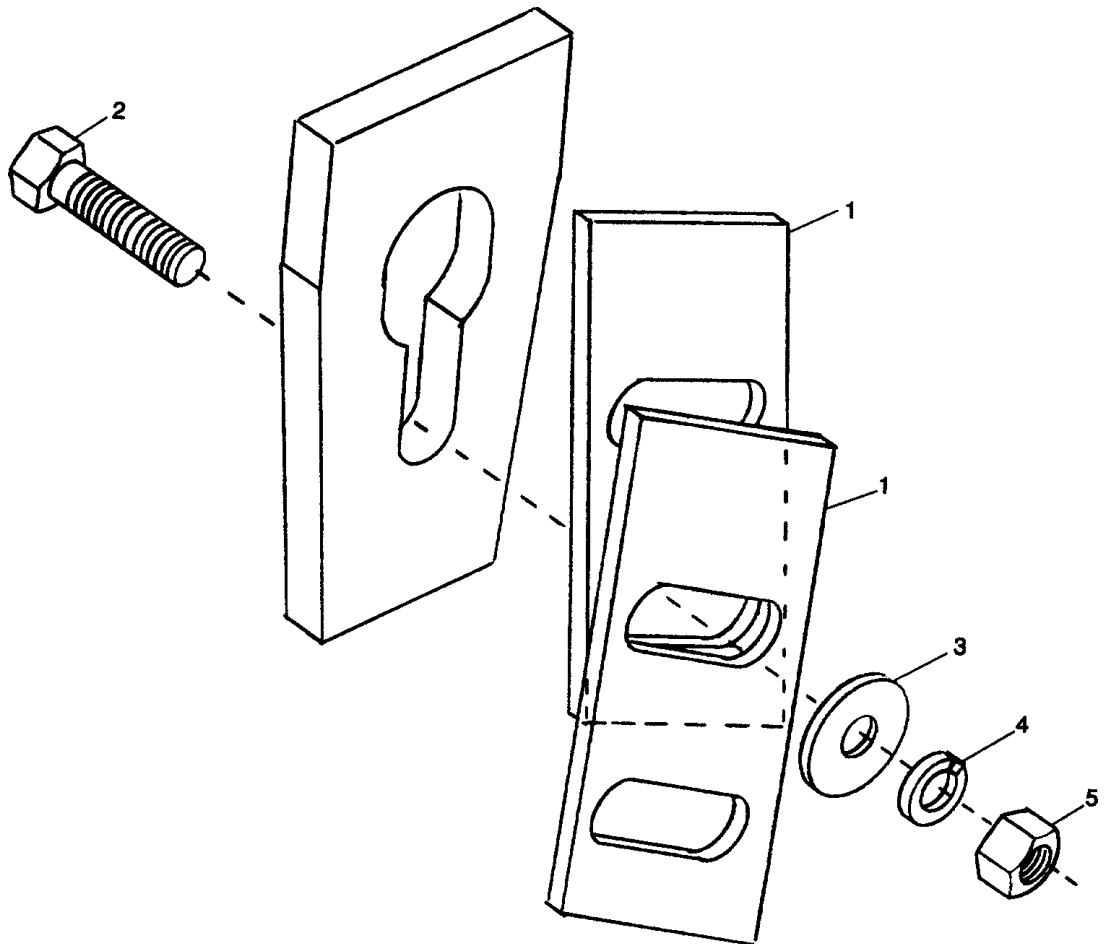


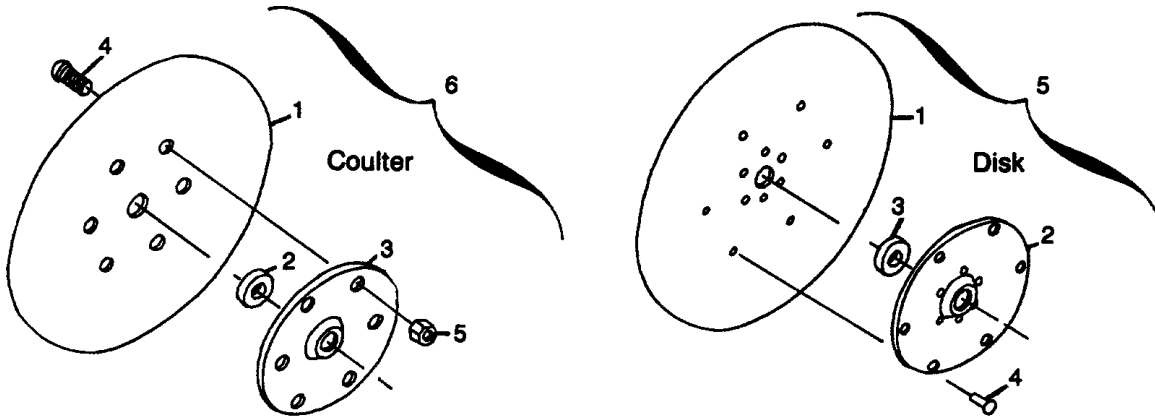


ITEM	PART NO.	QTY.	DESCRIPTION
1	8400060	2	Calibration Handle
2	2000313	2	2 Hole Cast Flangette 3/4"
3	7500071	2	Calibration Pointer Nut
4	7500072	2	Calibration Control Plate Nut
5	7500073	2	Calibration Shaft
6	8400061	2	Calibration Scale Plate
6	8400262	1	Calibration Scale Plate - Grass
7	6500016	1	Calibration Scale Decal - Grain
7	6500017	1	Calibration Scale Decal - Fert.
7	6500081	1	Calibration Scale Decal - Grass
8	4800153	8	5/16" x 3/4" Carriage Bolt
9	5000022	12	5/16" Lock Washer
10	4900003	12	5/16" Hex Nut
11	4800071	4	5/16" x 1-1/4 " Hex Bolt
12	5000023	12	5/16" Flat Washer

SCRAPER ASSEMBLY

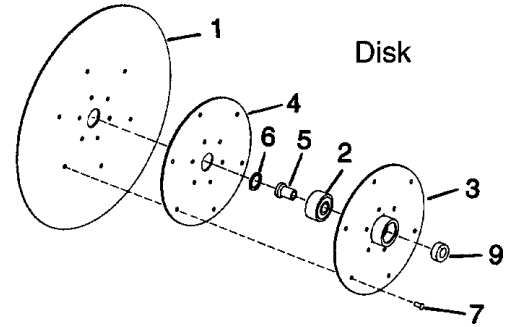
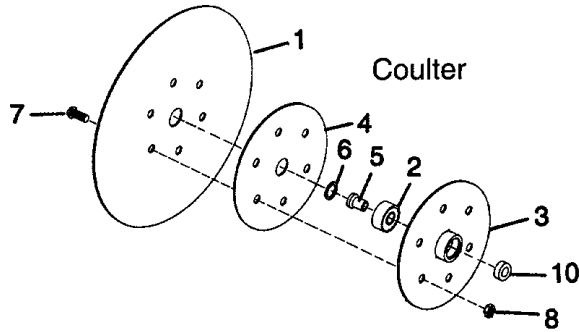
ITEM	PART NO.	QTY.	DESCRIPTION
	8400091		Scraper Assembly - Complete
1	8400670	2	Scraper\Disc
2	4800071	1	5/16" x 1-1/4" Bolt
3	5000023	1	5/16" Flat Washer
4	5000022	1	5/16" Lock Washer
5	4900003	1	5/16" Hex Nut





ITEM	PART NO.	QTY.	DESCRIPTION	ITEM	PART NO.	QTY.	DESCRIPTION
1	7500064	1	Coulter, 14" - 6 Hole	1	7500010	1	Disk, 14"
2	2000028	1	Brg. 5/8"	2	8400093	1	Disk Brg. Cage, 12 Rivet
3	8400094	1	Brg. Cage, 6 Hole	3	2000028	1	Bearing 5/8"
4	4800161	6	1/2" - 13 x 1-1/8"	4	4800039	12	Rivets, 1/4" x 1/2"
			Button Hd. Socket Screw	5	7500112	1	Disk (Complete)
5	4900014	6	Lock Nut, 1/2"				
6	7500111	1	Coulter (Complete)				

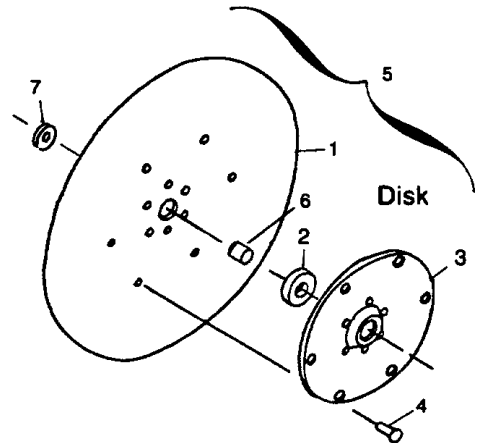
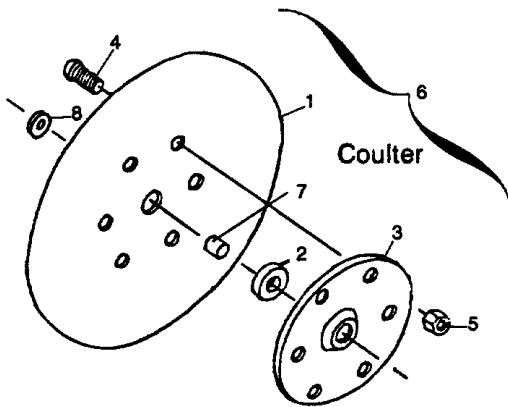
SERIAL NO. 2673 TO 3821



ITEM	PART NO.	QTY.	DESCRIPTION
1	7500064	1	Coulter, 14" - 6 Hole
2	2000031	1	Bearing
3	7500165	1	Cage
4	8400315	1	Coulter Seal Plate
5	7500160	1	Sleeve
6	2001009	1	Seal
7	4800161	6	1/2" - 13 x 1" Button
8	4900014	6	Head Socket Screw
9	7500349	1	Coulter (Complete)
10	7500307	1	Cap Spacer
	800078		Brg. Case w/Brg.

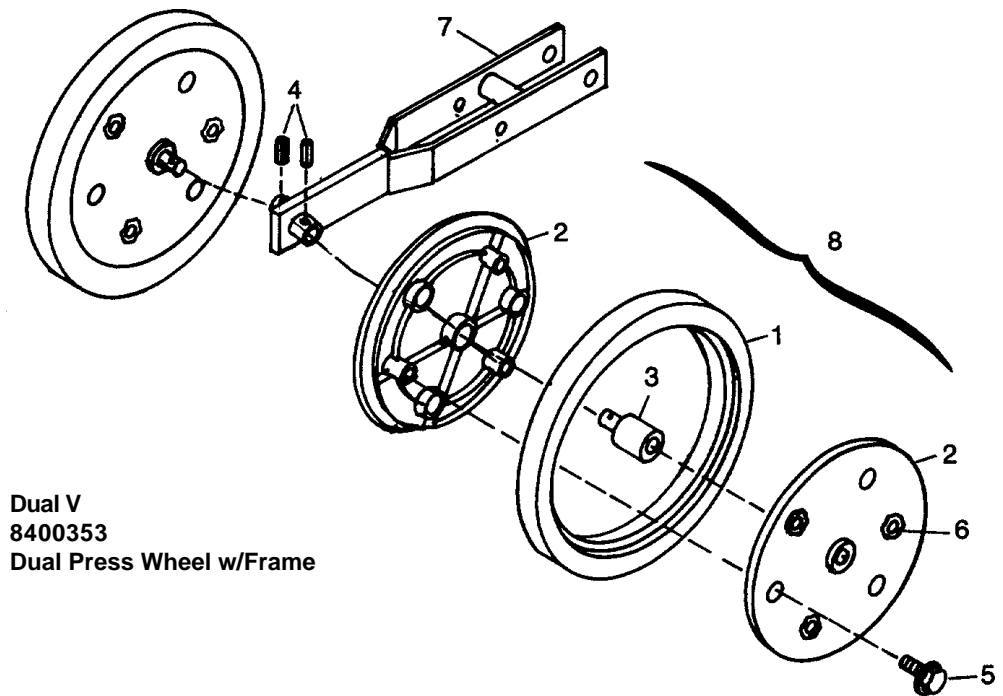
ITEM	PART NO.	QTY.	DESCRIPTION
1	7500010	1	Disk 14"
2	2000031	1	Bearing
3	7500167	1	Cage
4	8400314	1	Disk Seal Plate
5	7500160	1	Sleeve
6	2001009	1	Seal
7	4800270	12	Rivets 1/4" x 5/8"
8	7500350	1	Disk (Complete)
9	7500307	1	Cap Spacer
	800079		Brg. Case w/Brg.

SERIAL NO. 3822 & UP



ITEM	PART NO.	QTY.	DESCRIPTION
1	7500064	1	Coulter, 14" - 6 Hole
2	2000031	1	Brg.
3	7500165	1	Cage
4	4800161	6	1/2" - 13 x 1" Button Hd. Socket Screw
5	4900014	6	Lock Nut, 1/2"
6	7500187	1	Coulter (Complete)
7	7500160	1	Sleeve
8	5000009	2	Shim Washer

ITEM	PART NO.	QTY.	DESCRIPTION
1	7500010	1	Disk, 14"
2	2000031	1	Brg.
3	7500167	1	Cage
4	4800039	12	Rivets, 1/4" x 1/2"
5	7500188	1	Disk (Complete)
6	7500160	1	Sleeve
7	5000009	2	Shim Washers
	7400258		Cap\Dust\100_Drill



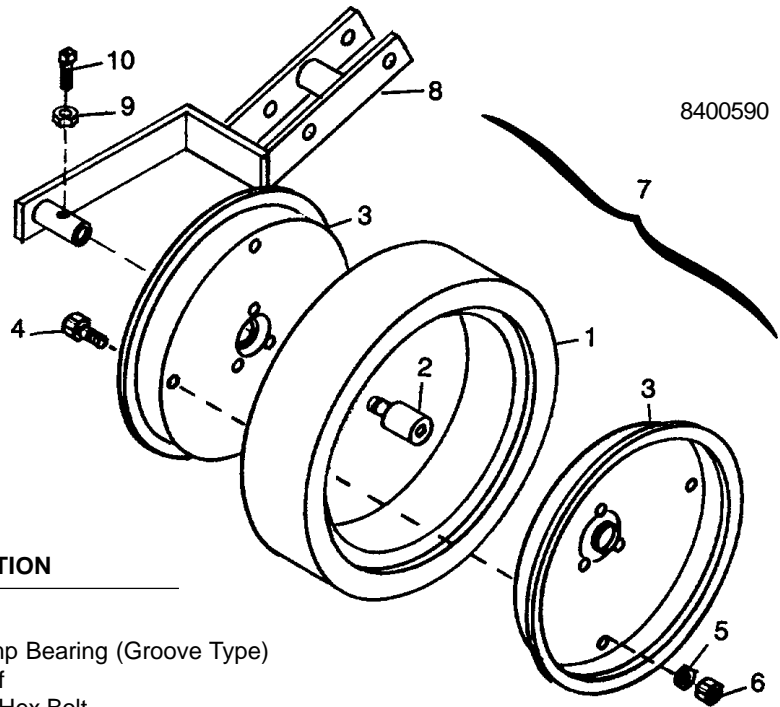
Dual V
8400353
Dual Press Wheel w/Frame

ITEM	PART NO.	QTY.	DESCRIPTION
1	2600011	2	1" x 12" Rubber Tire
2	2600614	4	Wheel Half
3	2000024	2	Water Pump Bearing
4	4800131	2	1/4"x1" Rolled Pin
5	4800165	12	1/4" x 1" Whiz Lock Flange Screw
6	4900009	12	1/4" Hex Nut
7	8400377	1	Packer Wheel Frame
8	7500076	2	Packer Wheel Complete w/hole in brg.

PRESS WHEEL ASSEMBLY

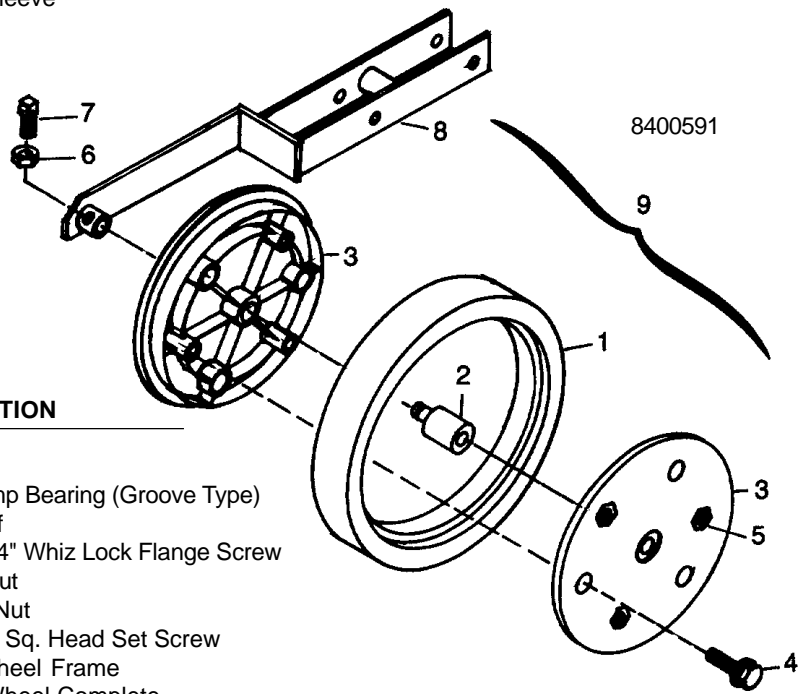
4" x 16"

8400594
Complete Press Wheel With
Water Pump By Groove



ITEM	PART NO.	QTY.	DESCRIPTION
1	2600021	1	Tire 4 x 16
2	2000039	1	Water Pump Bearing (Groove Type)
3	2600622	2	Wheel Half
4	4800164	7	3/8" x 3/4" Hex Bolt
5	5000019	7	3/8" Lock Washer
6	4900002	7	3/8" Hex Nut
7	7500151	1	4 x 16 Wheel Complete
8	8400480	1	Packer Wheel Frame Long
9	4900026	1	3/8" Jam Nut
10	4800250	1	3/8" x 3/4" Sq. Head Set Screw
	8400479	1	Packer Wheel Frame Short
	8400237	1	Packer Wheel Frame Roll Pin
	2000037	1	Bearing Sleeve

2" x 13"

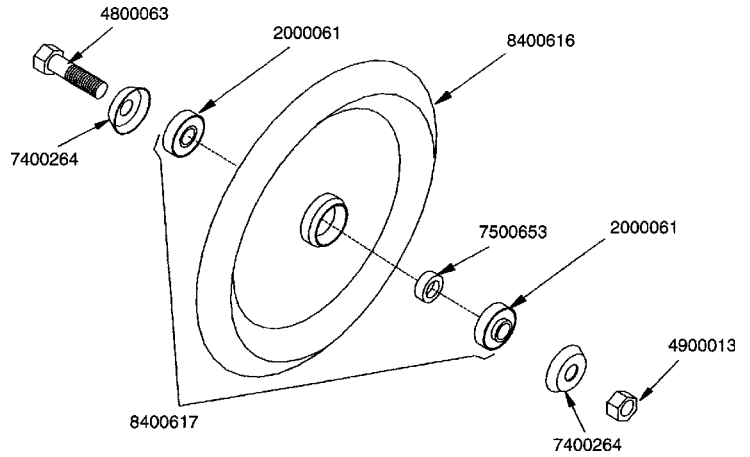


ITEM	PART NO.	QTY.	DESCRIPTION
1	2600015	1	Tire
2	2000039	1	Water Pump Bearing (Groove Type)
3	2600628	2	Wheel Half
4	4800280	6	1/4" x 1-3/4" Whiz Lock Flange Screw
5	4900009	6	1/4" Hex Nut
6	4900026	1	3/8" Jam Nut
7	4800250	1	3/8" x 3/4" Sq. Head Set Screw
8	8400347	1	Packer Wheel Frame
9	2600801	1	2" x 13" Wheel Complete

Limited had PN 7500076 on this frame.

PRESS WHEEL ASSEMBLY

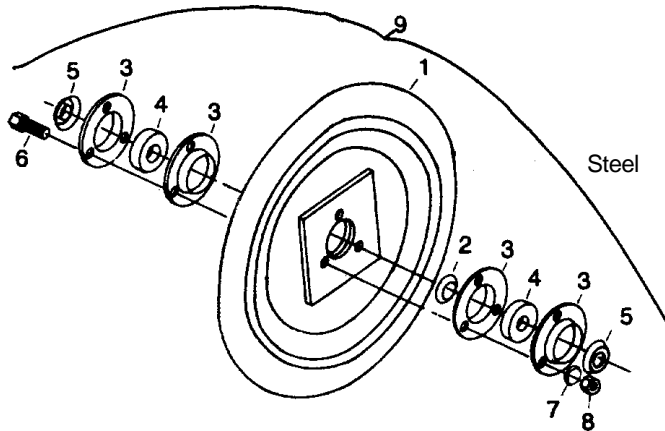
SERIAL NO. 101 & UP



TO RETROFIT DRILL WITH SERIAL NO. 1550 & UP
ORDER PART 8400617 & 4800063

PART NO.	QTY.	DESCRIPTION
8400617		Press Wheel Assembly
2000061	2	Brg/3/4/FHR204-12
7500653	1	Spchr/Wheel/Packer/107
8400616	1	Whl/Stl; Packer/107
7400264	2	Packer Wheel Cap - No Pilot
4800063	1	Bolt\Hex\3/4 x 4
4900139	1	Nut\Toplock\3/4

8400355
Press Wheel w/Frame
Complete



ITEM	PART NO.	QTY.	DESCRIPTION
1	8400105	1	Packer Wheel, Steel Round - Not Available Order 8400616
2	5000010	1	Spacer Washer, 1-5/8" x 3/4" x .090
3	2000705	4	3-Hole Flangettes
4	2000020	2	Bearing, 3/4"
5	7400044	2	Bearing Shield 5/8" I.D.
	7400264	2	Bearing Shield 25/32" I.D.
6	4800071	3	Bolt, 5/16" x 1-1/4", Gr. 5
7		3	Star Washer, 5/16"
8	4900017	3	Hex Nut, 5/16"
9	7500066	1	Packer Wheel (Complete) - Not Available Order 8400617
	8400745		Bush\Whl\Prss\3/4ODX16GA

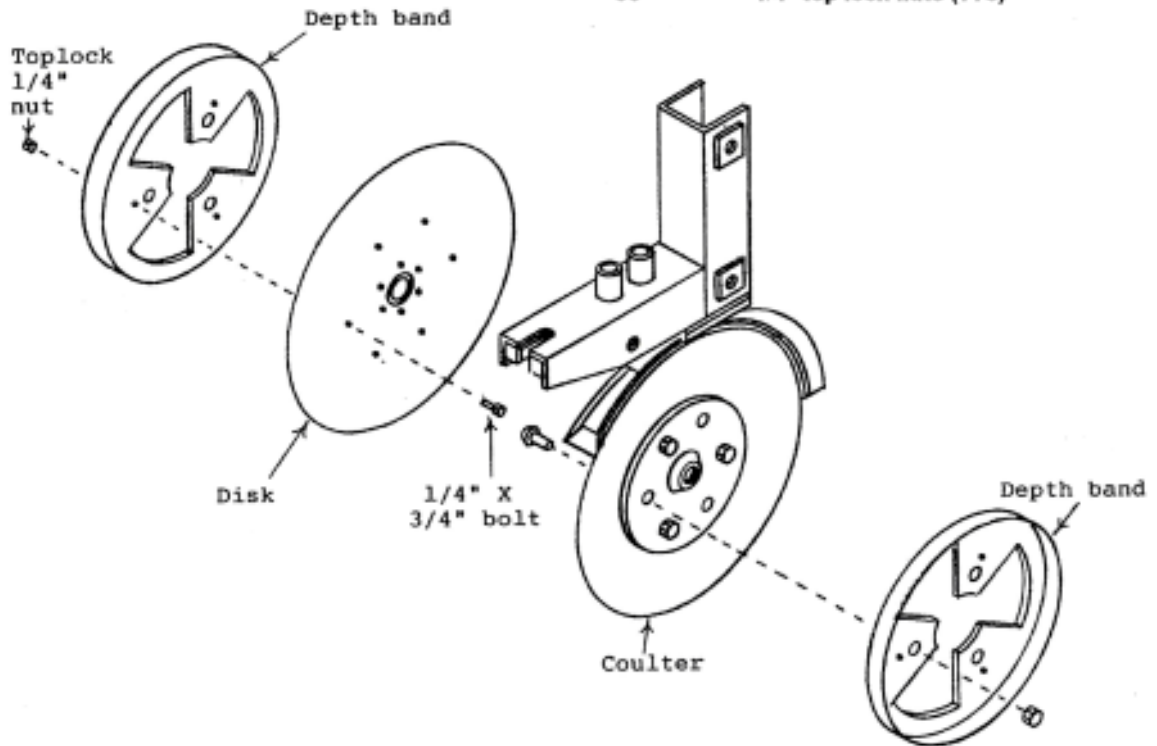
DEPTH BAND INSTALLATION

Depth Band Installation

- Step 1. Remove disk as shown in illustration
- Step 2. Remove the three rivets matching small holes in depth band from the disk
- Step 3. Bolt depth band to disk using (3) 1/4" X 3/4" bolts and (3) 1/4" toplock nuts
- Step 4. Remove the three bolts matching large holes in depth band from the coultter. It is not necessary to remove coultter from opener.
- Step 5. Using bolts removed in step 4, bolt depth band to coultter.
- Step 6. Reinstall disk on opener

Depth Band Kit

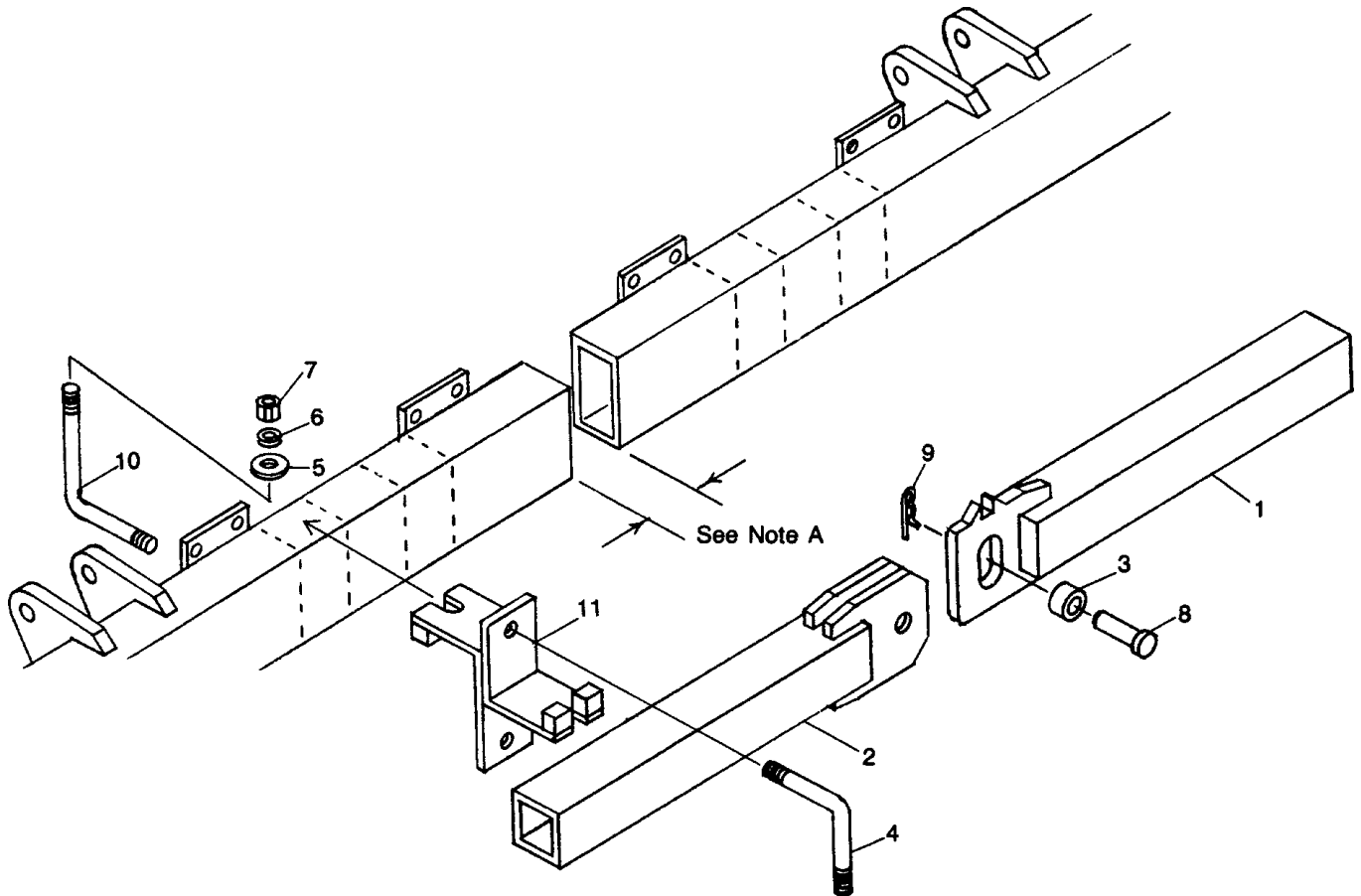
Qty. per drill	Description
36	Depth Bands Part # 8400645 (107c)
24	Depth Bands Part # 8400729 (77c)
54	1/4" x 3/4" bolts (107c)
36	1/4" x 3/4" bolts (77c)
54	1/4" top lock nuts (107c)
36	1/4" top lock nuts (77c)





FRONT STABILIZER

NOTE: For drill with disc type banding openers, mount stabilizer in front of banding tool bar. See illustration.

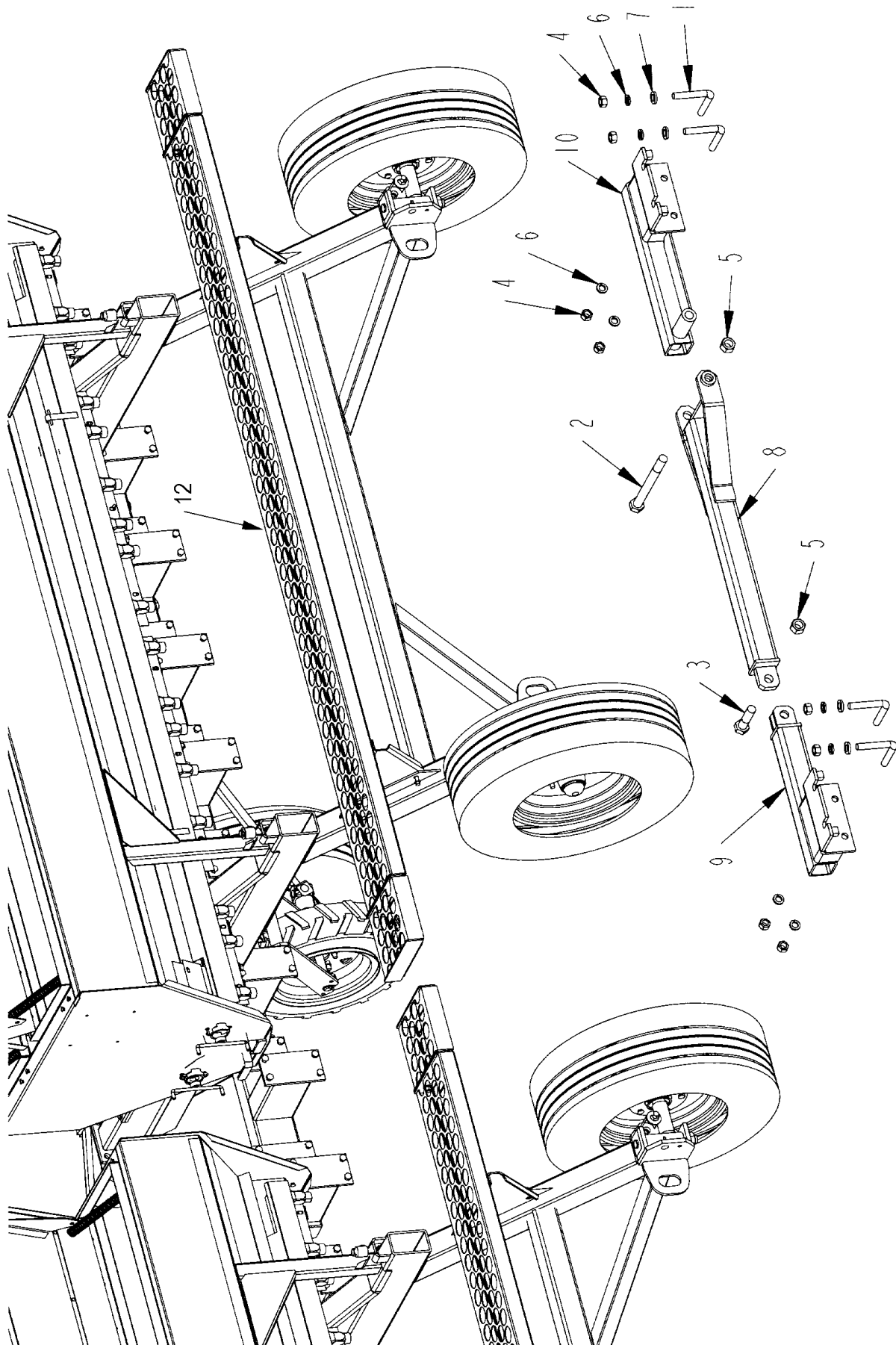


NOTE: A

Space tool bars 3" apart for 7" spacing.
 Space tool bars 10" apart for paired row 6-14 spacing.
 Mount double clamps as far apart as possible.
 Space tool bars 6" apart for 10" spacing.

ITEM	PART NO.	QTY.	DESCRIPTION
1	8400183	1	Male Stabilizer
2	8400184	1	Female Stabilizer
3	8400185	1	1-1/2" O.D. x 1" I.D. Bushing
4	4800183	4	3/4" L-Bolt 5-1/4" O.D. x 5-1/4" O.D.
5	5000005	8	3/4" Flat Washer
6	5000012	16	3/4" Lock Washer
7	4900004	16	3/4" Hex Nut
8	4800185	1	1" x 3" Clevis Pin
9	4800157	1	3/16" x 2" Cotter Key
10	4800199	4	3/4" L-Bolt 5-1/4" O.D. x 7-1/4" O.D.
11	8400186 8300456	4	Double Clamp KIT\STBLZR\FRONT\107

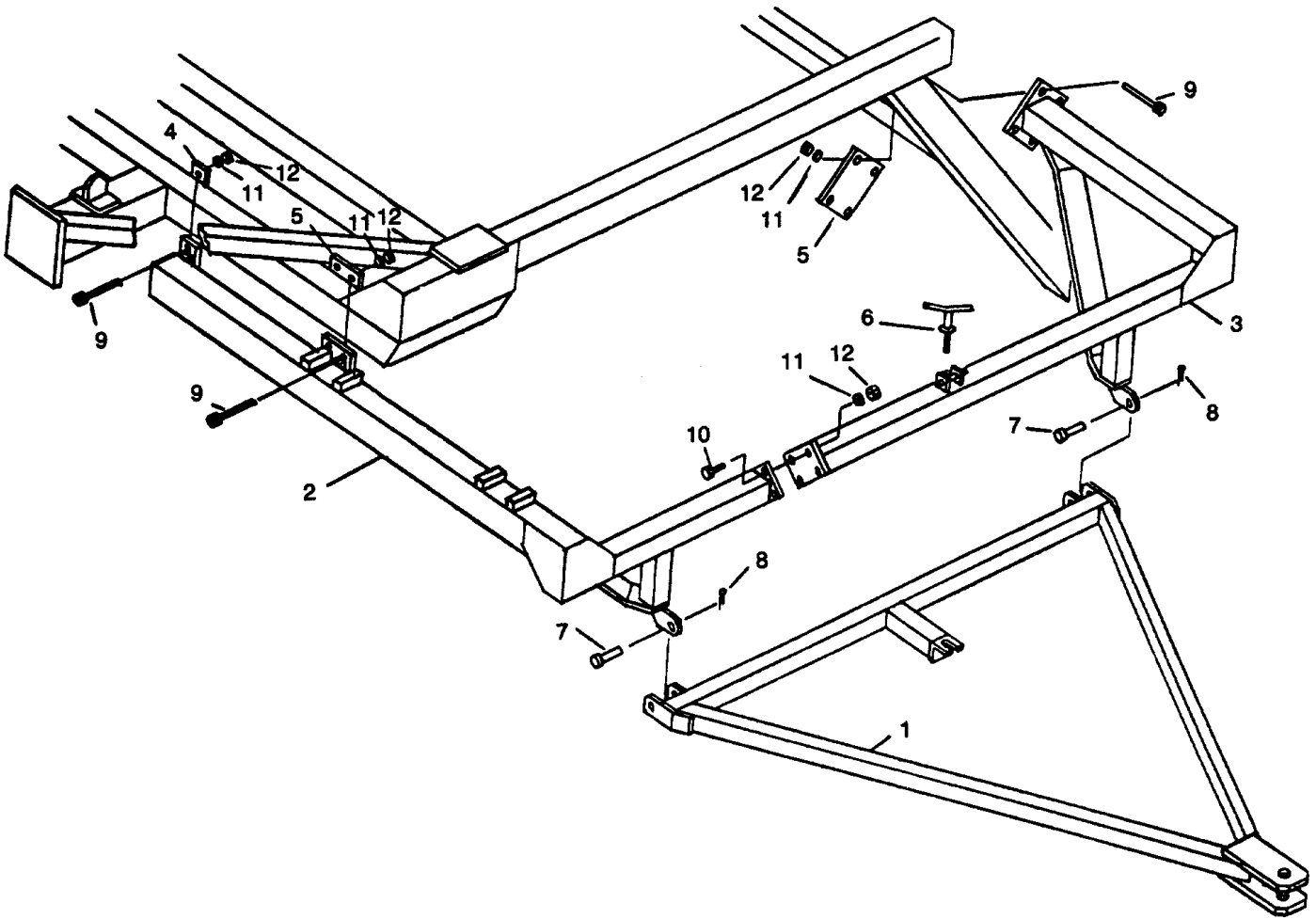
REAR STABILIZER



REAR STABILIZER

ITEM	PART NO.	QTY.	DESCRIPTION
1	4800183	4	BOLT\L\3/4\5-1/4X5-1/4
2	4800626	1	BOLT\HEX\1X11\NC
3	4800647	1	BOLT\HEX\1X4\NC
4	4900004	8	NUT\HEX\3/4\NC
5	4900015	2	NUT\NYLCK\1\NC
6	5000012	8	WASH\LOCK\3/4
7	5000115	4	WASH\FLAT\3/4\EXTRTHK\GR8
8	8400201	1	BAR\STBLZR\CTR\REAR
9	8400202	1	MNT\STBLZR\RH\REAR
10	8400203	1	MNT\STBLZR\LH\REAR
11	8400378	1	Rear Stabilizer Kit 2 Drill
12	8400040		WALKWAY\100_SERIES

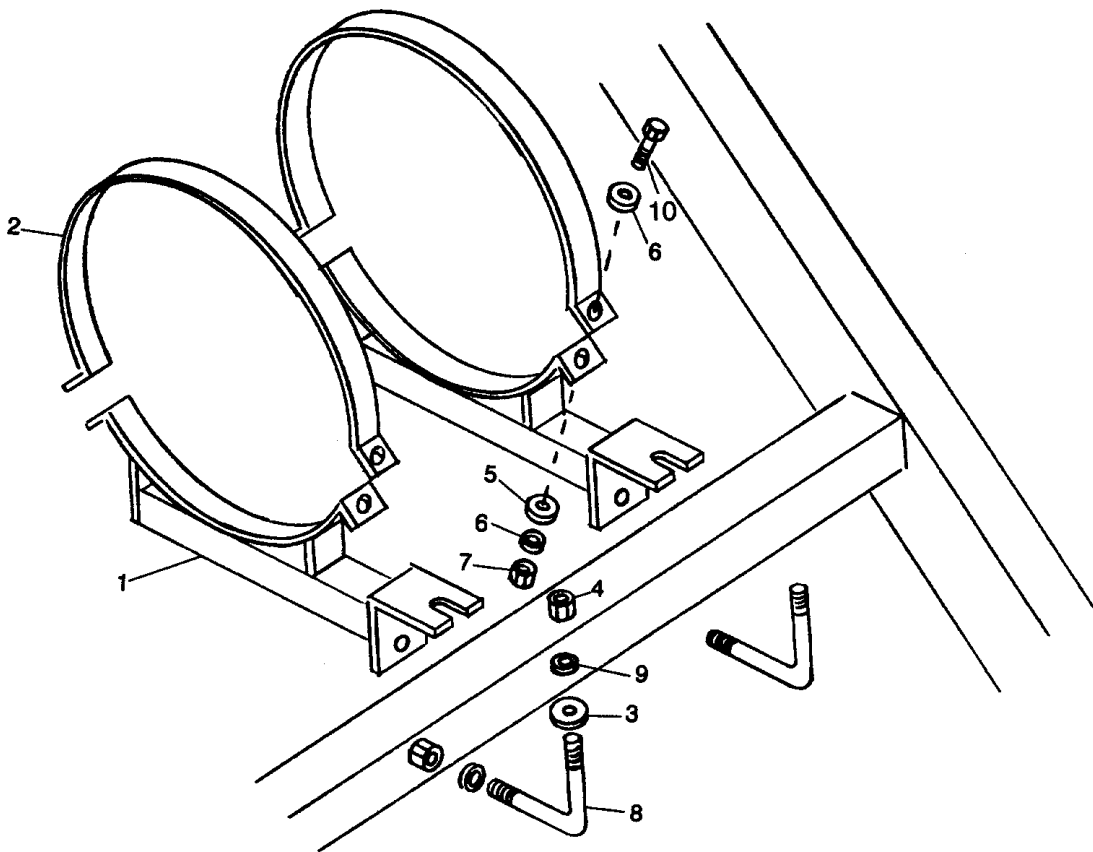
TOW HITCH



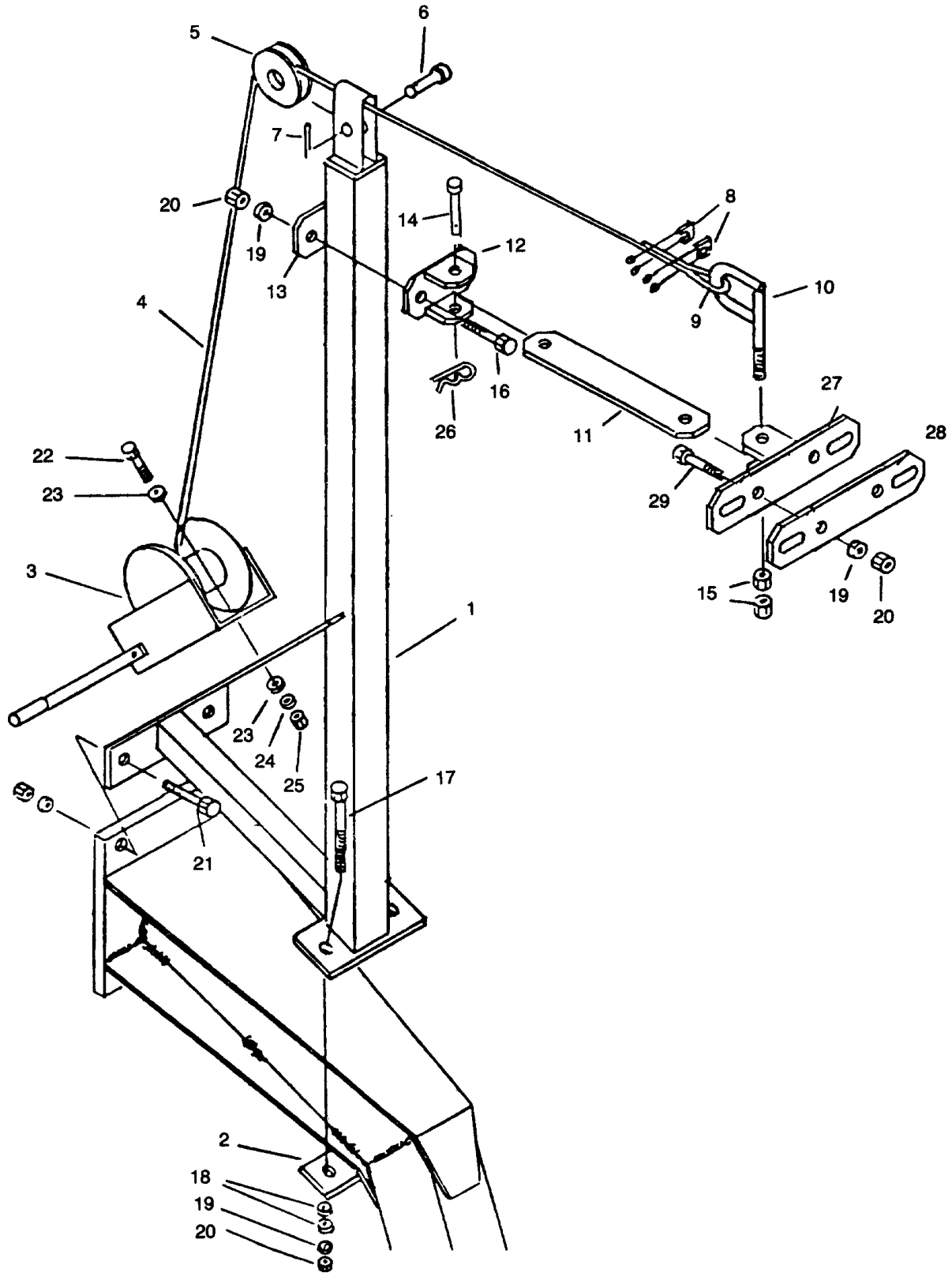
ITEM	PART NO.	QTY.	DESCRIPTION
1	8400226	1	End Tow Hitch
2	8400227	1	Front Mount
3	8400228	1	Rear Mount
4	8400229	1	Front Mount Strap
5	8400230	2	Mount Straps
6	8400231	1	Hold Up Handle for End Tow Hitch
7	4800046	2	3/4" x 3" Pin
8	4800050	2	3/16" x 1-1/2" Cotter Pin
9	4800041	10	1/2" x 5" Bolt
10	4800082	4	1/2" x 1-1/2" Bolt
11	5000006	14	1/2" Lock Washer
12	4900001	14	1/2" Hex Nut

BALLAST BRACKET

ITEM	PART NO.	QTY.	DESCRIPTION
1	8400211	4	Saddle
2	8400178	4	TLE Strap
3	5000005	8	3/4" Flat Washer
4	4900004	8	3/4" Hex Nut
5	5000001	8	3/8" Flat Washer
6	5000019	8	3/8" Lock Washer
7	4900002	8	3/8" Hex Nut
8	4800183	4	3/4" L-Bolt
9	5000012	8	3/4" Lock Washer
10	4800146	8	3/8" x 2" Bolt
	8400474		Kit - 2 Barrel Mount Bracket



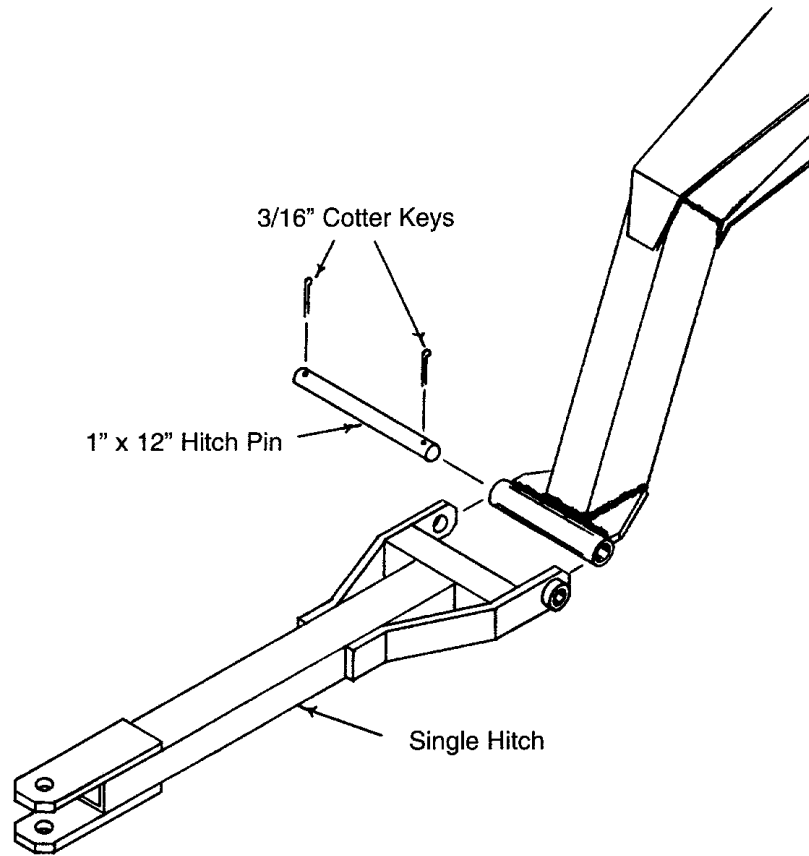
HITCH LIFT



HITCH LIFT

ITEM	PART NO.	QTY.	DESCRIPTION
	8400589		Hitch Lift Kit (only for 3 or more drill hitch set-up)
1	8300293	1	Lift Frame
2	8300294	1	Lift Mount Strap 2" x 6"
3	5800004	1	Winch
4	5800311	1	1/4" Cable 12' Long
5	1400082	1	Cable Sheaves
6	4800030	1	5/8" x 2" Clevis Pin
7	4800123	1	1/8" x 1 -1/2" Cotter Pin
8	4800027	2	1/4" Cable Clamp
9	7500121		1/4" Cable Thimble
10	8300356	1	I Bolt
11	8300295	1	Hold Up Bar 2" x 11-1/2"
12	8300296	1	Hold Up Bar Mount 4-1/2" Long
13	8300297	1	Hold Up Bar Strap 4-1/2" Long x 2"
14	4800119	1	5/8" x 3-1/2" Clevis Pin
15	4900005	4	5/8" Nuts
16	4800188	2	1/2" x 4" Bolt
17	4800235	2	1/2" x 6-1/2" Bolt
18	5000004	4	1/2" Flat Washer
19	5000006	6	1/2" Lock Washer
20	4900001	6	1/2" Hex Nut
21	4800017	2	3/4" x 3" Bolt
22	4800098	3	3/8" x 1-1/4" Bolt
23	5000001	6	3/8" Flat Washer
24	5000019	3	3/8" Lock Washer
25	4900002	3	3/8" Hex Nut
26	4800107	1	1-1/8" Hair Pin
27	8300298	1	Hold Up Bar Mount
28	8300299	1	Hold Up Bar Strap
29	4800188	2	1/2" x 4" Hex Bolt
	4800141	2	1/2" x 4-1/2" Hex Bolt

DRILL SINGLE HITCH



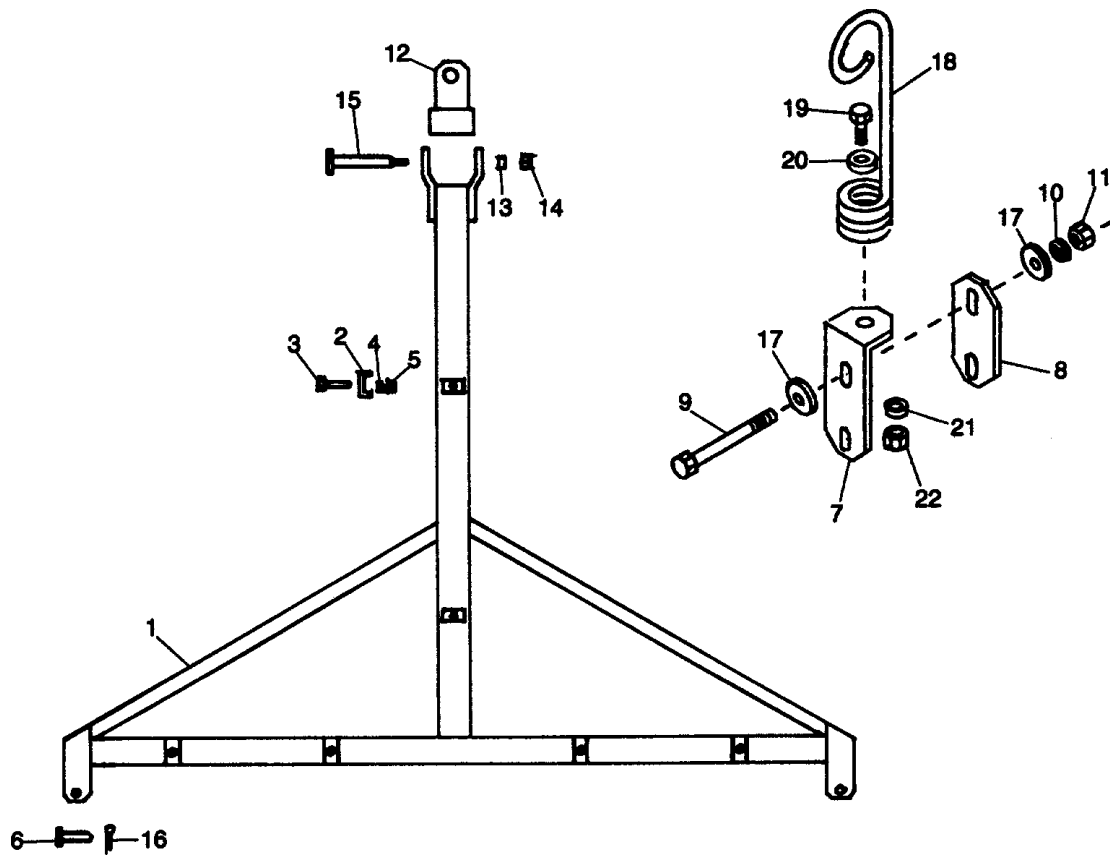
ITEM	PART NO.	QTY.	DESCRIPTION
1	8400664	1	Hitch\SINGLE\107& 8000
2	8400569	1	1" x 12" Hitch Pin
2A	4800626	1	BOLT\HEX\1X11\NC\GR5
3	4800157	2	3/16" x 2" Cotter Key
3A	4900015	1	NUT\NYLCK\1\NC

NOT SHOWN

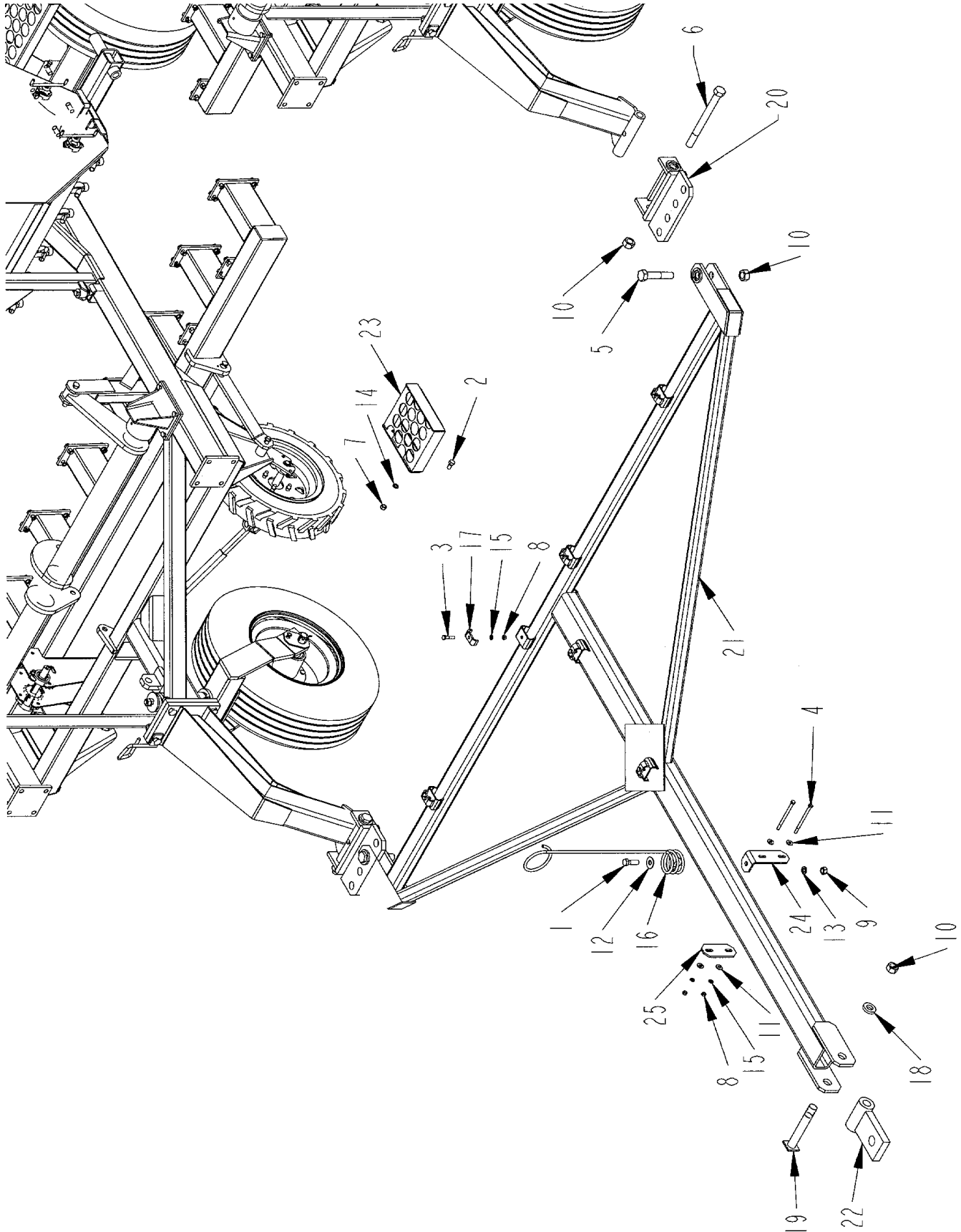
8400650	2 WAY SWIVEL HITCH
8400579	STEEP TERRAIN HITCH
8400307	SINGLE DRILL HITCH KIT
1100221	CHAIN\3/8\GR43\5FTW/HOOKS&KEEPERS

2 DRILL HITCH SN UP TO 4121

ITEM	PART NO.	QTY.	DESCRIPTION
1	8400193	1	Hitch
2	4700777	10	CLMP\HOSE\1/2\PLATED
3	4800142	10	3/8" x 1-3/4" Bolt
4	5000019	10	3/8" Lock Washer
5	4900002	10	3/8" Hex Nut
6	8300497	2	1" x 6" Hitch Pin
7	8800095	1	Hose Minder Mount
8	8800096	1	Hose Minder Strap
9	4800226	2	3/8" x 5-1/2" Bolt
10	5000019	2	3/8" Lock Washer
11	4900002	2	3/8" Hex Nut
12	8400196	1	Hitch Block
13	8300341	1	2" O.D. x 1.028 I.D. 3/8" Thick Washer
14	4900015	1	1" Nylon Lock Nut
15	8300498	1	Hitch Block Pin
16	4800103	2	1/4" x 2" Cotter Pin
17	5000001	4	3/8" Flat Washer
18	7500170	1	Hose Minder
19	4800010	1	5/8" x 2" Bolt
20	5000002	1	5/8" Flat Washer
21	5000003	1	5/8" Lock Washer
22	4900005	1	5/8" Nut



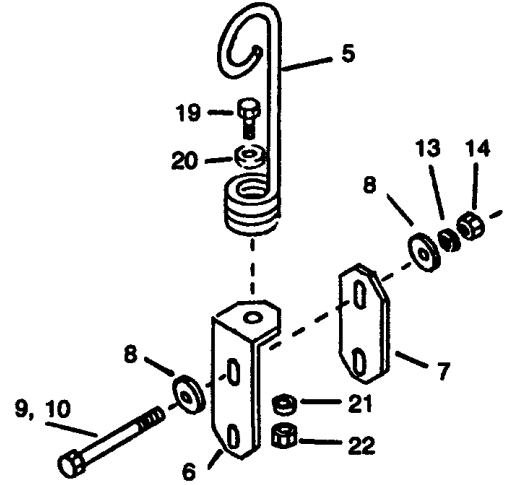
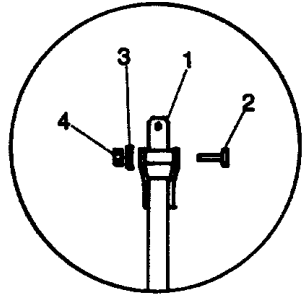
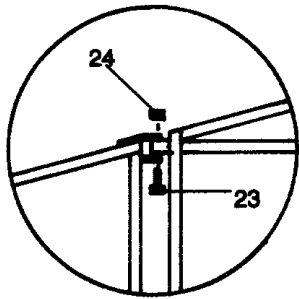
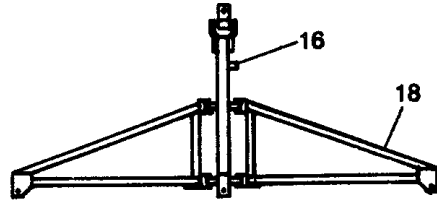
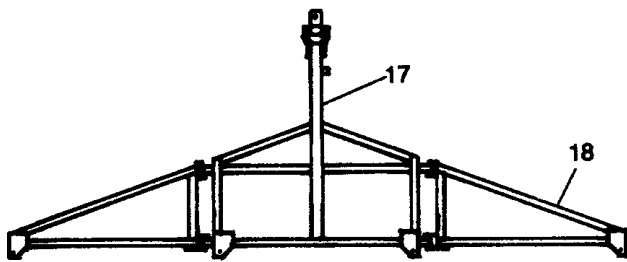
2 DRILL HITCH SN 4122 & UP



2 DRILL HITCH SN 4122 & UP

ITEM	PART NO.	QTY.	DESCRIPTION
	8400394	1	2 DRILL HITCH KIT (INCLUDES REAR STABILIZER KIT)
1	4800010	1	BOLT\HEX\5/8X2
2	4800085	8	BOLT\HEX\1/2X1
3	4800125	10	BOLT\HEX\3/8X1-3/4
4	4800226	2	BOLT\HEX\3/8X5-1/2
5	4800546	2	BOLT\HEX\1X5\NC
6	4800626	2	BOLT\HEX\1X11\NC
7	4900001	8	NUT\HEX\1/2\NC
8	4900002	12	NUT\HEX\3/8\NC
9	4900005	1	NUT\HEX\5/8\NC
10	4900015	5	NUT\NYLCK\1\NC
11	5000001	4	WASH\FLAT\3/8
12	5000002	1	WASH\FLAT\5/8
13	5000003	1	WASH\LOCK\5/8
14	5000006	8	WASH\LOCK\1/2
15	5000019	12	WASH\LOCK\3/8
16	7500170	1	HOSE MINDER
17	8300326	10	MNDR\HOSE
18	8300341	1	WASH\2X1.028X3/8
19	8300498	1	PIN\HITCH
20	8400034	2	HITCH\BLK
21	8400193	1	HITCH\2\DRILL\107
22	8400196	1	BLK\HITCH
	OR		
	8400667	1	BLK\HITCH\CLEVIS
23	8400666	4	STEP\XTNSN\WLKWY
24	8800095	1	MNT\MINDER\HOSE\DRILL
25	8800096	1	STRAP\MINDER\HOSE\DRILL

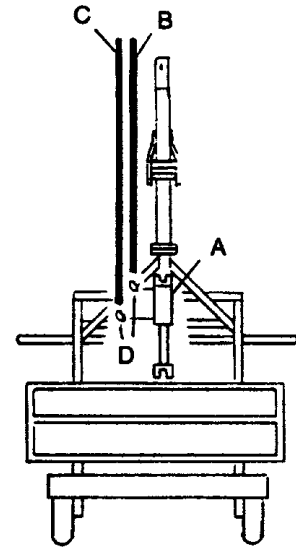
3-4 DRILL HITCH



ITEM	PART NO.	QTY.	DESCRIPTION
1	8400196	1	Hitch Block
2	8300498	1	Hitch Block Pin
3	8300341	1	2" O.D. x 1.028 I.D. 3/8" Thick Washer
4	4900015	1	1" Nylon Insert Nut
5	7500170	2	Hose Minder
6	8800095	2	Hose Minder Mount
7	8800096	2	Hose Minder Strap
8	5000001	4	3/8" Flat Washer
9	4800226	2	3/8" x 5-1/2" Bolt
10	4800089	2	3/8" x 4" Bolt
11	4700777	4	CLMP\HOSE\1/2\PLATED
12	4800142	4	3/8" x 1-3/4" Bolt
13	5000019	8	3/8" Lock Washer
14	4900002	8	3/8" Nut
15	5800601	1	Jack 2 SM-10
16	8400194	1	3" Drill Center Pole
17	8400197	1	4" Drill Center Pole
18	8400195	2	Small Wings
19	4800010	2	5/8" x 2" Bolt
20	5000002	2	5/8" Flat Washer
21	5000003	2	5/8" Lock Washer
22	4900005	2	5/8" Nut
23	4800187	4	1" x 6" Bolt
24	4900015	4	1" Nylon Insert Nut
25	8300497	1 Per Drill	1" x 6" Hitch Pin
26	4800103	1 Per Drill	1/4" x 2" Cotter Pin

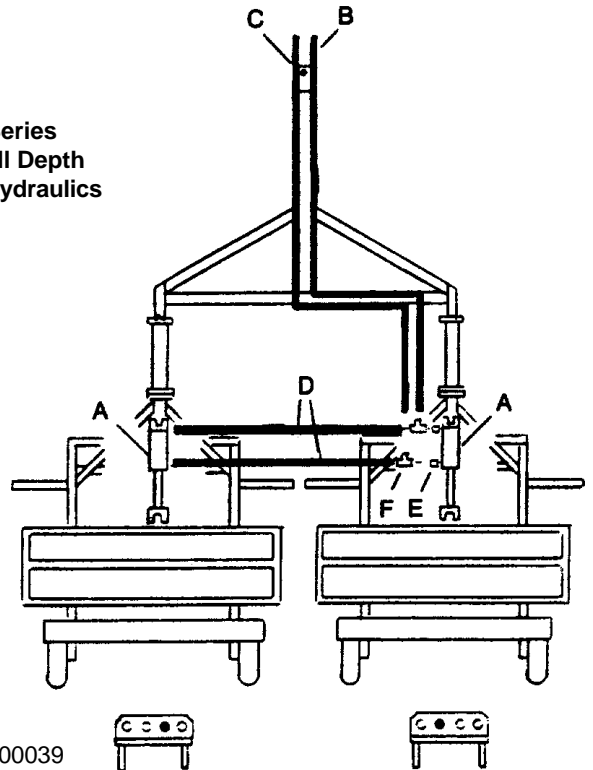
SINGLE DRILL & 2 DRILL HYDRAULICS

100 Series
Single Drill Depth
Control Hydraulics



ITEM	PART NO.	QTY.	DESCRIPTION
A	4100039	1	3" x 8" Cylinder
B	3700153	1	108" - 1/2" Hose
C	3700151	1	120" - 1/2" Hose
D	3800008	2	90° St. Elbow

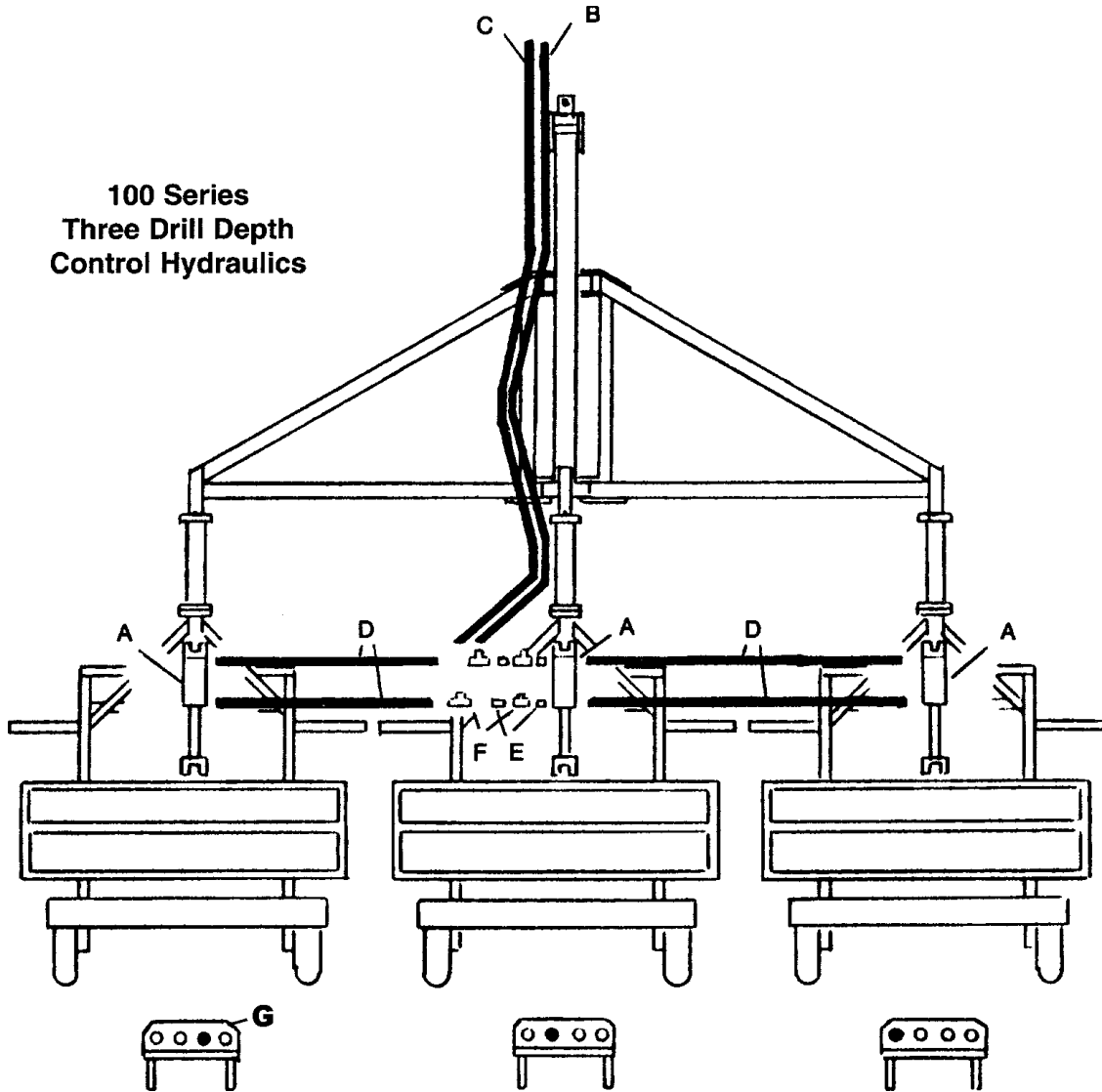
100 Series
Two Drill Depth
Control Hydraulics



ITEM	PART NO.	QTY.	DESCRIPTION
A	4100039	2	3" x 8" Cylinder
B	3700119	1	216" - 1/2" Hose
C	3700120	1	240" - 1/2" Hose
D	3700061	2	132" - 1/2" Hose
E	3800086	2	1/2" x 1-1/2" Nipple
F	3800009	2	1/2" Tee
G	8400034		HITCHBLOCK\107
	4100045		3 X 8 SEAL KIT-HYD CYL. FOR 4100039

3 DRILL HYDRAULICS

100 Series
Three Drill Depth
Control Hydraulics



ITEM	PART NO.	QTY.	DESCRIPTION
A	4100039	3	3" x 8" Cylinder
B	3700118	1	192" - 1/2" Hose
C	3700119	1	216" - 1/2" Hose
D	3700061	4	132" - 1/2" Hose SW-SO
E	3800086	4	1/2" x 1-1/2" Nipple
F	3800009	4	1/2" Tee
G	8400034		HITCH/BLOCK107

NOT SHOWN
4100045 3x8 Seal Kit - Hyd Cyl.

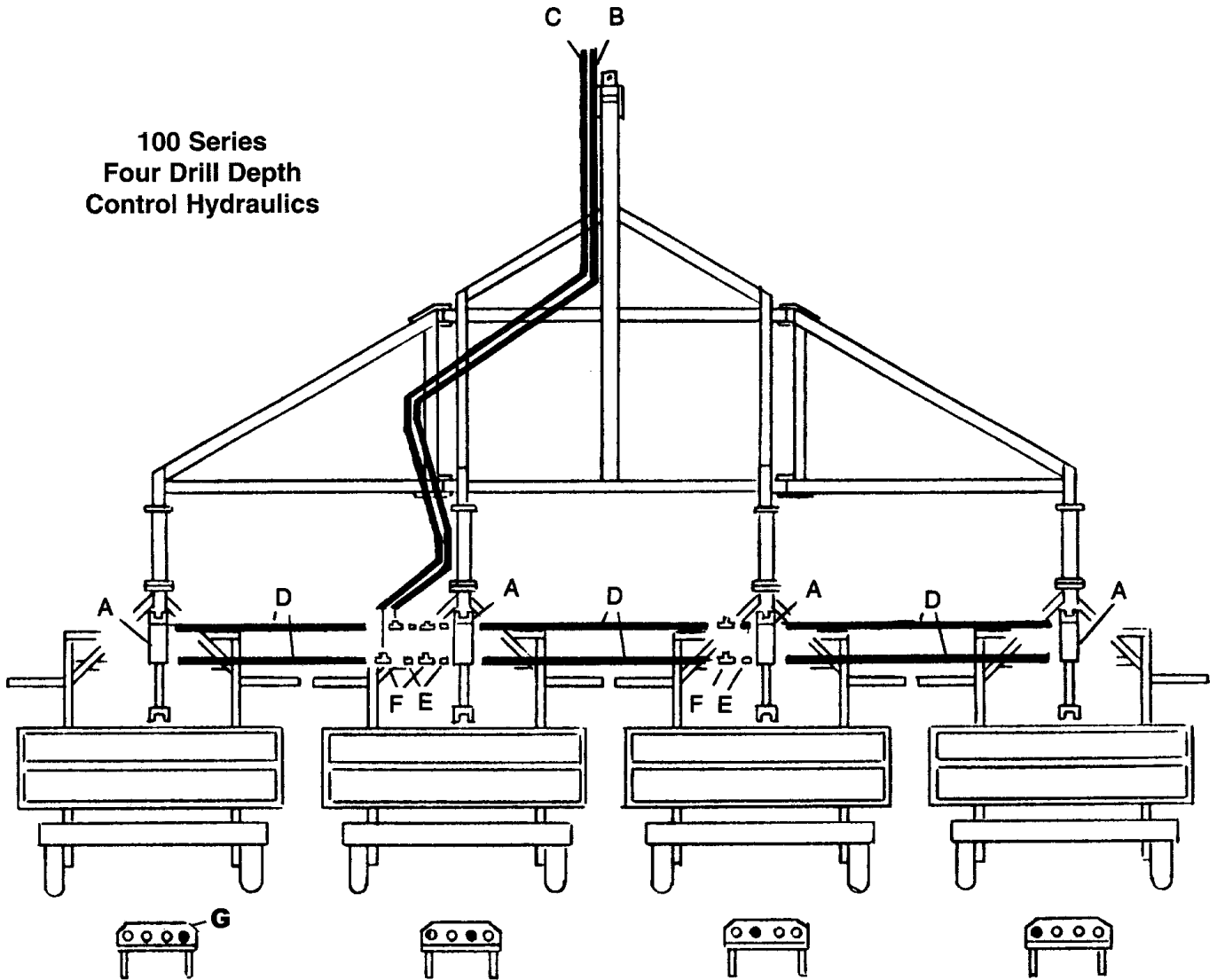
4 DRILL HYDRAULICS

ITEM	PART NO.	QTY.	DESCRIPTION
A	4100039	4	3" x 8" Cylinder
B	3700095	1	252" - 1/2" Hose SW-SO
C	3700101	1	276" - 1/2" Hose SW-SO
D	3700061	6	132" - 1/2" Hose SW-SO
E	3800086	6	1/2" x 1-1/2" Nipple
F	3800009	6	1/2" Tee
G	8400034		HITCH\BLOCK\107

NOT SHOWN

4100045

3x8 Seal Kit - Hyd Cyl.



HAYBUSTER

ENGAGE LOCKS AFTER DRILLS
ARE RAISED FOR TRANSPORT
DISENGAGE BEFORE LOWERING

14

107

17

WARNING

CHEMICALS MAY CAUSE EYE, SKIN AND BREATHING PROBLEMS. WEAR FACE MASK, GLOVES AND GOGGLES. READ AND FOLLOW SAFETY INSTRUCTIONS ON THE CHEMICAL SUPPLIERS LABEL.

5500182

KEEP WHEEL BOLTS TIGHT

13

16

⚠ WARNING

FOR YOUR PROTECTION KEEP ALL SHIELDS IN PLACE AND SECURED WHILE MACHINE IS OPERATING. MOVING PARTS WITHIN CAN CAUSE SEVERE PERSONAL INJURY.

⚠ ADVERTENCIA

PARA ASEGURAR SU PROTECCION, MANTENGA TODOS LOS PROTECTORES EN SU LUGAR Y ASEGURADOS MIENTRAS LA MAQUINA ESTE OPERANDO. LAS PIEZAS MOVILES INTERNAS PUEDEN CAUSAR LESIONES PERSONALES GRAVES.

12

⚠ WARNING

NO RIDERS
SERIOUS PERSONAL INJURY COULD RESULT FROM RIDING ON STEP

⚠ ADVERTENCIA

NO MONTE
SERIAS HERIDAS PERSONAL PUEDEN RESULTAR MONTANDO EL ESCALON

15

⚠ WARNING

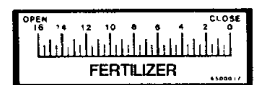
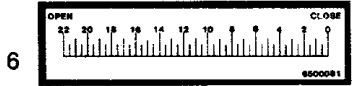
FOR YOUR PROTECTION AND PROTECTION OF OTHERS PRACTICE THE FOLLOWING SAFETY RULES:

- BEFORE OPERATING THIS MACHINE, READ THE OPERATOR'S MANUALS SUPPLIED WITH THIS MACHINE AND YOUR TRACTOR.
- CHECK OPERATOR MANUALS TO BE SURE YOUR TRACTOR MEETS THE MINIMUM REQUIREMENTS TO USE THIS MACHINE.
- READ ALL MANUALS PLACED ON THIS MACHINE FOR YOUR SAFETY AND CONVENIENCE.
- NEVER ALLOW CHILDREN TO BE NEAR OR IN PROXIMITY OF THE TRACTOR.
- KEEP THE ENGINE HOOD THIS MACHINE OPEN DURING OPERATION.
- KEEP ALL CHILDREN OFF THE MACHINE WHEN IT IS OPERATING.
- KEEP HANDS OFF OF ALL CONTROLS AT LEAST 10 FEET AWAY FROM POWER DRIVEN PARTS.
- ALWAYS STOP THE MACHINE AND ENGINE BEFORE SERVICING OR LOGGING.
- DO NOT OPERATE THIS MACHINE FOR ANY REASON, IN ANY PLACE, UNLESS YOU HAVE BEEN TRAINED AND WAIT FOR ALL MOVEMENT TO STOP BEFORE APPROACHING THE MACHINE.

⚠ ADVERTENCIA

SIGA LAS REGLAS SIGUIENTES DE SEGURIDAD PARA SU PROTECCION Y LA PROTECCION DE OTROS:

- LEA LOS MANUALES DEL OPERADOR INCLUIDOS CON ESTA MAQUINA Y SU TRACTOR ANTES DE OPERAR ESTA MAQUINA.
- PARA ASEGURARSE QUE SU TRACTOR CUMPLE CON LOS REQUISITOS MÍNIMOS PARA ESTA MAQUINA, REVISÉ LOS MANUALES DEL OPERADOR INCLUIDOS EN LA MAQUINA.
- PARA SU SEGURIDAD Y CONVENIENCIA, LEA TODAS LAS CALCAMANIAS COLGADAS EN LA MAQUINA.
- NUNCA PERMITA PASAJEROS EN ESTA MAQUINA O EN EL TRACTOR.
- MANTENGA ALCORCADO A LOS ESPECTADORES MIENTRAS ESTA MAQUINA ESTE OPERANDO.
- MANTENGA TODOS LOS PROTECTORES EN SU LUGAR MIENTRAS LA MAQUINA ESTE OPERANDO.
- MANTENGA LAS MANOS, PIES, ROPAS HOLLADAS, ETC. ALEJADAS DE LAS PIEZAS PROPULSIONADAS.
- SIEMPRE APAGUE LA MAQUINA Y EL MOTOR ANTES DE PRESTAR SERVICIO, DESTRABAR, INSPECCIONAR O TRABAJAR CERCA DE ESTA MAQUINA POR CUALQUIER MOTIVO, ANTES DE ACFERIRSE A ESTA MAQUINA O CUALQUIER PARTE DE LA TRANSMISION EN ESTACIONAMIENTO O ENGANCHE EL FRENO DE ESTACIONAMIENTO.



SEED DEPTH

ADJUST EXTRA WASHERS HERE.
REMOVE WASHERS TO INCREASE SEEDING DEPTH.
MOVE WASHERS

SOIL PENETRATION

IMPORTANT: ADJUSTING PRESSURE SPRING TO LESS THAN 40 POUNDS WILL VOID WARRANTY.

ADJUST SPRING CEMENTS WITH DRILL RAISED.

CONVENTIONAL TILL SOFTEN SOIL

SPRING LENGTH	SPRING PRESSURE
17 IN. (430MM)	11 LB. (5.0KG)
18 IN. (457MM)	15 LB. (6.8KG)
19 IN. (483MM)	20 LB. (9.1KG)
20 IN. (508MM)	25 LB. (11.3KG)

MULTI-PASS SOIL

PARALLEL BAR ADJUSTMENT

ADJUST SPRING WITH DRILL RAISED TO PROPER LEVEL WITH DRILL ON OR OFF. DO NOT ADJUST PARALLEL BARS.

OPERATING WITH PARALLEL BARS TOO LOW IN FRONT WILL CAUSE BOTTLE NECKING TO DRILL COMPONENTS AND WILL VOID WARRANTY.

IMPORTANT

AVOID MAKING SHARP TURNS WITH OPENERS IN THE GROUND

3

7

SERIES 100 CHART FOR DRILLING GRAIN IN POUNDS PER ACRE

POINTER SETTING

WHEEL SPACES	1	2	3	4	5	6	7	8	9	10	11	12	13	14	15	16	17	18	19	20	21	22	23	24	25	26	27	28	29	30	31	32	33	34	35	36	37	38	39	40	41	42	43	44	45	46	47	48	49	50																																																																																																																																																																																																																																																																																																																																																																																																																																																																																																																																																																																																																																																																																																																																																																																
WHEEL SPACES	1/2"	3/4"	1"	1 1/4"	1 1/2"	1 3/4"	2"	2 1/4"	2 1/2"	2 3/4"	3"	3 1/4"	3 1/2"	3 3/4"	4"	4 1/4"	4 1/2"	4 3/4"	5"	5 1/4"	5 1/2"	5 3/4"	6"	6 1/4"	6 1/2"	6 3/4"	7"	7 1/4"	7 1/2"	7 3/4"	8"	8 1/4"	8 1/2"	8 3/4"	9"	9 1/4"	9 1/2"	9 3/4"	10"	10 1/4"	10 1/2"	10 3/4"	11"	11 1/4"	11 1/2"	11 3/4"	12"	12 1/4"	12 1/2"	12 3/4"	13"	13 1/4"	13 1/2"	13 3/4"	14"	14 1/4"	14 1/2"	14 3/4"	15"	15 1/4"	15 1/2"	15 3/4"	16"	16 1/4"	16 1/2"	16 3/4"	17"	17 1/4"	17 1/2"	17 3/4"	18"	18 1/4"	18 1/2"	18 3/4"	19"	19 1/4"	19 1/2"	19 3/4"	20"	20 1/4"	20 1/2"	20 3/4"	21"	21 1/4"	21 1/2"	21 3/4"	22"	22 1/4"	22 1/2"	22 3/4"	23"	23 1/4"	23 1/2"	23 3/4"	24"	24 1/4"	24 1/2"	24 3/4"	25"	25 1/4"	25 1/2"	25 3/4"	26"	26 1/4"	26 1/2"	26 3/4"	27"	27 1/4"	27 1/2"	27 3/4"	28"	28 1/4"	28 1/2"	28 3/4"	29"	29 1/4"	29 1/2"	29 3/4"	30"	30 1/4"	30 1/2"	30 3/4"	31"	31 1/4"	31 1/2"	31 3/4"	32"	32 1/4"	32 1/2"	32 3/4"	33"	33 1/4"	33 1/2"	33 3/4"	34"	34 1/4"	34 1/2"	34 3/4"	35"	35 1/4"	35 1/2"	35 3/4"	36"	36 1/4"	36 1/2"	36 3/4"	37"	37 1/4"	37 1/2"	37 3/4"	38"	38 1/4"	38 1/2"	38 3/4"	39"	39 1/4"	39 1/2"	39 3/4"	40"	40 1/4"	40 1/2"	40 3/4"	41"	41 1/4"	41 1/2"	41 3/4"	42"	42 1/4"	42 1/2"	42 3/4"	43"	43 1/4"	43 1/2"	43 3/4"	44"	44 1/4"	44 1/2"	44 3/4"	45"	45 1/4"	45 1/2"	45 3/4"	46"	46 1/4"	46 1/2"	46 3/4"	47"	47 1/4"	47 1/2"	47 3/4"	48"	48 1/4"	48 1/2"	48 3/4"	49"	49 1/4"	49 1/2"	49 3/4"	50"	50 1/4"	50 1/2"	50 3/4"	51"	51 1/4"	51 1/2"	51 3/4"	52"	52 1/4"	52 1/2"	52 3/4"	53"	53 1/4"	53 1/2"	53 3/4"	54"	54 1/4"	54 1/2"	54 3/4"	55"	55 1/4"	55 1/2"	55 3/4"	56"	56 1/4"	56 1/2"	56 3/4"	57"	57 1/4"	57 1/2"	57 3/4"	58"	58 1/4"	58 1/2"	58 3/4"	59"	59 1/4"	59 1/2"	59 3/4"	60"	60 1/4"	60 1/2"	60 3/4"	61"	61 1/4"	61 1/2"	61 3/4"	62"	62 1/4"	62 1/2"	62 3/4"	63"	63 1/4"	63 1/2"	63 3/4"	64"	64 1/4"	64 1/2"	64 3/4"	65"	65 1/4"	65 1/2"	65 3/4"	66"	66 1/4"	66 1/2"	66 3/4"	67"	67 1/4"	67 1/2"	67 3/4"	68"	68 1/4"	68 1/2"	68 3/4"	69"	69 1/4"	69 1/2"	69 3/4"	70"	70 1/4"	70 1/2"	70 3/4"	71"	71 1/4"	71 1/2"	71 3/4"	72"	72 1/4"	72 1/2"	72 3/4"	73"	73 1/4"	73 1/2"	73 3/4"	74"	74 1/4"	74 1/2"	74 3/4"	75"	75 1/4"	75 1/2"	75 3/4"	76"	76 1/4"	76 1/2"	76 3/4"	77"	77 1/4"	77 1/2"	77 3/4"	78"	78 1/4"	78 1/2"	78 3/4"	79"	79 1/4"	79 1/2"	79 3/4"	80"	80 1/4"	80 1/2"	80 3/4"	81"	81 1/4"	81 1/2"	81 3/4"	82"	82 1/4"	82 1/2"	82 3/4"	83"	83 1/4"	83 1/2"	83 3/4"	84"	84 1/4"	84 1/2"	84 3/4"	85"	85 1/4"	85 1/2"	85 3/4"	86"	86 1/4"	86 1/2"	86 3/4"	87"	87 1/4"	87 1/2"	87 3/4"	88"	88 1/4"	88 1/2"	88 3/4"	89"	89 1/4"	89 1/2"	89 3/4"	90"	90 1/4"	90 1/2"	90 3/4"	91"	91 1/4"	91 1/2"	91 3/4"	92"	92 1/4"	92 1/2"	92 3/4"	93"	93 1/4"	93 1/2"	93 3/4"	94"	94 1/4"	94 1/2"	94 3/4"	95"	95 1/4"	95 1/2"	95 3/4"	96"	96 1/4"	96 1/2"	96 3/4"	97"	97 1/4"	97 1/2"	97 3/4"	98"	98 1/4"	98 1/2"	98 3/4"	99"	99 1/4"	99 1/2"	99 3/4"	100"	100 1/4"	100 1/2"	100 3/4"	101"	101 1/4"	101 1/2"	101 3/4"	102"	102 1/4"	102 1/2"	102 3/4"	103"	103 1/4"	103 1/2"	103 3/4"	104"	104 1/4"	104 1/2"	104 3/4"	105"	105 1/4"	105 1/2"	105 3/4"	106"	106 1/4"	106 1/2"	106 3/4"	107"	107 1/4"	107 1/2"	107 3/4"	108"	108 1/4"	108 1/2"	108 3/4"	109"	109 1/4"	109 1/2"	109 3/4"	110"	110 1/4"	110 1/2"	110 3/4"	111"	111 1/4"	111 1/2"	111 3/4"	112"	112 1/4"	112 1/2"	112 3/4"	113"	113 1/4"	113 1/2"	113 3/4"	114"	114 1/4"	114 1/2"	114 3/4"	115"	115 1/4"	115 1/2"	115 3/4"	116"	116 1/4"	116 1/2"	116 3/4"	117"	117 1/4"	117 1/2"	117 3/4"	118"	118 1/4"	118 1/2"	118 3/4"	119"	119 1/4"	119 1/2"	119 3/4"	120"	120 1/4"	120 1/2"	120 3/4"	121"	121 1/4"	121 1/2"	121 3/4"	122"	122 1/4"	122 1/2"	122 3/4"	123"	123 1/4"	123 1/2"	123 3/4"	124"	124 1/4"	124 1/2"	124 3/4"	125"	125 1/4"	125 1/2"	125 3/4"	126"	126 1/4"	126 1/2"	126 3/4"	127"	127 1/4"	127 1/2"	127 3/4"	128"	128 1/4"	128 1/2"	128 3/4"	129"	129 1/4"	129 1/2"	129 3/4"	130"	130 1/4"	130 1/2"	130 3/4"	131"	131 1/4"	131 1/2"	131 3/4"	132"	132 1/4"	132 1/2"	132 3/4"	133"	133 1/4"	133 1/2"	133 3/4"	134"	134 1/4"	134 1/2"	134 3/4"	135"	135 1/4"	135 1/2"	135 3/4"	136"	136 1/4"	136 1/2"	136 3/4"	137"	137 1/4"	137 1/2"	137 3/4"	138"	138 1/4"	138 1/2"	138 3/4"	139"	139 1/4"	139 1/2"	139 3/4"	140"	140 1/4"	140 1/2"	140 3/4"	141"	141 1/4"	141 1/2"	141 3/4"	142"	142 1/4"	142 1/2"	142 3/4"	143"	143 1/4"	143 1/2"	143 3/4"	144"	144 1/4"	144 1/2"	144 3/4"	145"	145 1/4"	145 1/2"	145 3/4"	146"	146 1/4"	146 1/2"	146 3/4"	147"	147 1/4"	147 1/2"	147 3/4"	148"	148 1/4"	148 1/2"	148 3/4"	149"	149 1/4"	149 1/2"	149 3/4"	150"	150 1/4"	150 1/2"	150 3/4"	151"	151 1/4"	151 1/2"	151 3/4"	152"	152 1/4"	152 1/2"	152 3/4"	153"	153 1/4"	153 1/2"	153 3/4"	154"	154 1/4"	154 1/2"	154 3/4"	155"	155 1/4"	155 1/2"	155 3/4"	156"	156 1/4"	156 1/2"	156 3/4"	157"	157 1/4"	157 1/2"	157 3/4"	158"	158 1/4"	158 1/2"	158 3/4"	159"	159 1/4"	159 1/2"	159 3/4"	160"	160 1/4"	160 1/2"	160 3/4"	161"	161 1/4"	161 1/2"	161 3/4"	162"	162 1/4"	162 1/2"	162 3/4"	163"	163 1/4"	163 1/2"	163 3/4"	164"	164 1/4"	164 1/2"	164 3/4"	165"	165 1/4"	165 1/2"	165 3/4"	166"	166 1/4"	166 1/2"	166 3/4"	167"	167 1/4"	167 1/2"	167 3/4"	168"	168 1/4"	168 1/2"	168 3/4"	169"	169 1/4"	169 1/2"	169 3/4"	170"	170 1/4"	170 1/2"	170 3/4"	171"	171 1/4"	171 1/2"	171 3/4"	172"	172 1/4"	172 1/2"	172 3/4"	173"	173 1/4"	173 1/2"	173 3/4"	174"	174 1/4"	174 1/2"	174 3/4"	175"	175 1/4"	175 1/2"	175 3/4"	176"	176 1/4"	176 1/2"	176 3/4"	177"	177 1/4"	177 1/2"	177 3/4"	178"	178 1/4"	178 1/2"	178 3/4"	179"	179 1/4"	179 1/2"	179 3/4"	180"	180 1/4"	180 1/2"	180 3/4"	181"	181 1/4"	181 1/2"	181 3/4"	182"	182 1/4"	182 1/2"	182 3/4"	183"	183 1/4"	183 1/2"	183 3/4"	184"	184 1/4"	184 1/2"	184 3/4"	185"	185 1/4"	185 1/2"	185 3/4"	186"	186 1/4"	186 1/2"	186 3/4"	187"	187 1/4"	187 1/2"	187 3/4"	188"	188 1/4"	188 1/2"	188 3/4"	189"	189 1/4"	189 1/2"	189 3/4"	190"	190 1/4"	190 1/2"	190 3/4"	191"	191 1/4"	191 1/2"	191 3/4"	192"	192 1/4"	192 1/2"	192 3/4"	193"	193 1/4"	193 1/2"	193 3/4"	194"	194 1/4"	194 1/2"	194 3/4"	195"	195 1/4"	195 1/2"	195 3/4"	196"	196 1/4"	196 1/2"	196 3/4"	197"	197 1/4"	197 1/2"	197 3/4"	198"	198 1/4"	198 1/2"	198 3/4"	199"	199 1/4"	199 1/2"	199 3/4"	200"	200 1/4"	200 1/2"	200 3

DECALS

ITEM	PART NO.	QTY.	DESCRIPTION
	6500019		DECAL KIT
1	6500020	2	HAYBUSTER 3"
2	6500058	2	107 3"
3	6500060	2	IMPORTANT Avoid Making Sharp Turns
4	6500016	1	Calibration Scale Grain
5	6500017	1	Calibration Scale Fertilizer
6	6500081	1	Calibration Scale Grass
7	6500022	1	Calibration Decal 7" Spacing
8	6500027	1	Calibration Decal 10" Spacing
9	6500061	1	Seed Depth, Soil Penetration Ext.
10	6500062	1	IMPORTANT STORAGE
11	6500063	1	IMPORTANT Feed Wheel Shaft
12	6500101	1	WARNING No Riders
13	6500042	2	Keep Wheel Bolts Tight
14	6500064	1	Engage Locks
15	6500041	1	WARNING For Your Protection
16	6500040	1	WARNING Keep All Shields In Place
17	6500182	1	Ag Chemical Warning
18	6500163	1	WARNING Disc Blades
20	6500102	14	Red Stripe Decal\logo\stripe\red

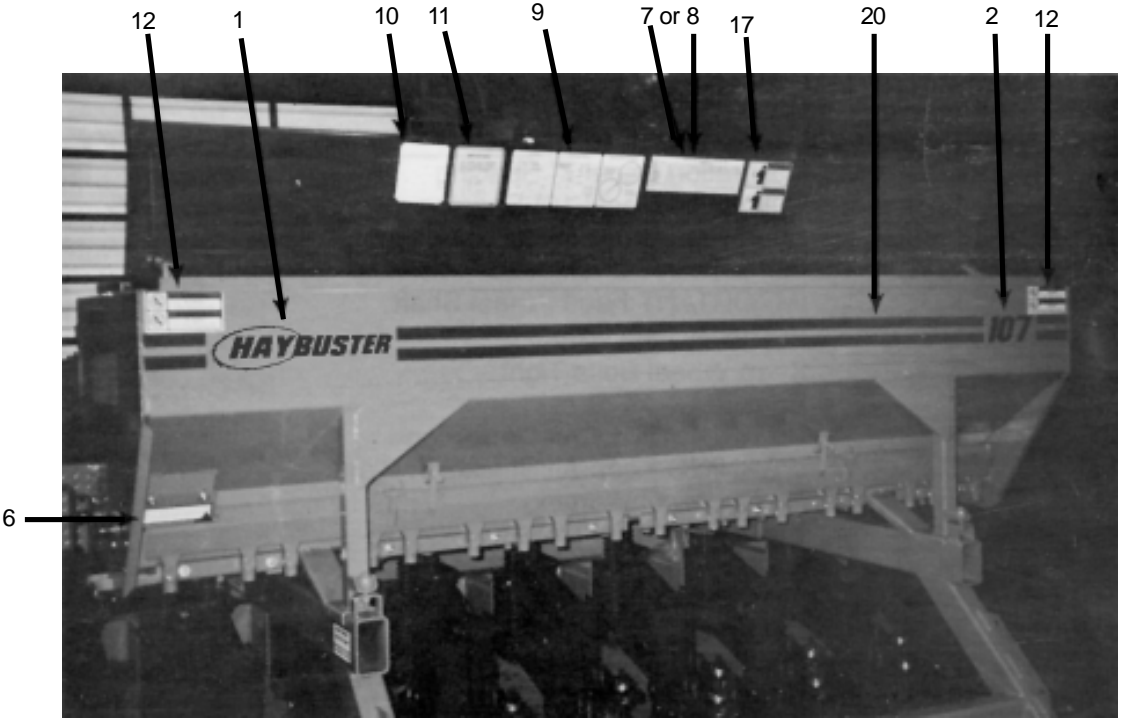
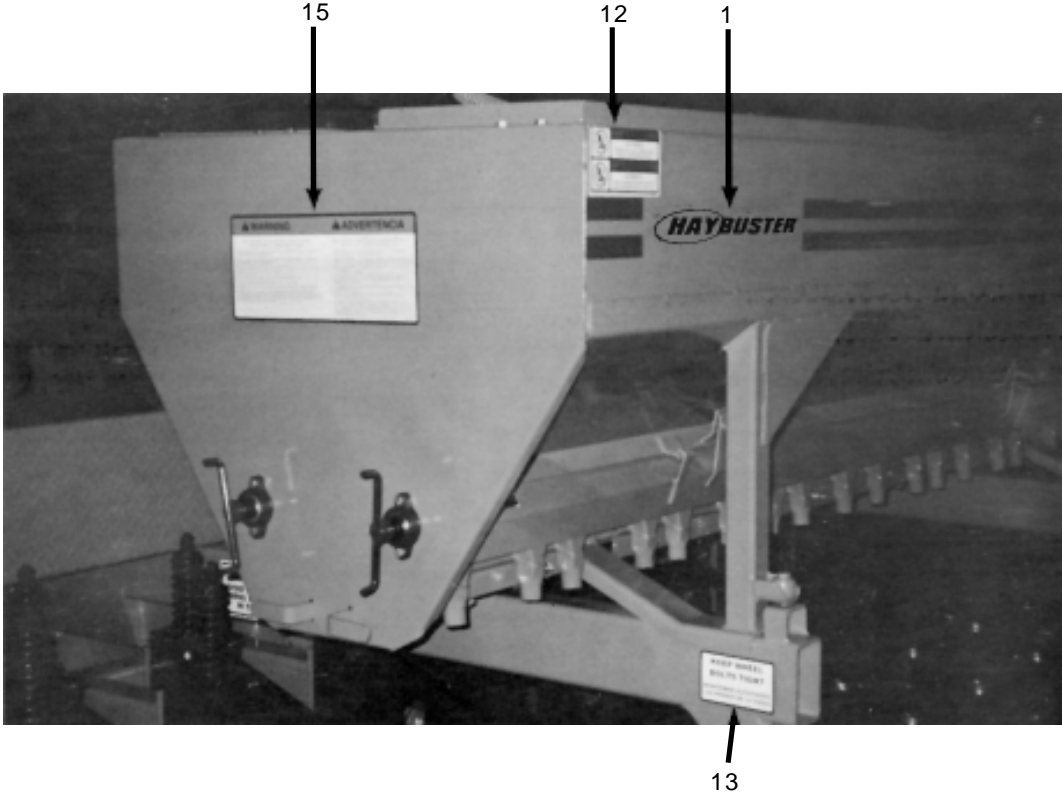
LEGUME BOX DECAL

ITEM	PART NO.	QTY.	DESCRIPTION
	6500311		DECAL KIT (LEGUME BOX)
1	6500304	1	HAYBUSTER 1-3/4"
2	6500305	1	107 Decal 1-3/4
19	6500083	1	Chart 7" Spacing
20	6500102		6 1/2 Ft. Red Strips
	7500077		12 Oz Yellow Spray Paint
	7500092		Quart Yellow Paint
	7500091		Gallon Yellow Paint
	7500078		12 Oz Red Spray Paint
	7500105		Quart Red Paint
	7500104		Gallon Red Paint

19

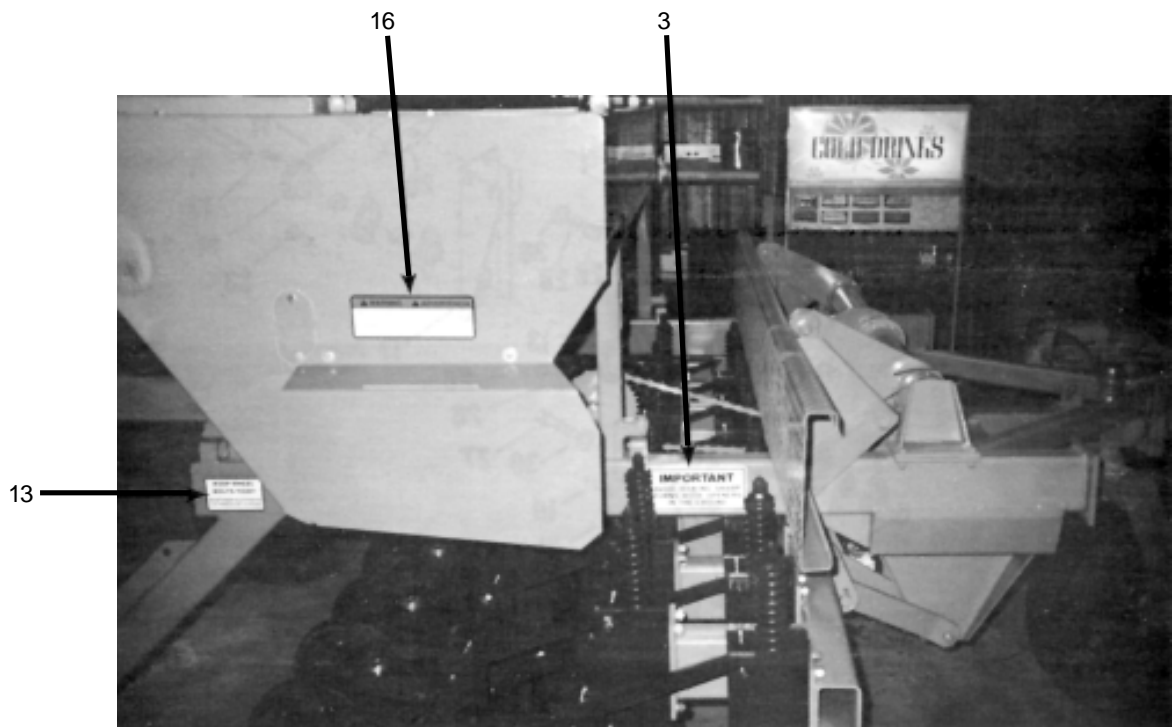
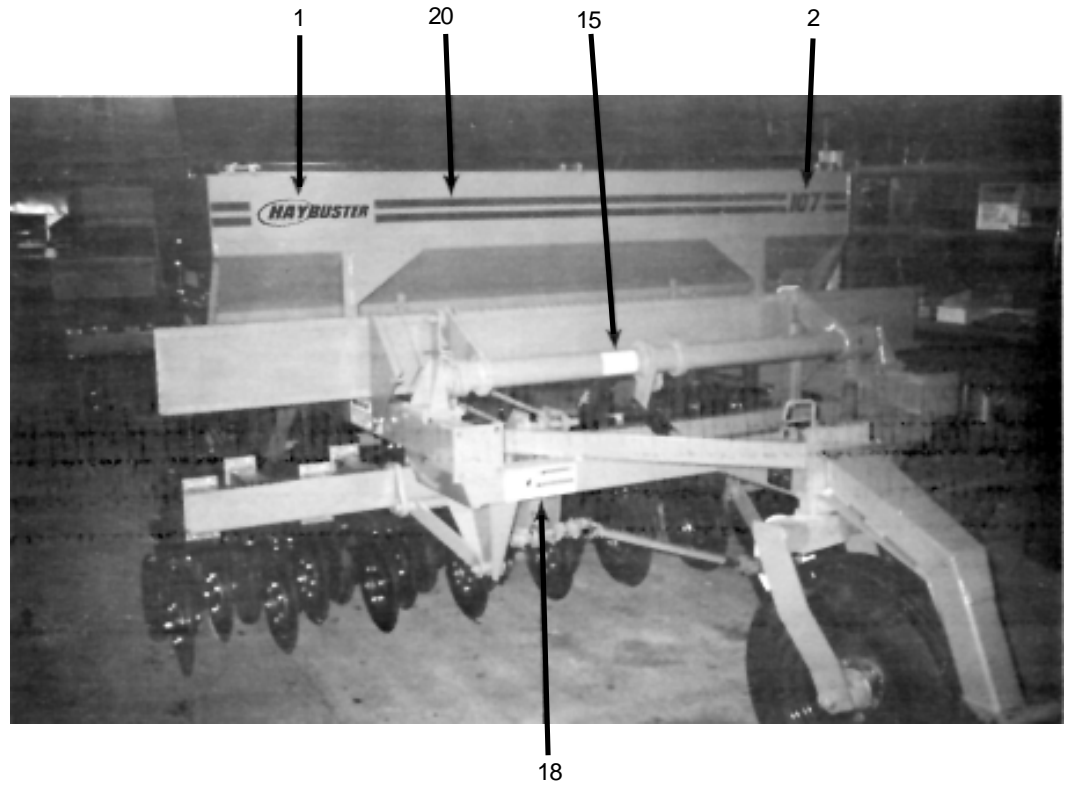
HAYBUSTER CHART FOR DRILLING LEGUMES AND SMALL GRASSES IN POUNDS PER ACRE																	SEED MIXTURES																																																																																																																																
LEGUME BOX ATTACHMENT FOR 10 TO 100 DRELL LOW RICH GRASSES																	SEED MIXTURES																																																																																																																																
NOTCHES ON INDEX																	SEED MIXTURES																																																																																																																																
INDEX	1	2	3	4	5	6	7	8	9	10	11	12	13	14	15	16	17	18	19	20	21	22	23	24	25	26	27	28	29	30	31	32	33	34	35	36	37	38	39	40	41	42	43	44	45	46	47	48	49	50																																																																																															
ALFALFA, HOG MANURE, LAMINO-CLOVER, VETCH	50	22	47	77	102	124	142	158	174	188	202	212	220	228	234	238	242	246	248	250	252	254	256	258	260	262	264	266	268	270	272	274	276	278	280	282	284	286	288	290	292	294	296	298	300	302	304	306	308	310	312	314	316	318	320	322	324	326	328	330	332	334	336	338	340	342	344	346	348	350	352	354	356	358	360	362	364	366	368	370	372	374	376	378	380	382	384	386	388	390	392	394	396	398	400	402	404	406	408	410	412	414	416	418	420	422	424	426	428	430	432	434	436	438	440	442	444	446	448	450	452	454	456	458	460	462	464	466	468	470	472	474	476	478	480	482	484	486	488	490	492	494	496	498	500
SWEET CLOVER	14	23	51	84	112	138	162	182	200	216	230	242	252	260	266	270	274	278	280	282	284	286	288	290	292	294	296	298	300	302	304	306	308	310	312	314	316	318	320	322	324	326	328	330	332	334	336	338	340	342	344	346	348	350	352	354	356	358	360	362	364	366	368	370	372	374	376	378	380	382	384	386	388	390	392	394	396	398	400	402	404	406	408	410	412	414	416	418	420	422	424	426	428	430	432	434	436	438	440	442	444	446	448	450	452	454	456	458	460	462	464	466	468	470	472	474	476	478	480	482	484	486	488	490	492	494	496	498	500																
BIRDSEED MIXTURE	14	23	51	84	112	138	162	182	200	216	230	242	252	260	266	270	274	278	280	282	284	286	288	290	292	294	296	298	300	302	304	306	308	310	312	314	316	318	320	322	324	326	328	330	332	334	336	338	340	342	344	346	348	350	352	354	356	358	360	362	364	366	368	370	372	374	376	378	380	382	384	386	388	390	392	394	396	398	400	402	404	406	408	410	412	414	416	418	420	422	424	426	428	430	432	434	436	438	440	442	444	446	448	450	452	454	456	458	460	462	464	466	468	470	472	474	476	478	480	482	484	486	488	490	492	494	496	498	500																
WHEAT	14	23	51	84	112	138	162	182	200	216	230	242	252	260	266	270	274	278	280	282	284	286	288	290	292	294	296	298	300	302	304	306	308	310	312	314	316	318	320	322	324	326	328	330	332	334	336	338	340	342	344	346	348	350	352	354	356	358	360	362	364	366	368	370	372	374	376	378	380	382	384	386	388	390	392	394	396	398	400	402	404	406	408	410	412	414	416	418	420	422	424	426	428	430	432	434	436	438	440	442	444	446	448	450	452	454	456	458	460	462	464	466	468	470	472	474	476	478	480	482	484	486	488	490	492	494	496	498	500																
BARLEY	14	23	51	84	112	138	162	182	200	216	230	242	252	260	266	270	274	278	280	282	284	286	288	290	292	294	296	298	300	302	304	306	308	310	312	314	316	318	320	322	324	326	328	330	332	334	336	338	340	342	344	346	348	350	352	354	356	358	360	362	364	366	368	370	372	374	376	378	380	382	384	386	388	390	392	394	396	398	400	402	404	406	408	410	412	414	416	418	420	422	424	426	428	430	432	434	436	438	440	442	444	446	448	450	452	454	456	458	460	462	464	466	468	470	472	474	476	478	480	482	484	486	488	490	492	494	496	498	500																
ORCHARD GRASS	14	23	51	84	112	138	162	182	200	216	230	242	252	260	266	270	274	278	280	282	284	286	288	290	292	294	296	298	300	302	304	306	308	310	312	314	316	318	320	322	324	326	328	330	332	334	336	338	340	342	344	346	348	350	352	354	356	358	360	362	364	366	368	370	372	374	376	378	380	382	384	386	388	390	392	394	396	398	400	402	404	406	408	410	412	414	416	418	420	422	424	426	428	430	432	434	436	438	440	442	444	446	448	450	452	454	456	458	460	462	464	466	468	470	472	474	476	478	480	482	484	486	488	490	492	494	496	498	500																
BERMUDA GRASS	14	23	51	84	112	138	162	182	200	216	230	242	252	260	266	270	274	278	280	282	284	286	288	290	292	294	296	298	300	302	304	306	308	310	312	314	316	318	320	322	324	326	328	330	332	334	336	338	340	342	344	346	348	350	352	354	356	358	360	362	364	366	368	370	372	374	376	378	380	382	384	386	388	390	392	394	396	398	400	402	404	406	408	410	412	414	416	418	420	422	424	426	428	430	432	434	436	438	440	442	444	446	448	450	452	454	456	458	460	462	464	466	468	470	472	474	476	478	480	482	484	486	488	490	492	494	496	498	500																
COUSCOURS	14	23	51	84	112	138	162	182	200	216	230	242	252	260	266	270	274	278	280	282	284	286	288	290	292	294	296	298	300	302	304	306	308	310	312	314	316	318	320	322	324	326	328	330	332	334	336	338	340	342	344	346	348	350	352	354	356	358	360	362	364	366	368	370	372	374	376	378	380	382	384	386	388	390	392	394	396	398	400	402	404	406	408	410	412	414	416	418	420	422	424	426	428	430	432	434	436	438	440	442	444	446	448	450	452	454	456	458	460	462	464	466	468	470	472	474	476	478	480	482	484	486	488	490	492	494	496	498	500																
LOWGRASS	14	23	51	84	112	138	162	182	200	216	230	242	252	260	266	270	274	278	280	282	284	286	288	290	292	294	296	298	300	302	304	306	308	310	312	314	316	318	320	322	324	326	328	330	332	334	336	338	340	342	344	346	348	350	352	354	35																																																																																								

DECALS



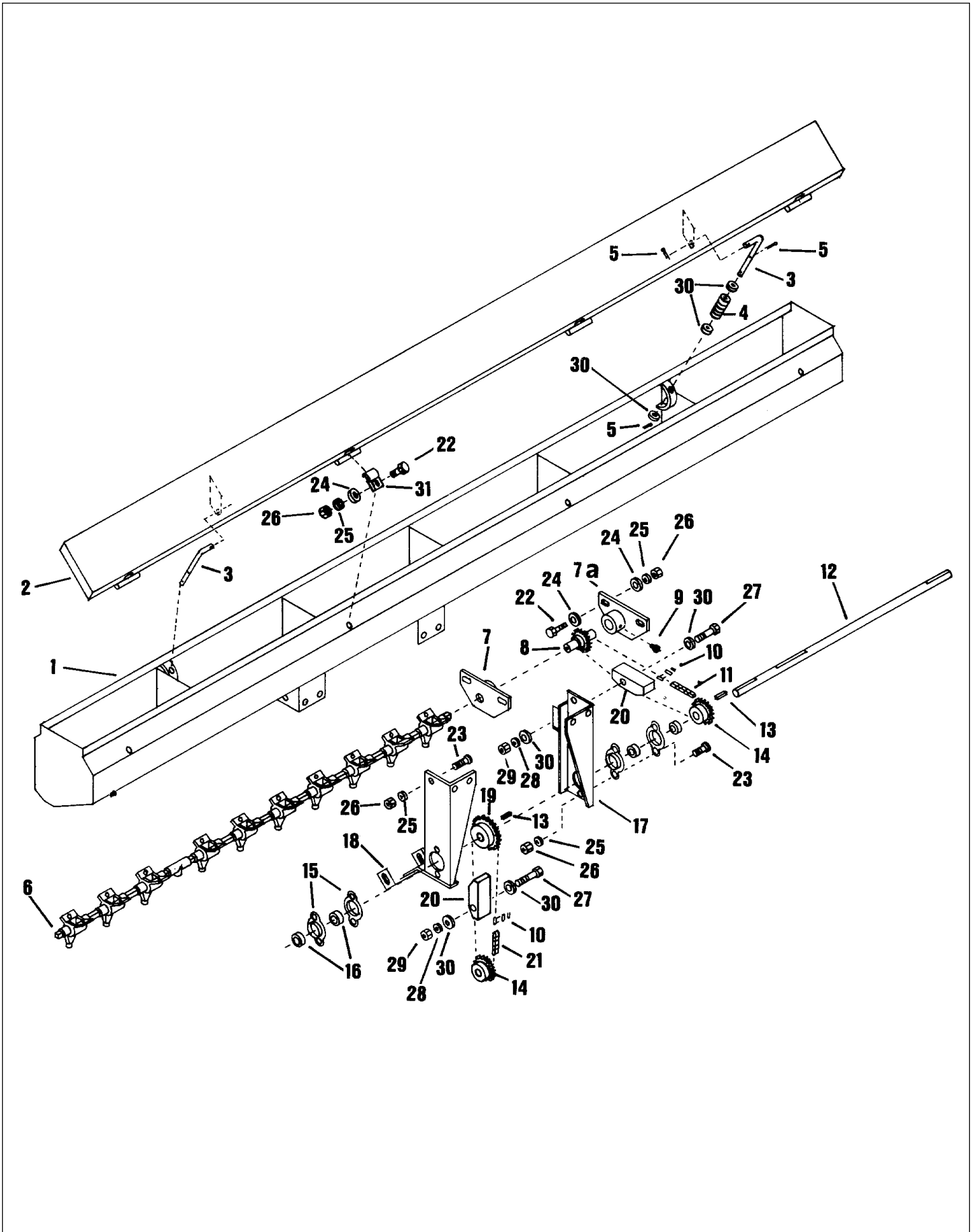
DECAL LOCATION (See page 113 for descriptions)

DECALS



DECAL LOCATION (See page 113 for descriptions)

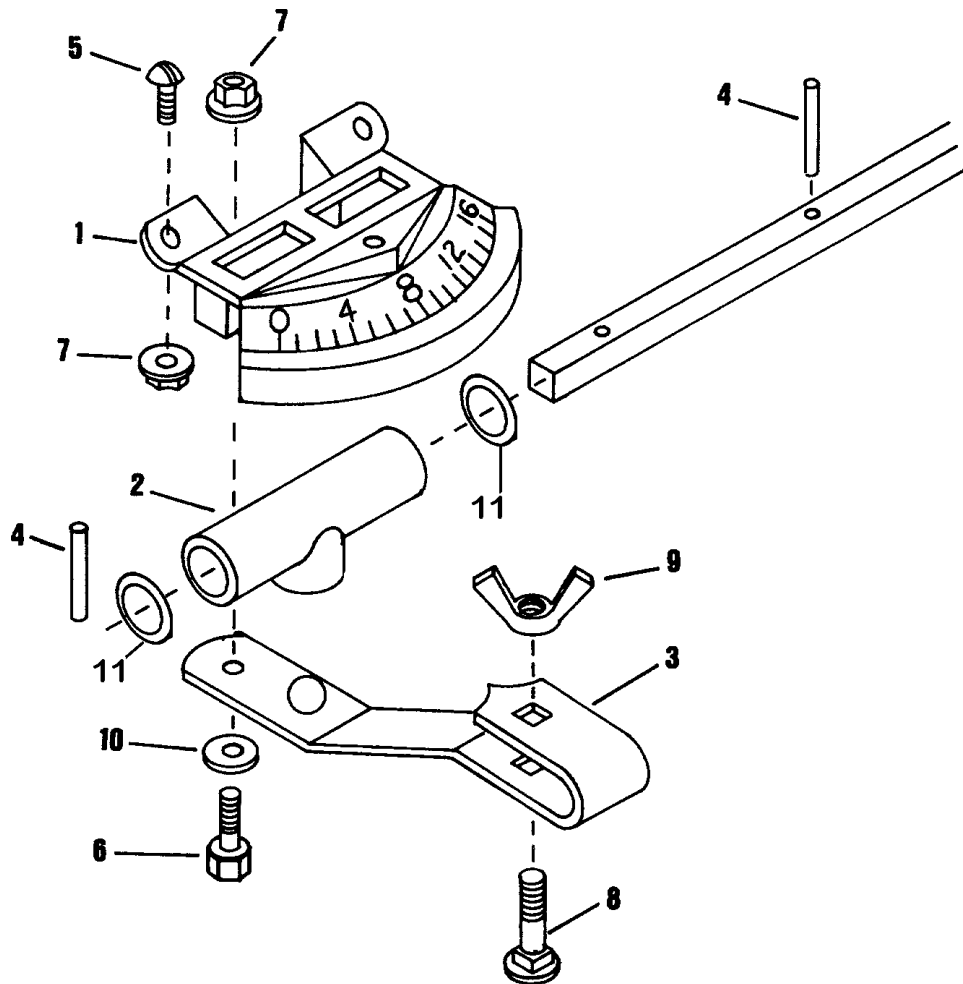
LEGUME BOX



LEGUME BOX

ITEM	PART NO.	QTY.	DESCRIPTION
1	8700004	1	Legume Box Weldment
2	8700005	1	Box Cover
3	8700006	2	Box Cover Spring Rod
4	6100046	2	Spring
5	4800127	6	Cotter Pin 1/8" x 1"
6	8700007	2	Shaft 3/8" Sq. x 50-3/4"
7	8700008	1	Bearing Right Hand
7A	8700009	1	Bearing Left Hand
8	8700010	1	Sprocket 17 Tooth
9	3800082	2	Zerk 1/4" Tapper
10	1100224	2	40NP Pitch Connector Link
11	1100232	1	53 Links 40NP Pitch Chain
12	8700011	1	Shaft 1" x 29"
13	6200010	4	1/4" x 1" Key
14	1000112	2	4015 Sprocket 1" Bore 1/4 KW
15	2000703	4	2 Hole Flangette
16	2000002	2	1" Bearing with Lock Collar
17	8700012	1	Bracket Left Hand
18	8700013	1	Bracket Right Hand
19	1000111	1	4017 Sprocket 1" Bore 1/4 KW
20	2000016	2	Wood Block Idler
21	1100233	1	77 Links 40NP Pitch Chain
22	4800013	8	5/16" x 1" Hex Head Bolt
23	4800153	10	5/16" x 3/4" Carriage Bolt
24	5000023	12	5/16" Flat Washer
25	5000022	18	5/16" Lock Washer
26	4900003	18	5/16" Hex Nut
27	4800029	2	3/8" x 2-1/2" Hex Head Bolt
28	5000019	2	3/8" Lock Washer
29	4900002	2	3/8" Hex Nut
30	5000001	10	3/8" Flat Washer
31	8700014	4	Hinge
32	8700015	2	Seed Cup Long Gang (Not Shown)
33	8700016	2	Seed Cup Short Gang (Not Shown)

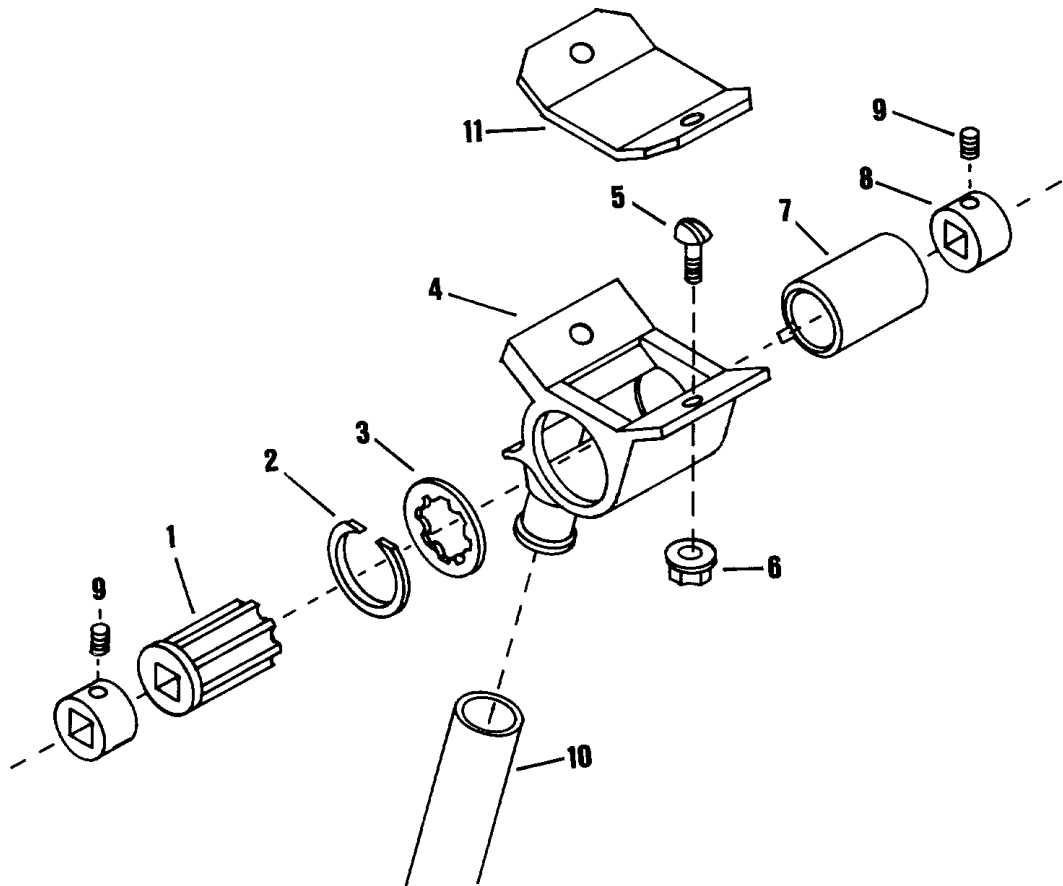
SEED INDEX ASSEMBLY LEGUME BOX



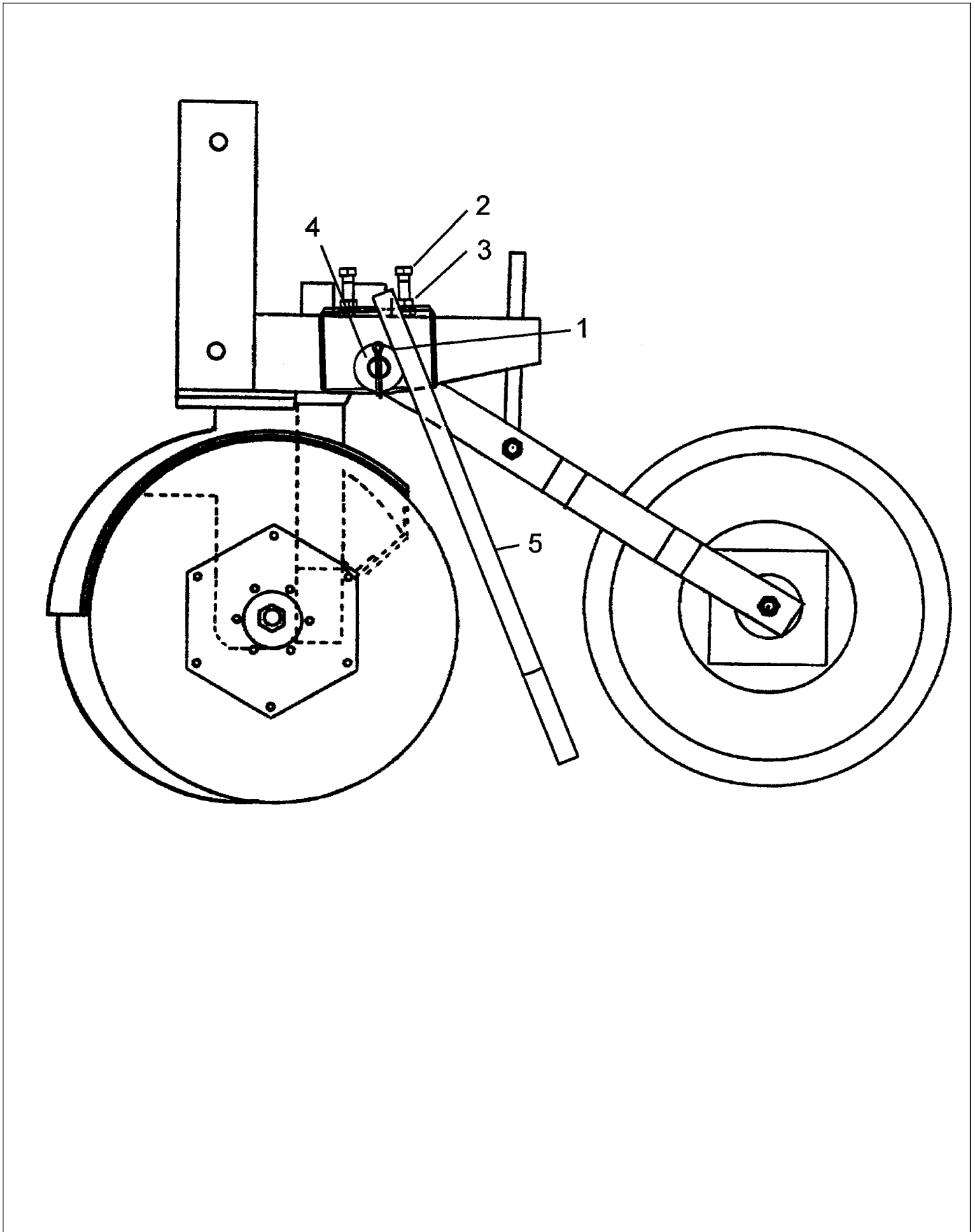
ITEM	PART NO.	QTY.	DESCRIPTION
1	7500183	1	Seed Index Meter
2	7500184	1	Shifter Spool
3	7500185	1	Shifter Arm
4	4800212	2	Roller Pin 5/32" x 3/4"
5	4800213	3	Cap Screw 1/4" x 5/8" Pan Head Machine Screw
6	4800024	1	1/4" x 3/4" Bolt
7	4900040	4	1/4" Flange Nut
8	4800214	1	Carriage Bolt 1/4" x 1"
9	4900041	1	1/4" Wing Nut
10	5000035	1	1/4" Flat Washer
11	5000118	2	WASH\FLAT\SPCL\14MM.5MM20MMOD

CUP ASSEMBLY LEGUME BOX

ITEM	PART NO.	QTY.	DESCRIPTION
1	7500177	1	Feed Roller
2	7500178	1	Snap Ring
3	7500179	1	Feed Roller Washer
4	7500180	1	Feed Cup w/Washer & Ring
5	4800154	2	1/4" X 1/2" Flat Head Slotted Screw
6	4900040	2	1/4" Flange Nut
7	7500181	1	Gate
8	7500182	2	Collar
9	4800211	2	Set Screw 1/4" x 5/16"
10	3700129	1	5/8" I.D. Hose x 22"
11	8700039	1	Plug for 10" Spacing



LEGUME DROP TUBE ASSEMBLY



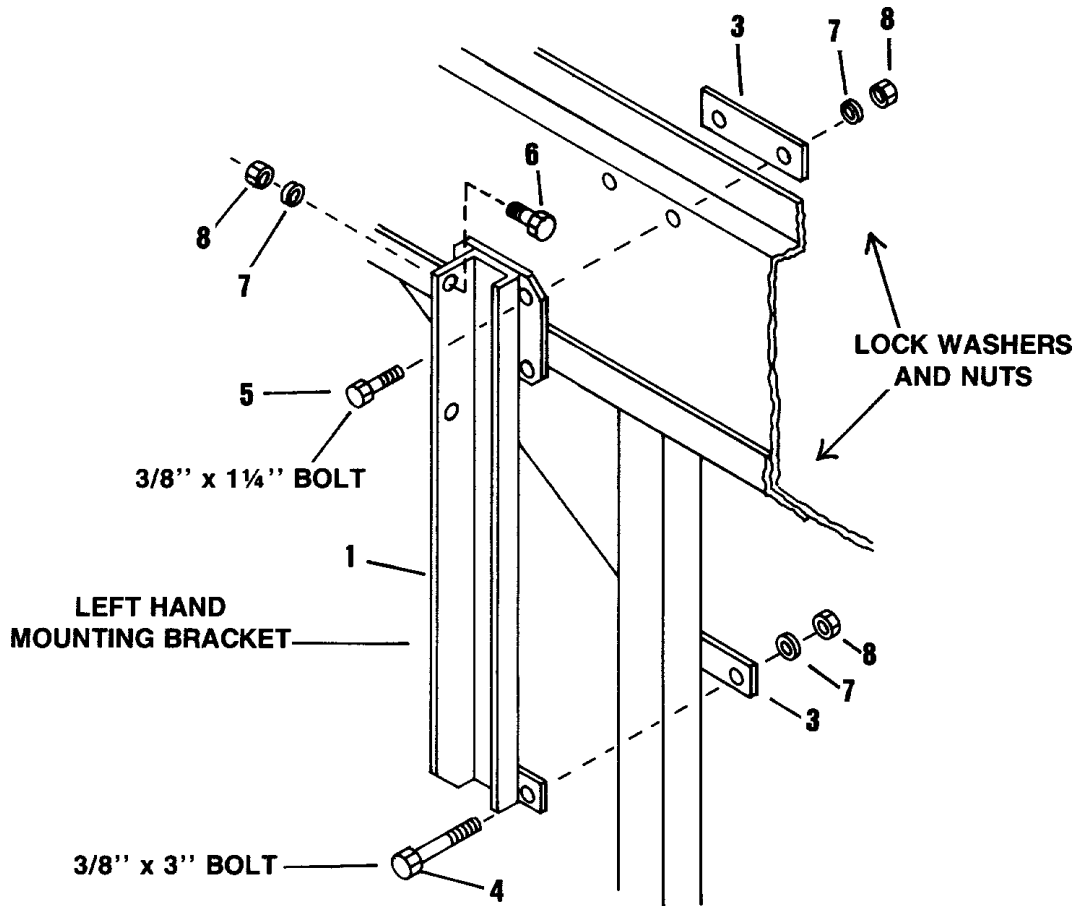
LEGUME DROP TUBE ASSEMBLY

ITEM	PART NO.	QTY.	DESCRIPTION
	8400631		TUBE\DROP\LEGUME\KIT\1BEND\107\PER ROW
1	4800050		PIN\COT\3/16 X 1-1/2
1A	4800218	1	BOLT\HEX\5/8X5-1/2
1B	4900107	1	NUT\NYLCK\5/8\NC
2	4800098	2	BOLT\HEX3/8 X 1-1/4\NC
3	4900026	2	NUT\JAM\3/8\NC
4	5000002	1	WASH\FLAT\5/8
5	8400630	1	BRKT\TUBE\DROP\LEGUME\1BEND\107

NOT SHOWN

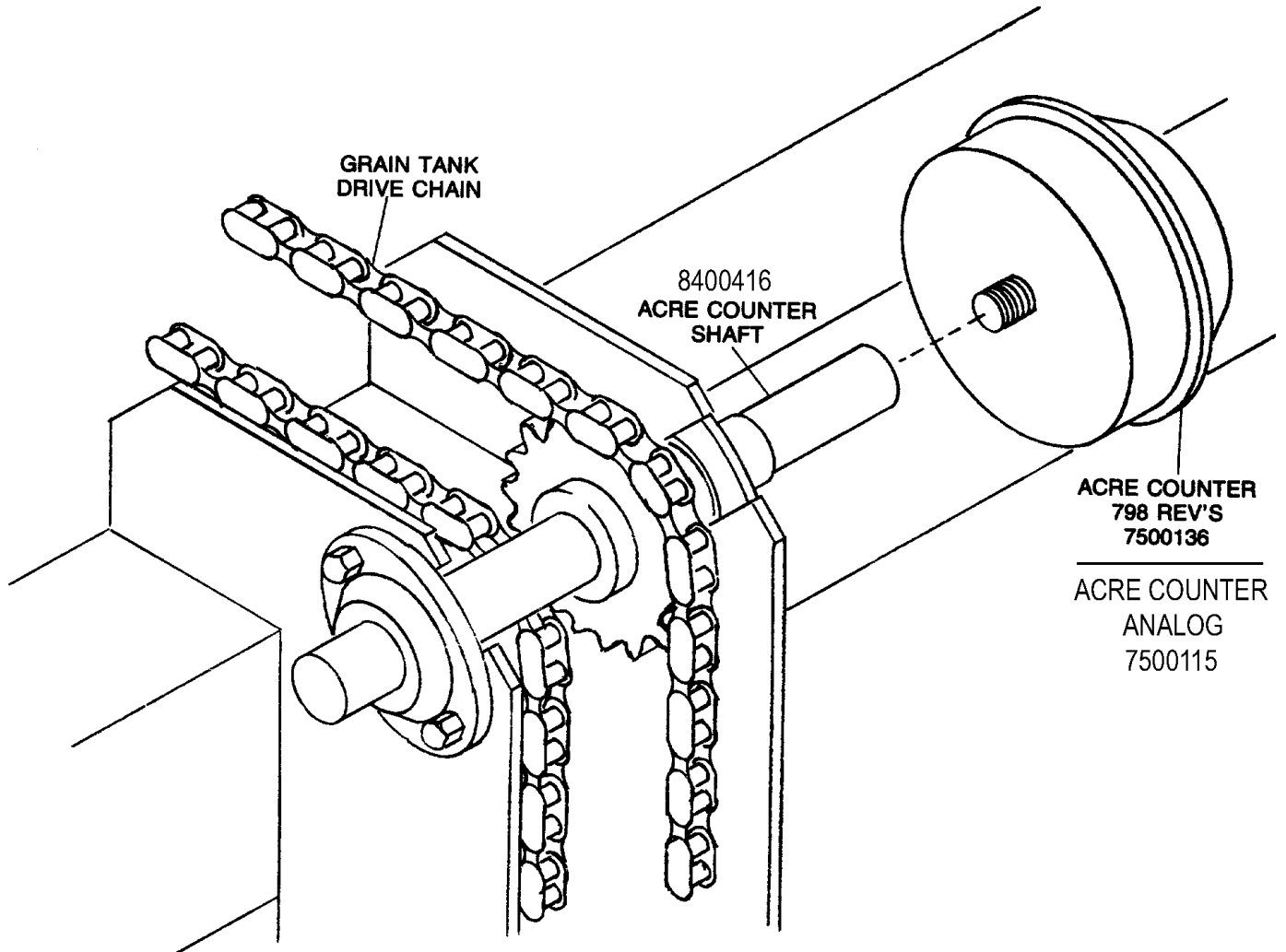
3700127	2 ft.	HOSE\PVC\5/8ID\CLEAR\BULK
---------	-------	---------------------------

MOUNTING BRACKET



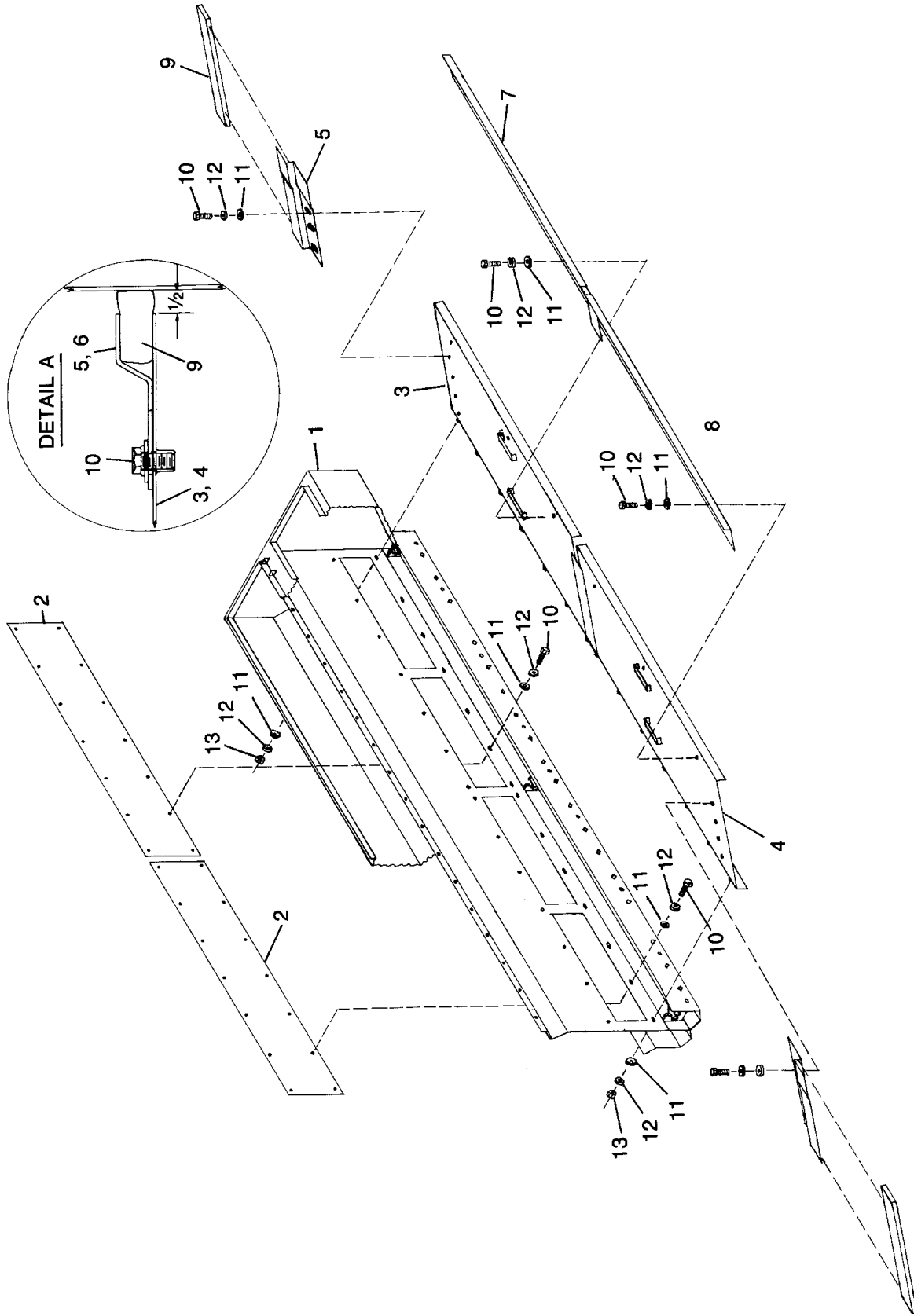
ITEM	PART NO.	QTY.	DESCRIPTION
1	8700001	1	Mounting Bracket Left Hand
2	8700002	1	Mounting Bracket Right Hand (Not Shown)
3	8700003	4	Strap
4	4800156	4	3/8" x 3" Hex Head Bolt
5	4800098	4	3/8" x 1-1/4" Hex Head Bolt
6	4800003	4	3/8" x 1" Hex Head Bolt
7	5000019	12	3/8" Lock Washer
8	4900002	12	3/8" Hex Nut

ACRE COUNTER



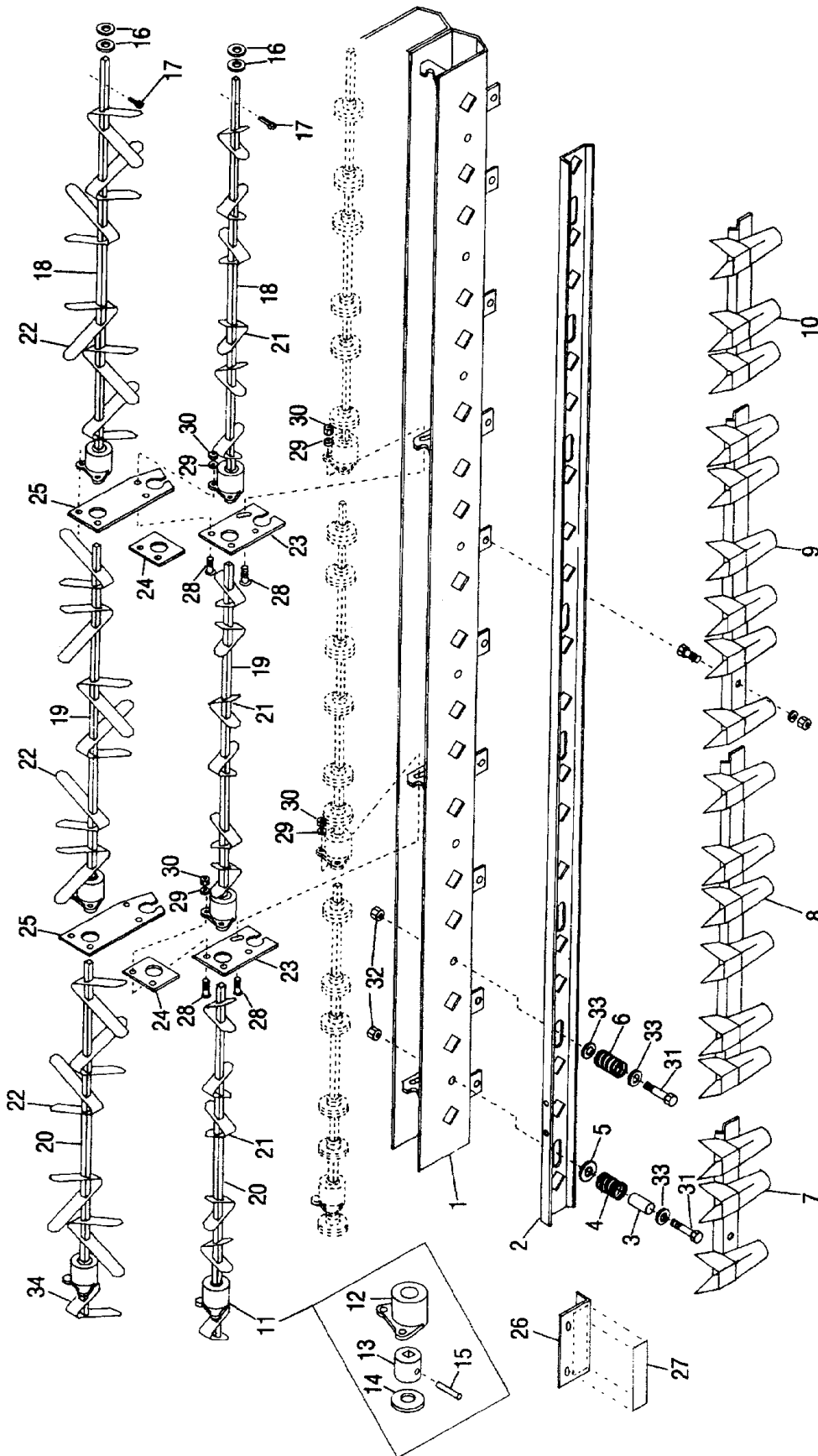
Installation:

1. Turn acre counter into threaded hole in end of acre counter shaft (see Illustration).



ITEM	PART NO.	QTY.	DESCRIPTION
1	8400244	1	Tank Weldment - 107
2	8400318	2	Divider Cover - 107
3	8400319	1	False Bottom RH - 107
4	8400320	1	False Bottom LH - 107
5	8400321	1	Side Seal Retainer RH - 107
6	8400322	1	Side Seal Retainer LH - 107
7	8400323	1	Upper Seal RH - 107
8	8400324	1	Upper Seal LH - 107
9	7500308	2	Rubber Seal
10	4800164	12	3/8" x 3/4" Hex Bolt
11	5000001	26	3/8" Flat Washer
12	5000019	26	3/8" Lock Washer
13	4900002	14	3/8" Hex Nut
	8400385		BOTTOM\FALSE\COMPLETE107

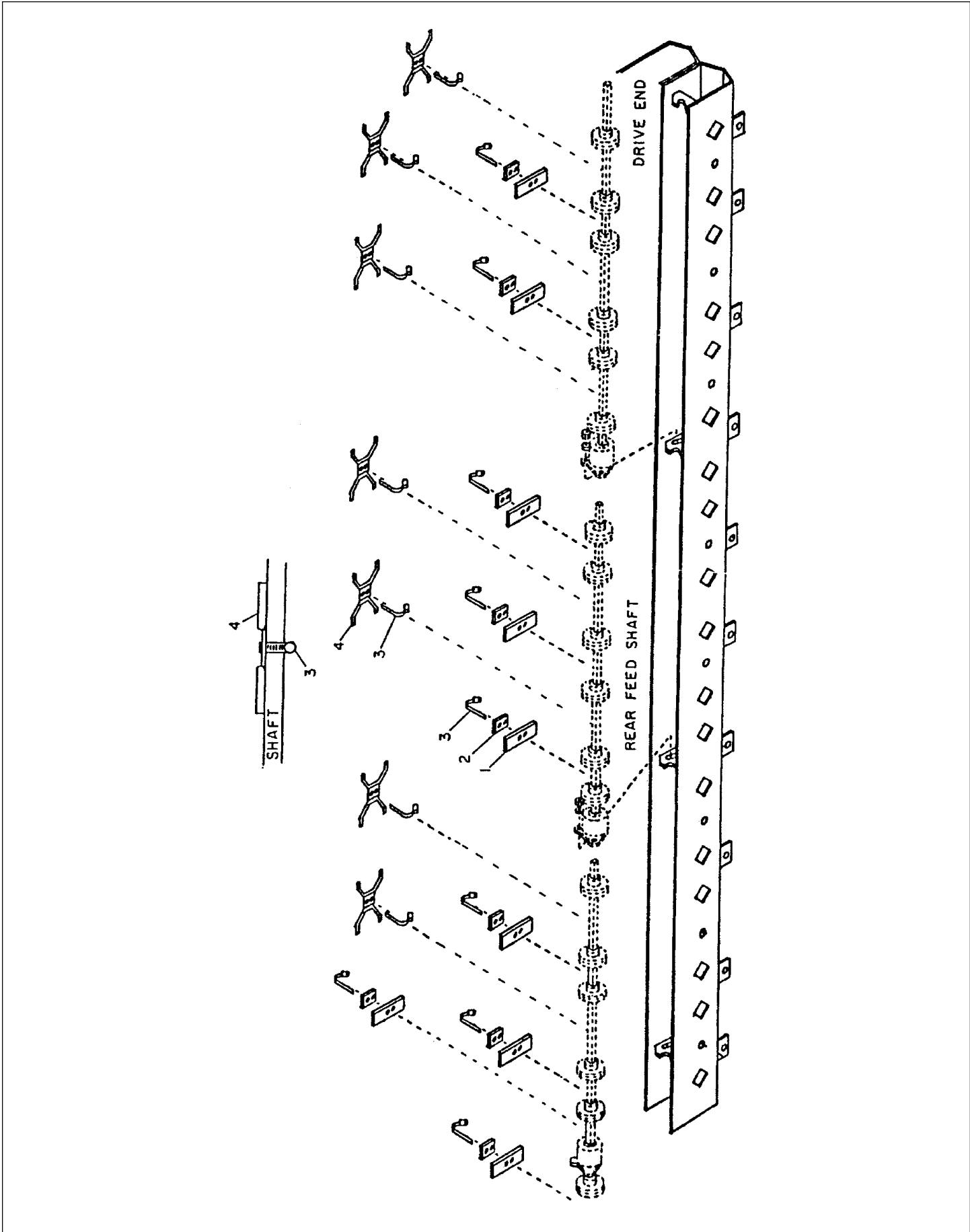
NATIVE GRASS KIT - ADDITIONAL AGITATOR SHAFTS



NATIVE GRASS KIT - ADDITIONAL AGITATOR SHAFTS

ITEM	PART	QUANTITY SINGLE AGITATOR	QUANTITY DUAL AGITATOR	DESCRIPTION
1	NOT IN KIT			GRAIN TANK
2	8400245	1	1	CONTROL PLATE 7" SPACING
2	8400247	1	1	CONTROL PLATE 8" SPACING
3	8400007	3	3	CONTROL PLATE GUIDE
4	6100031	3	3	SPRING\COMP\.072W\25/32OD\2-1/8
5	5000002	3	3	WASH\FLAT\5/8
6	6100002	5	5	SPRING\COMP\.072W\11/16OD\2-1/8
7	8400248	1	1	SEED CUP LEFT END SEC 7"
7	8400252	1	1	SEED CUP LEFT END SEC 10"
8	8400249	1	1	SEED CUP LEFT CEN SEC 7"
8	8400253	1	1	SEED CUP LEFT CEN SEC 10"
9	8400250	1	1	SEED CUP RIGHT CEN SEC 7"
9	8400254	1	1	SEED CUP RIGHT CEN SEC 10"
10	8400251	1	1	SEED CUP RIGHT END SEC 7"
10	8400255	1	1	SEED CUP RIGHT END SEC 10"
11	7500110	3	6	BRKT\CAST\W\BEARING/COMPLETE
12	7500108	3	6	CAST BRACKET HOUSING
13	7500109	3	6	1.445 5/8SQ HOLE SLEEVE
14	5000036	3	6	WASH\1-3/4ODX.89ID\1-1/4
15	4800169	1	2	PIN\RLLD\1/4X1-1/8
16	5000027	2	4	WASH\7/81DX1-1/2OD\20GA SHIM
17	4800044	1	2	PIN\COT\5/32X1-1/2
18	8400426	1	2	38-7/16 FEED SHAFT 100 SERIES
19	8400423	1	2	33-1/16 FEED SHAFT 100 SERIES
20	8400425	1	2	34-1/2 FEED SHAFT 100 SERIES
21	8400256	18	18	SMALL AGITATOR PADDLE 7" SPACING
21	8400256	12	12	SMALL AGITATOR PADDLE 10" SPACING
22	8400257		17	LARGE AGITATOR PADDLE 7" SPACING
22	8400257		11	LARGE AGITATOR PADDLE 10" SPACING
23	8400259	3	3	LOWER BEARING BRACKET
24	8400260	3		BEARING SPACER PLATE
25	8400261		3	UPPER BEARING BRACKET
26	8400262	1	1	SCALE PLATE
27	6500081	1	1	DECAL\INFO\CAL.SCALE\GRASS\107BOX
28	4800012	12	18	BOLT\CRG\3/8X1-1/4NC
29	5000001	12	18	WASH\FLAT\3/8
30	4900076	12	18	NUT\FLANGE\SERR\3/8\NC
31	4800082	8	8	BOLT\HEX\1/2X1-1/2
32	4900014	8	8	NUT\TPLCK\1/2\NC
33	5000016	13	13	WASH\FLAT\7/16
34	8400258		1	LARGE AGITATOR PADDLE, W/1 SHORT LEG
	8400580			ATTACH\NTV-GRASS\KIT\107\7"\DEALER_INSTALLED
	8400636			ATTACH\NTV-GRASS\ASSY\107\7"\FACTORY_INSTALLED

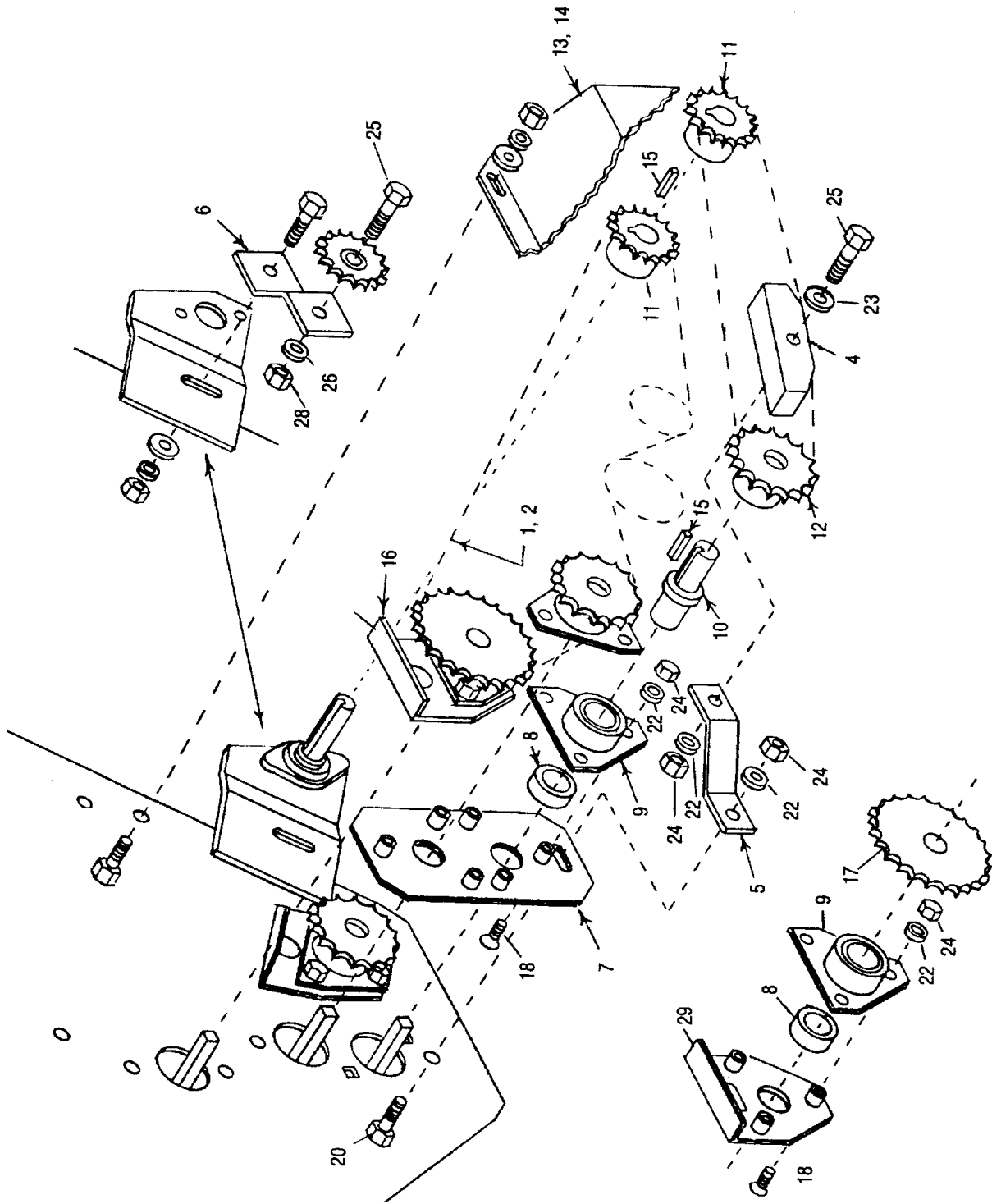
NATIVE GRASS KIT - TANK, EXISTING SHAFT MODIFICATIONS



NATIVE GRASS KIT - TANK, EXISTING SHAFT MODIFICATIONS

ITEM	PART NO.	QTY.	DESCRIPTION
1	8400396	9	RUBBER PADDLE
2	8400397	9	PADDLE, REINFORCE P,LATE
3	7500107	16	CLAMP\HOSE\1-1/4\WORMSS
4	8400267	7	FEED WHEEL SHAFT AGITATOR

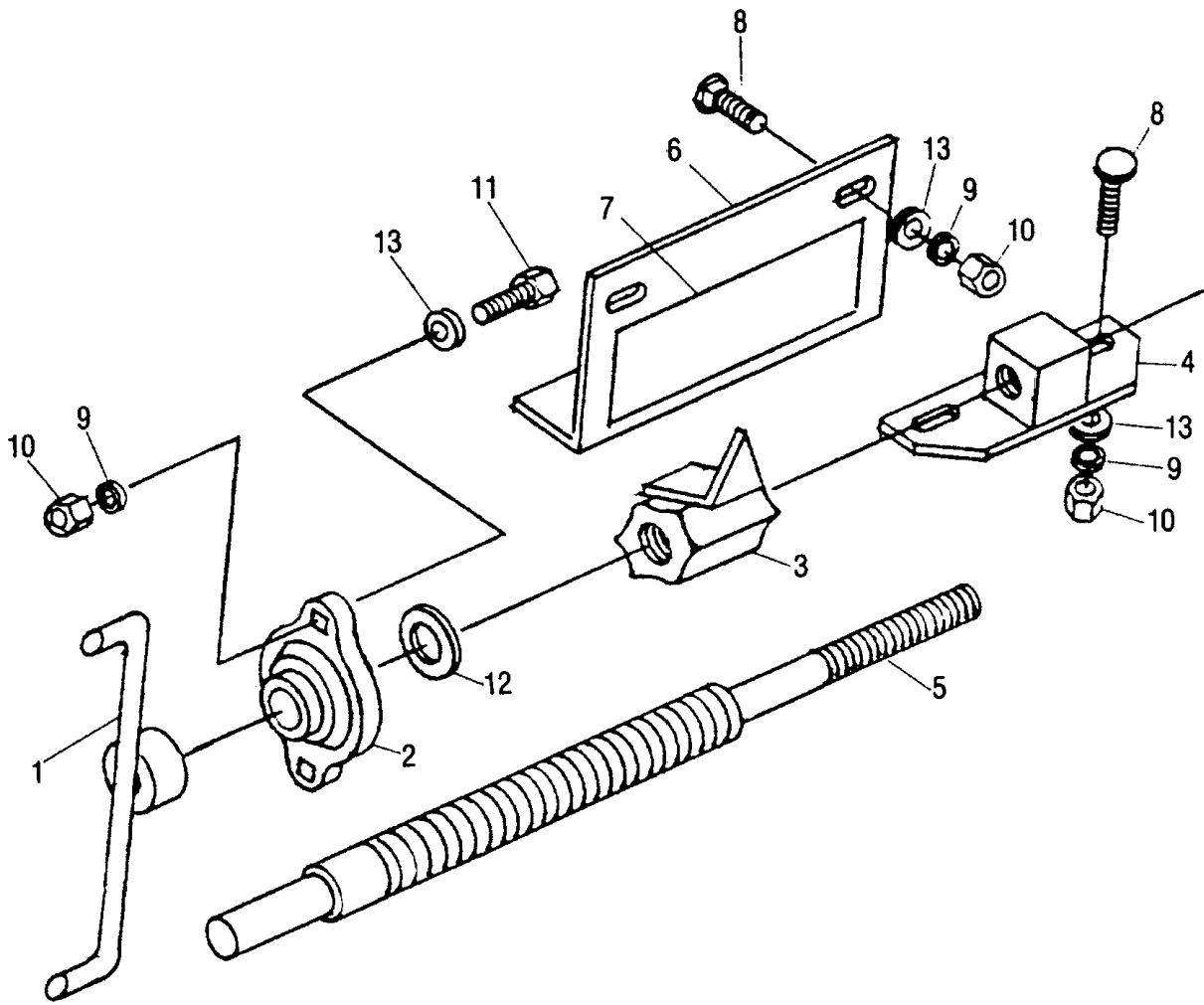
NATIVE GRASS KIT - TANK END DRIVE ASSEMBLY



NATIVE GRASS KIT - TANK END DRIVE ASSEMBLY

ITEM	PART	QUANTITY SINGLE AGITATOR	QUANTITY DUAL AGITATOR	DESCRIPTION
1	1100236	1		CHAIN\50NP\75
2	1100237		1	CHAIN\50NP\95
3	1100227	1	1	CHAIN\50NP\CL
4	2000016	1	1	BLOCK\WOOD\IDLER
5	8400240	1	1	WOOD BLOCK IDLER MOUNT
6	8400241	1	1	MNT\SPKT\IDLER
7	8400242	1	1	TANK SEALER PLATE
8	2000802	2	3	CLLR\ECC\1-1/4
9	8400070	2	3	BRACKET W/BEARING
10	8400438	1	1	DRIVE SHAFT STUB(GRASS)
11	1000029	2	2	SPKT\50B\14\1\1/4KWHRN
12	1000175	1	1	SPKT\50B\18\1\1/4KW
13	8400243	1		SHLD\AGTTR\SINGLE
14	8400246		1	SHLD\AGTTR\DOUBLE
15	6200014	2	2	KEY\SQ\1/4X1-1/4
16	8400239		1	SEALER PLATE & BRG COMPLETE
17	8400238		1	50-24 SPRKT W/SQ HOLE SLEEVE
18	4800167	6	9	SCR\CAP\ALN\3/8X1-1/4\NC
19	4800034	1	2	BOLT\HEX\3/8X1-1/2
20	4800003	1	2	BOLT\HEX\3/8X1
21	4800029	1	1	BOLT\HEX\3/8X2-1/2
22	5000019	11	16	WASH\LOCK\3/8
23	5000001	6	7	WASH\FLAT\3/8
24	4900002	11	16	NUT\HEX\3/8\NC
25	4800514	2	2	BOLT\HEX\3/8X2-3/4
29	8400074		1	SEALER PLATE

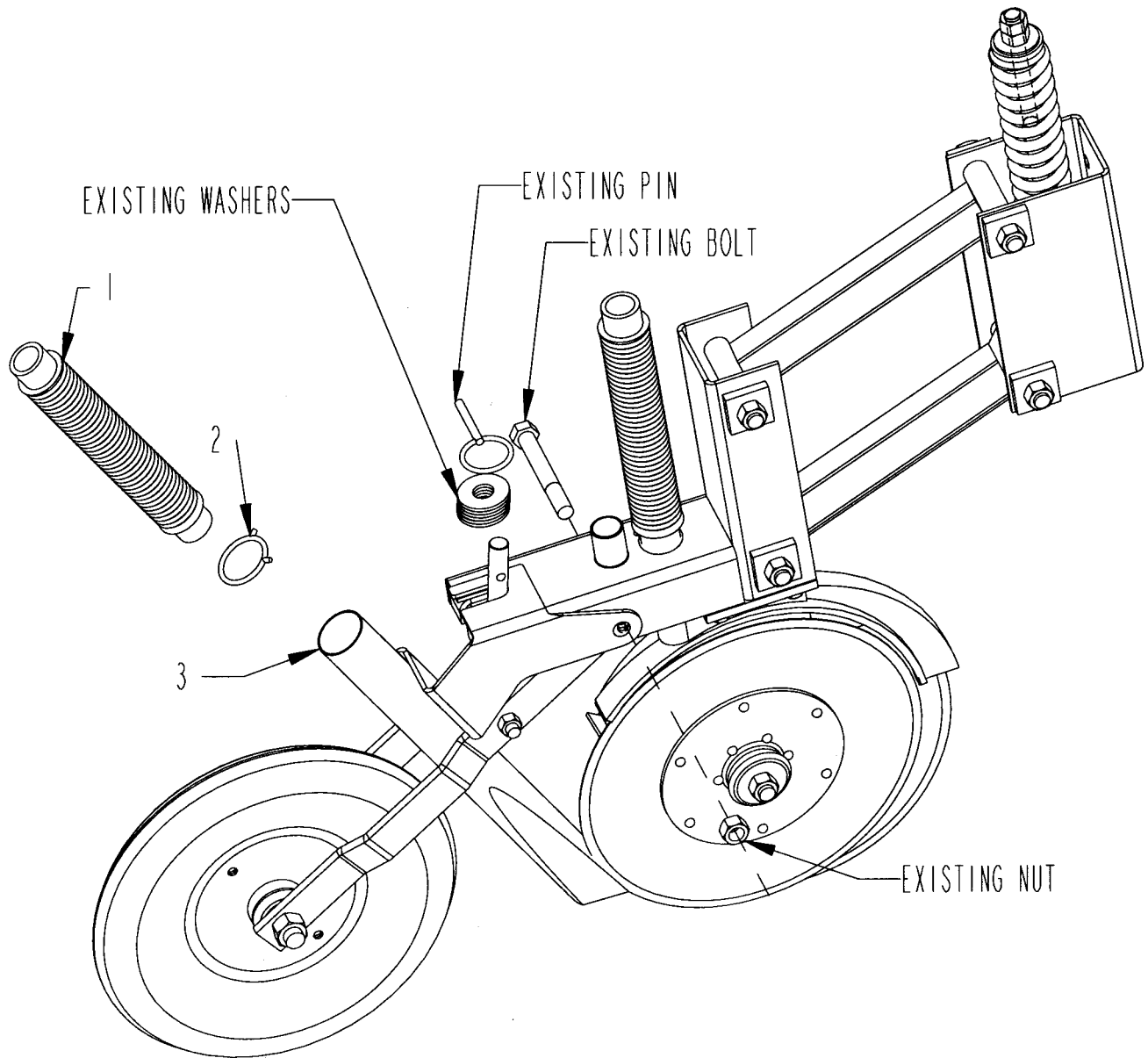
NATIVE GRASS KIT - SEED AND FERTILIZER SETTING ASSEMBLY



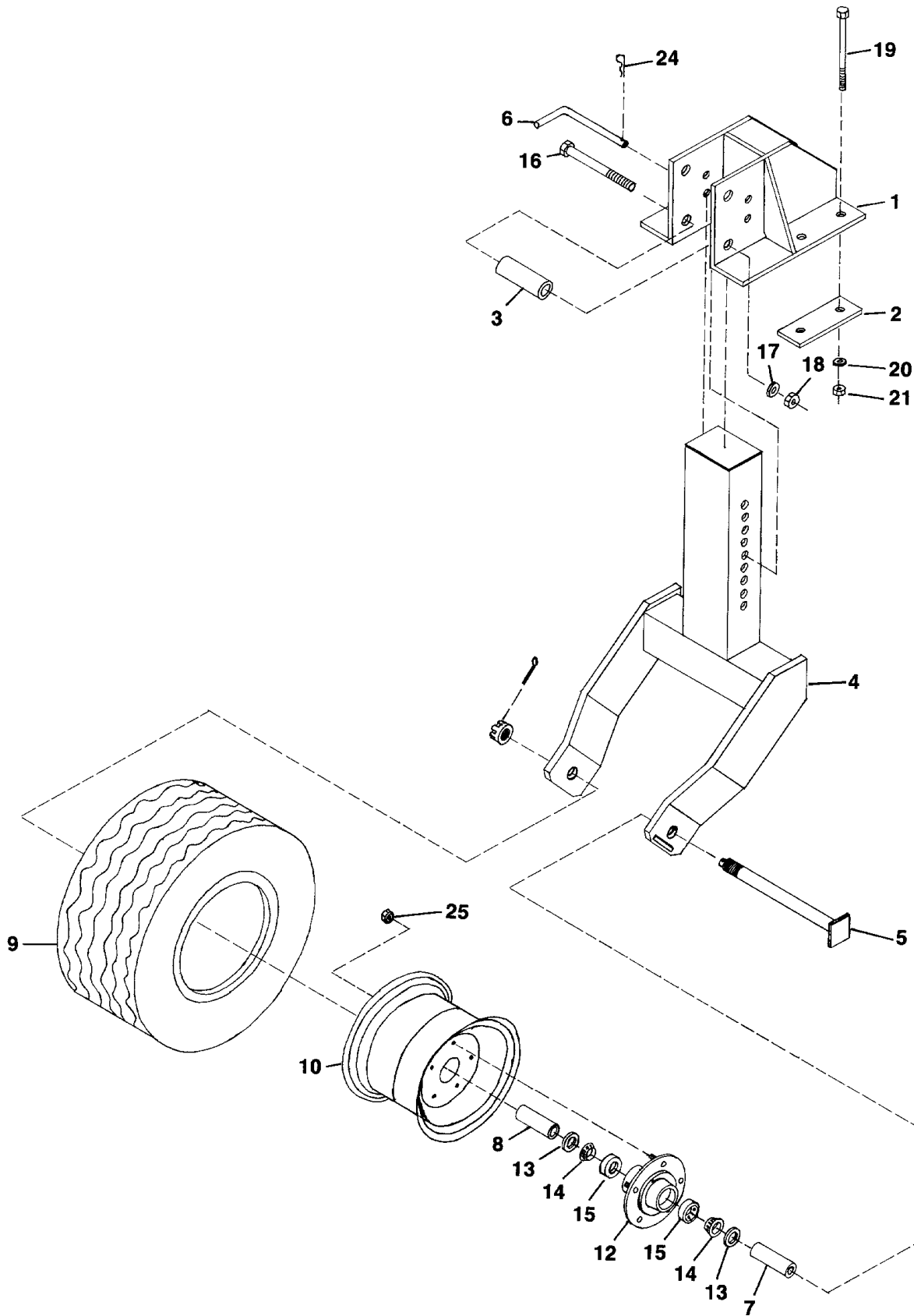
ITEM	PART NO.	QTY.	DESCRIPTION
1	8400060	2	CALIBRATION HANDLE
2	2000313	4	BRG\FLG\CAST\3/4\2 BOLT
3	7500071	2	CALIBRATION POINTER NUT
4	7500072	2	CALIBRATION CONTROL PL NUT
5	7500073	2	CALIBRATION SHAFT #6620
6	8400262	2	CALIBRATION SCALE PLATE
7	6500081	1	DECAL\INFO\CAL.SCALE\GRASS\107BOX
8	4800393	8	BOLT\HEX\5/16X7/8\GR8
9	5000022	12	WASH\LOCK\5/16
10	4900003	12	NUT\HEX\5/16\NC
11	4800013	4	BOLT\HEX\5/16X1
12	5000039	2	WASH\1-1/4ODX13/16IDX.110
13	5000023	12	WASH\FALT\5/16

NATIVE GRASS KIT - DROP TUBE AND HOSE

ITEM	PART NO.	QTY.	DESCRIPTION
1	7500168	1	CONVOLUTED HOSE
2	7500169	1	CLAMP\SDHOSE\2\CP-34
3	8400690	1	TUBE\DROP\OVERSIZED



GAUGE WHEELS



GAUGE WHEELS

ITEM	PART NO.	QTY.	DESCRIPTION
1	8400332	2	Gauge Wheel Mount Frame
2	8400333	4	Gauge Wheel Mount Strap
3	8400334	4	Bolt Sleeve
4	8400335	2	Wheel Folk
5	8400336	2	Spindle
6	8400337	2	Adjustment Handle
7	8400338	2	Short Spacer
8	8400339	2	Long Spacer
9 & 10	2600813		Tire & Rim Assembly
9	2600026	2	Tire 20.5 x 8.0 x 10
10	2600631	2	Wheel 10" - 5 Bolt
11	2900107	2	Hub (Complete Assembly) CMPT 5 Bolt
12	2900108	2	Hub CMPT 5 Bolt
13	2900031	4	Seal/Wheel Hub (R407)
14	2900032	4	Cone/Wheel Hub (44643)
15	2900033	4	Cup/Wheel Hub (44610)
16	4800248	4	3/4" x 6" Hex Bolt
17	5000012	4	3/4" Lock Washer
18	4900004	4	3/4" Nut
19	4800144	8	5/8" x 6-1/2" Hex Bolt
20	5000003	8	5/8" Lock Washer
21	4900005	8	5/8" Nut
22	4800157	2	3/16" x 2" Cotter Pin
23	4900055	2	1" Castle Nut
24	4800107	2	1/8" Hair Pin
25	2500710	10	1/2" - 2 60° Cone Wheel Nut
26	8400348		Gauge Wheel Kit Complete



